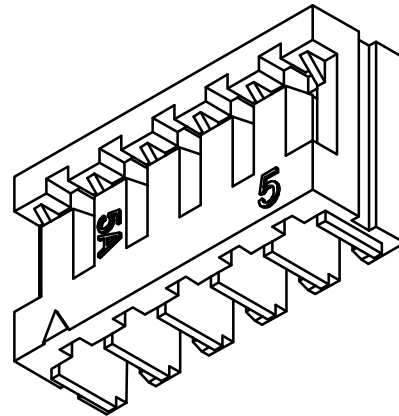
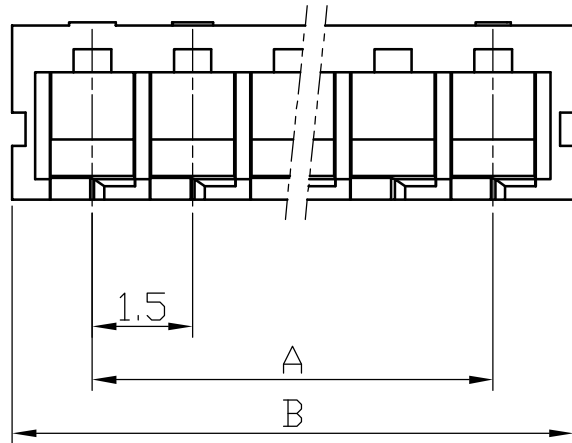
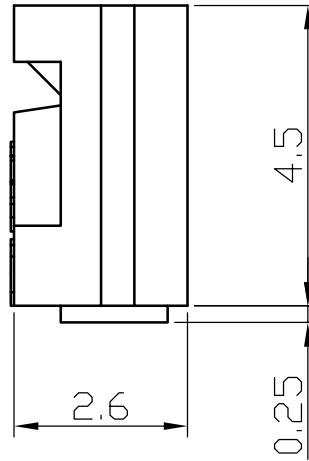
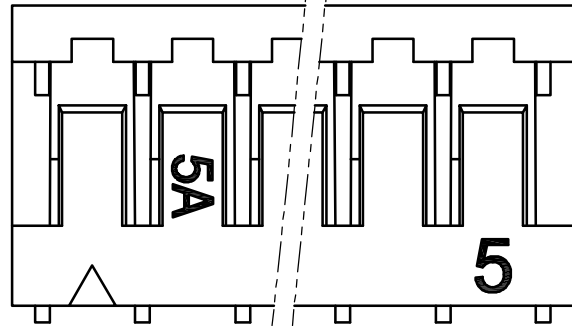


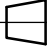


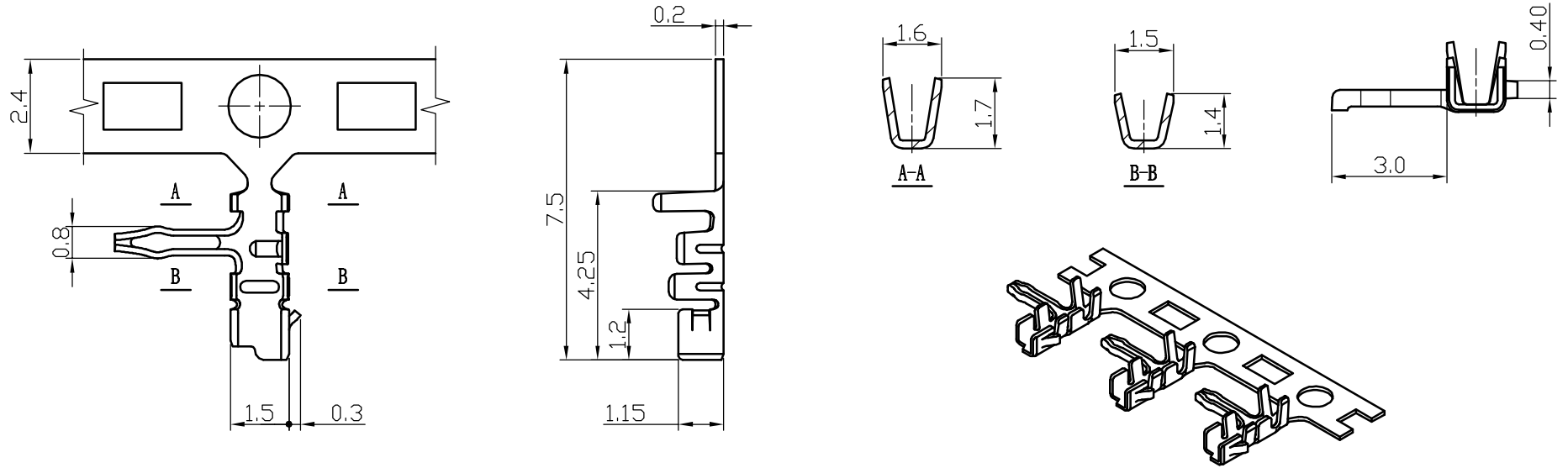
JC15 Type Housing




Poles	Part No.		Dimensions	
			A	B
2	BI1502-H02	JC15-2Y	1.5	3.9
3	BI1502-H03	JC15-3Y	3	5.4
4	BI1502-H04	JC15-4Y	4.5	6.9
5	BI1502-H05	JC15-5Y	6	8.4
6	BI1502-H06	JC15-6Y	7.5	9.9
7	BI1502-H07	JC15-7Y	9	11.4
8	BI1502-H08	JC15-8Y	10.5	12.9
9	BI1502-H09	JC15-9Y	12	14.4
10	BI1502-H10	JC15-10Y	13.5	15.9
11	BI1502-H11	JC15-11Y	15	17.4
-	-	-	-	-
20	BI1502-H20	JC15-20Y	28.5	30.9

1	Housing	PA66(UL94V-0/V-2)	1	White					
No.	Item/Material No.	Material	QTY	Remark					
Unmarked Tolerance		 Yueqing Hegxing Electronics Co., Ltd							
X. ° ±3° X. X° ±0.5°									
>0-3	>3-18	>18-50	>50-120	Unit	Scale	Design Unit	Size	Part No.	 
±0.12	±0.15	±0.3	±0.5	mm	—	Metric	A4		
Draw	Review	Approve	Material	Drawing No.			Part No.		
				Item	JC15-NY				

JC15 Type Terminal



1	Terminal	Phospher Bronze	1	
No.	Item/Material No.	Material	QTY	Remark
Unmarked Tolerance		 Yueqing Hegxing Electronics Co., Ltd		
X. ° ±3° X. X° ±0.5°				
>0-3	>3-18	>18-50	>50-120	
±0.12	±0.15	±0.3	±0.5	
Unit	Scale	Design Unit	Size	Part No.
mm	—	Metric	A4	
Draw	Review	Approve	Material	Drawing No.
				Part No.
			Item	JC15-T11