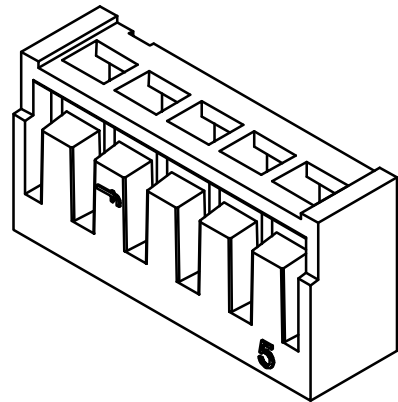
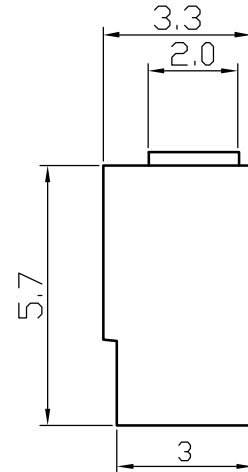
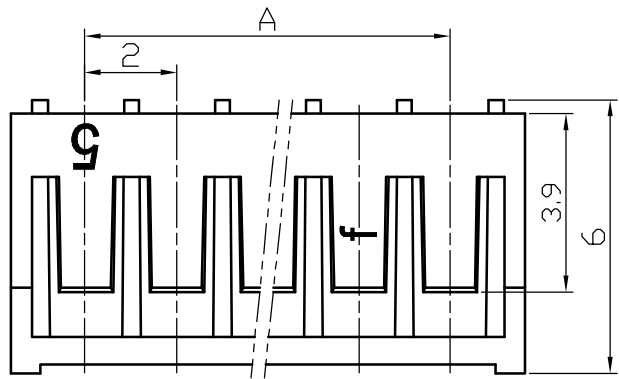
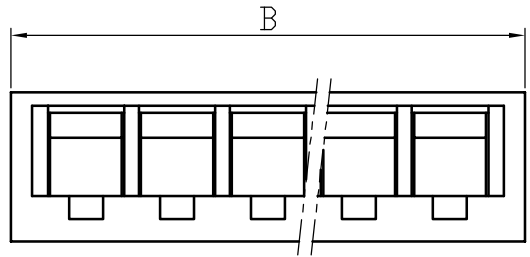


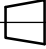


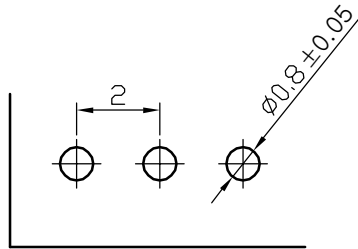
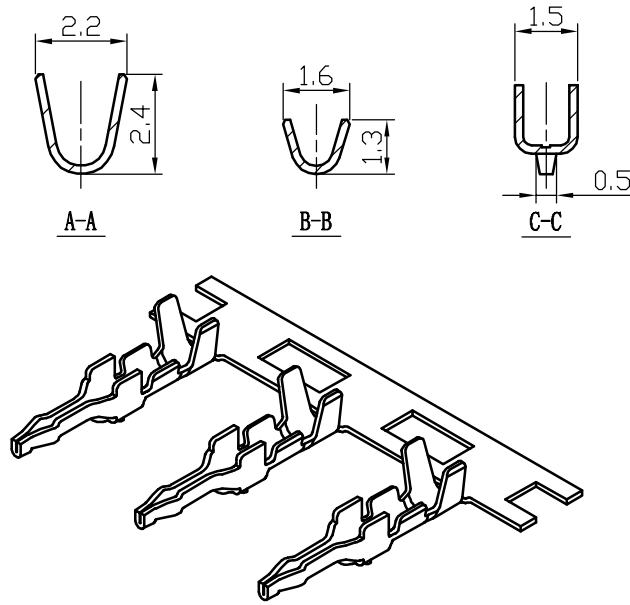
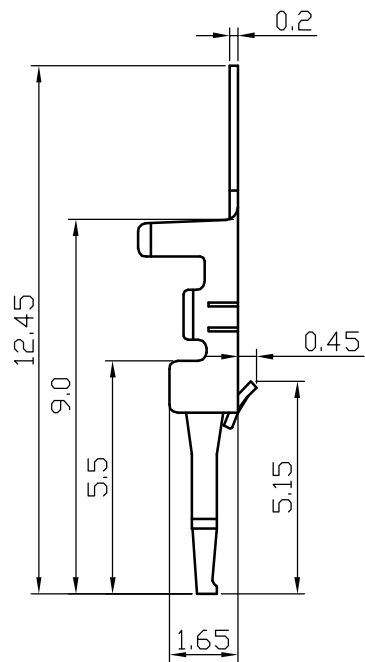
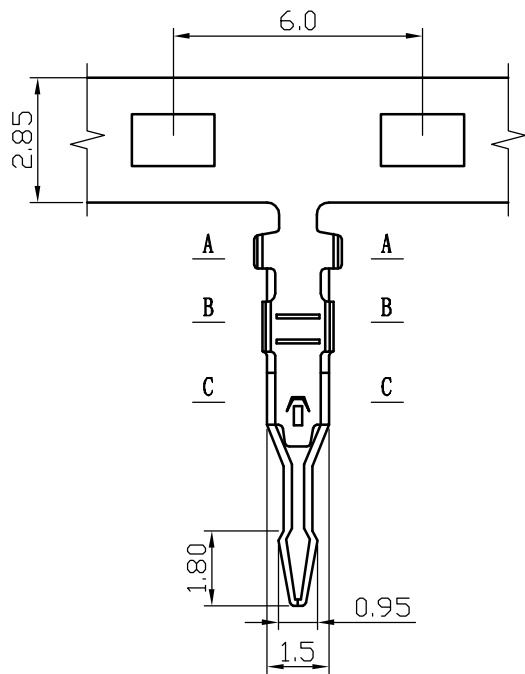
SAN Type Housing




Poles	Part No.		Dimensions	
			A	B
2	BI2001-H02	SAN-2Y	2	5.3
3	BI2001-H03	SAN-3Y	4	7.3
4	BI2001-H04	SAN-4Y	6	9.3
5	BI2001-H05	SAN-5Y	8	11.3
6	BI2001-H06	SAN-6Y	10	13.3
7	BI2001-H07	SAN-7Y	12	15.3
8	BI2001-H08	SAN-8Y	14	17.3
9	BI2001-H09	SAN-9Y	16	19.3
10	BI2001-H10	SAN-10Y	18	21.3
11	BI2001-H11	SAN-11Y	20	23.3
-	-	-	-	-
16	BI2001-H16	SAN-16Y	30	33.3

1	Housing	PA66(UL94V-0/V-2)	1	White					
No.	Item/Material No.	Material	QTY	Remark					
Unmarked Tolerance		 Yueqing Hegxing Electronics Co., Ltd							
X. ° ±3° X. X° ±0.5°									
>0-3	>3-18	>18-50	>50-120	Unit	Scale	Design Unit	Size	Part No.	 
±0.12	±0.15	±0.3	±0.5	mm	—	Metric	A4		
Draw	Review	Approve	Material	Drawing No.	Part No.				
				Item	SAN-NY				

SAN Type Terminal



PCB Layout

1	Terminal	Phosphor Bronze	1	
No.	Item/Material No.	Material	QTY	Remark
Unmarked Tolerance		 Yueqing Hegxing Electronics Co., Ltd		
X. ° ±3° X. X. ° ±0.5°				
>0-3	>3-18	>18-50	>50-120	
		Unit	Scale	Design Unit
		mm	—	Metric
		Size	A4	
Draw	Review	Approve	Material	Drawing No.
			Item	SAN-T