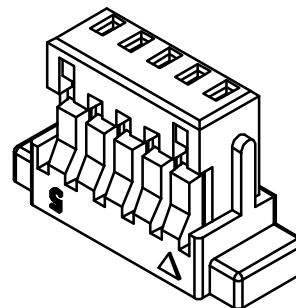
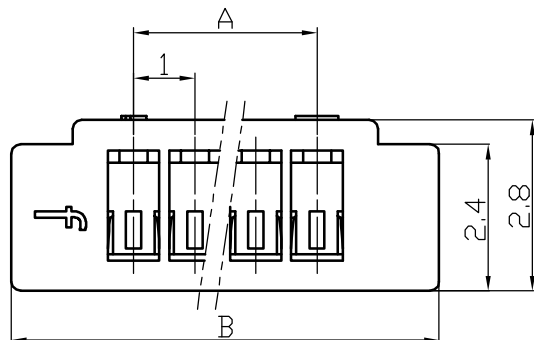
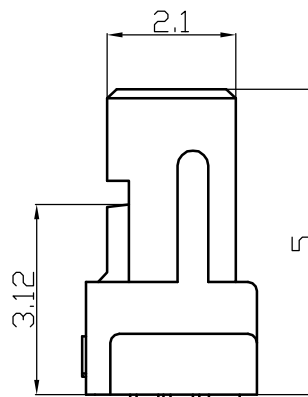
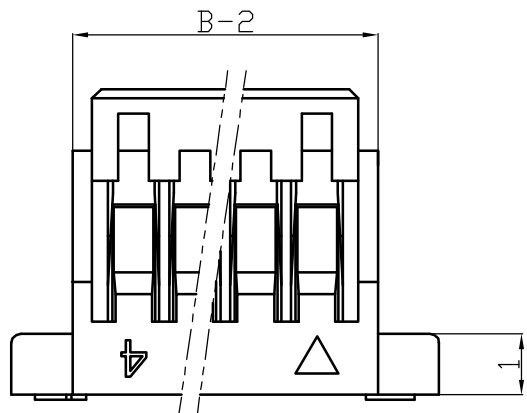





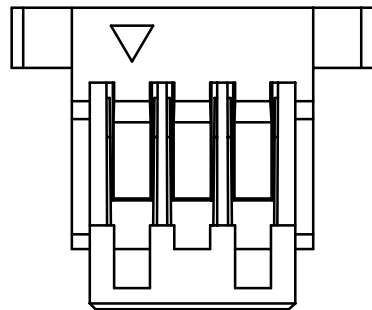
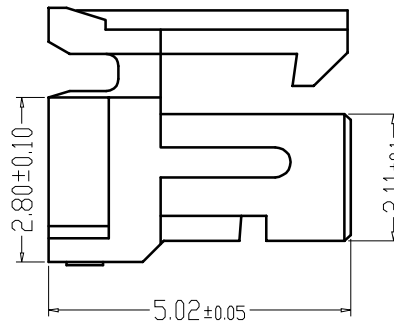
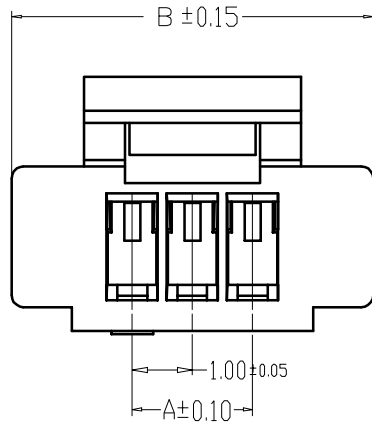
SH1.0 Type Connector




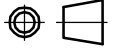
Poles	Part No.		Dimensions	
			A	B
2	WB1001-H02	SH1.0-2Y	1	3
3	WB1001-H03	SH1.0-3Y	2	4
4	WB1001-H04	SH1.0-4Y	3	5
5	WB1001-H05	SH1.0-5Y	4	6
6	WB1001-H06	SH1.0-6Y	5	7
7	WB1001-H07	SH1.0-7Y	6	8
8	WB1001-H08	SH1.0-8Y	7	9
9	WB1001-H09	SH1.0-9Y	8	10
10	WB1001-H10	SH1.0-10Y	9	11
11	WB1001-H11	SH1.0-11Y	10	12
-	-	-	-	-
30	WB1001-H30	SH1.0-30Y	29	32

1	Housing	PBT(UL94V-0/-2)	1	White					
No.	Item/Material No.	Material	QTY	Remark					
Unmarked Tolerance		 Yueqing Hegxing Electronics Co., Ltd							
X. ° ±3° X. X. ° ±0.5°									
>0-3	>3-18	>18-50	>50-120	Unit	Scale	Design Unit	Size	Part No.	 
±0.12	±0.15	±0.3	±0.5	mm	—	Metric	A4		
Draw	Review	Approve	Material	Drawing No.	Part No.				
				Item	SH1.0-NY				

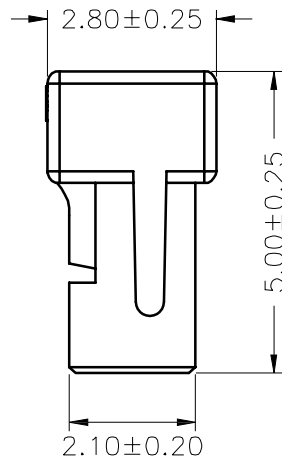
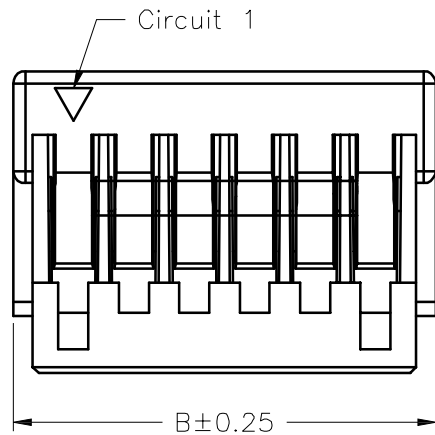
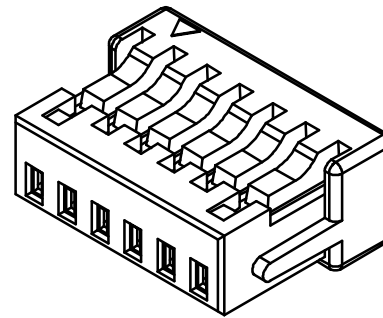
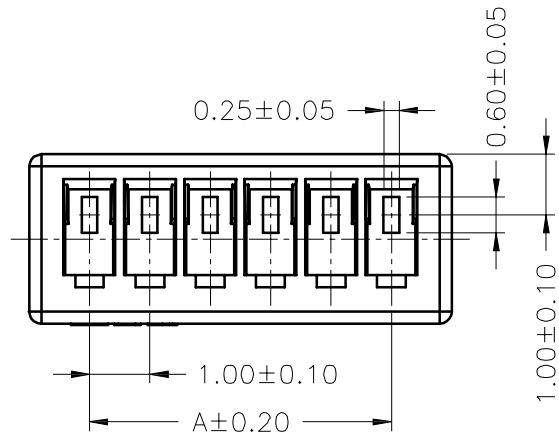
SH1.0 Type Connector






Poles	Part No.		Dimensions	
			A	B
2	WB1001-HC02	SH1.0-2Y with lock	1	5
3	WB1001-HC03	SH1.0-3Y with lock	2	6
4	WB1001-HC04	SH1.0-4Y with lock	3	7
5	WB1001-HC05	SH1.0-5Y with lock	4	8
6	WB1001-HC06	SH1.0-6Y with lock	5	9
7	WB1001-HC07	SH1.0-7Y with lock	6	10
8	WB1001-HC08	SH1.0-8Y with lock	7	11
9	WB1001-HC09	SH1.0-9Y with lock	8	12

1	Housing	PA66 UL94V-0	1	White					
No.	Item/Material No.	Material	QTY	Remark					
Unmarked Tolerance		 Yueqing Hegxing Electronics Co., Ltd							
X. ° ±3° X. X° ±0.5°									
>0-3	>3-18	>18-50	>50-120	Unit	Scale	Design Unit	Size	Part No.	
±0.12	±0.15	±0.3	±0.5	mm	—	Metric	A4		
Draw	Review	Approve	Material	Drawing No.	Part No.				
				Item	SH1.0-NY with lock (205)				

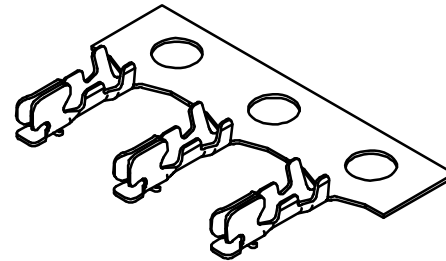
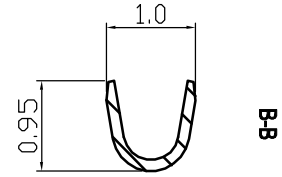
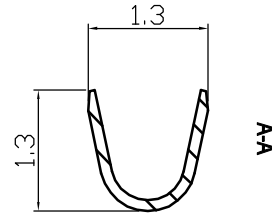
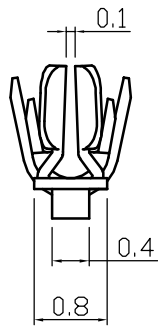
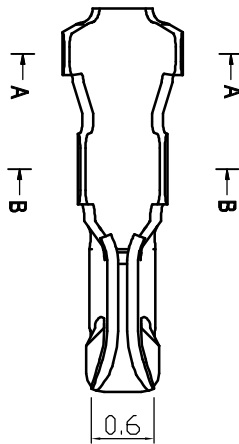
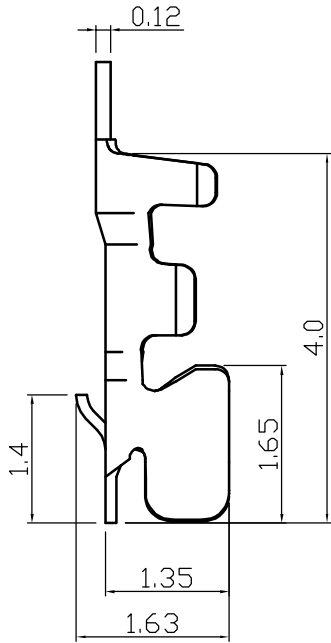
SH1.0 Type Connector




Poles	Part No.		Dimensions	
			A	B
2	WB1001-H02	SH1.0-2Y without flange	1	3
3	WB1001-H03	SH1.0-3Y without flange	2	4
4	WB1001-H04	SH1.0-4Y without flange	3	5
5	WB1001-H05	SH1.0-5Y without flange	4	6
6	WB1001-H06	SH1.0-6Y without flange	5	7
7	WB1001-H07	SH1.0-7Y without flange	6	8
8	WB1001-H08	SH1.0-8Y without flange	7	9
9	WB1001-H09	SH1.0-9Y without flange	8	10
10	WB1001-H10	SH1.0-10Y without flange	9	11
11	WB1001-H11	SH1.0-11Y without flange	10	12
-	-	-	-	-
20	WB1001-H20	SH1.0-20Y without flange	19	21

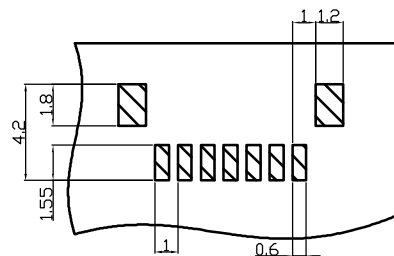
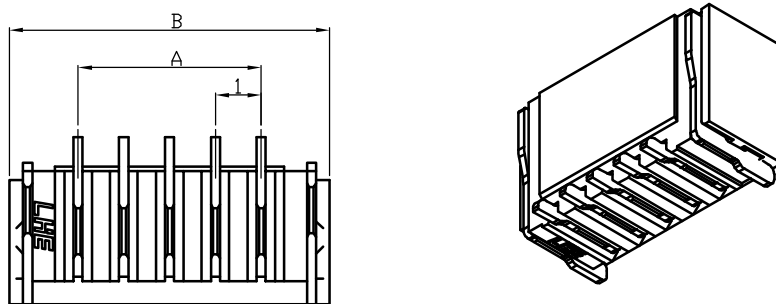
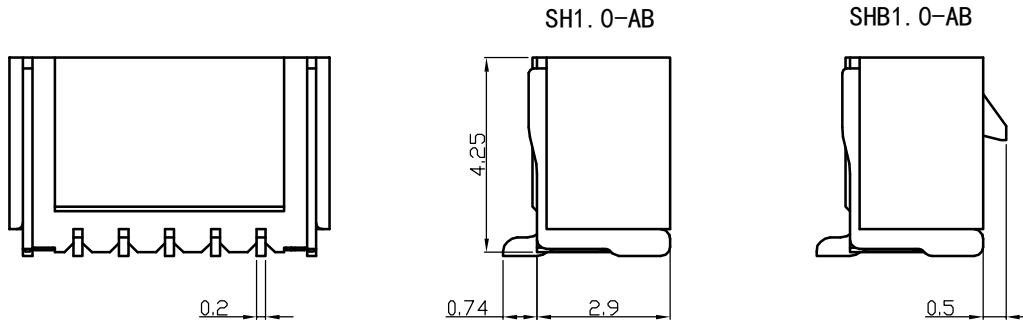
1	Housing	PBT(UL94V-0/-2)	1	White					
No.	Item/Material No.	Material	QTY	Remark					
Unmarked Tolerance		 Yueqing Hegxing Electronics Co., Ltd							
X. ° ±3°	X. X° ±0.5°								
>0-3	>3-18	>18-50	>50-120	Unit	Scale	Design Unit	Size	Part No.	 
±0.12	±0.15	±0.3	±0.5	mm	—	Metric	A4		
Draw	Review	Approve	Material	Drawing No.			Part No.		
				Item	SH1.0-NY without flange (158)				

SH1.0 Type Terminal



1	WB1001-TP2	Phosphor Bronze	1	
No.	Item/Material No.	Material	QTY	Remark
Unmarked Tolerance		 Yueqing Hegxing Electronics Co., Ltd		
X. ° ±3° X. X° ±0.5°				
>0-3	>3-18	>18-50	>50-120	
±0.12	±0.15	±0.3	±0.5	
Unit	Scale	Design Unit	Size	Part No.
mm	—	Metric	A4	
Draw	Review	Approve	Material	Drawing No.
				Part No.
			Item	SH1.0-T11

SH1.0 Type Connector



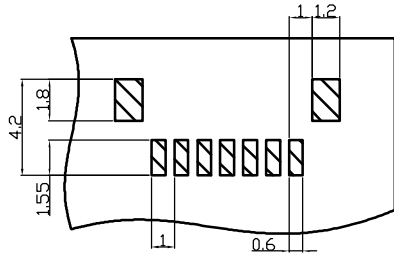
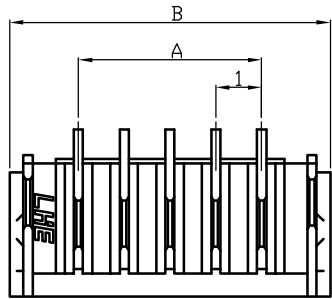
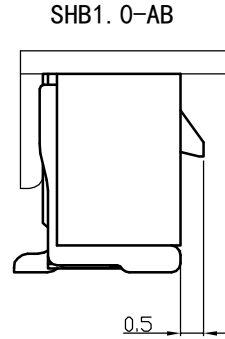
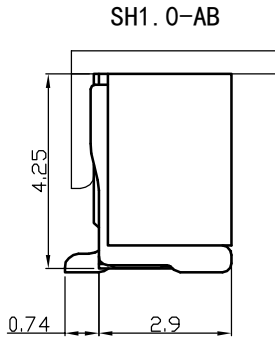
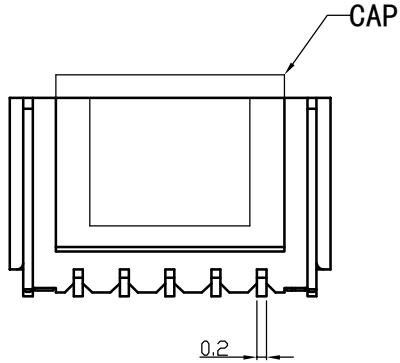
PCB Layout

Poles	Part No.		Dimensions	
			A	B
2	WB1001-STB02	SH1.0-2AB	1	4
3	WB1001-STB03	SH1.0-3AB	2	5
4	WB1001-STB04	SH1.0-4AB	3	6
5	WB1001-STB05	SH1.0-5AB	4	7
6	WB1001-STB06	SH1.0-6AB	5	8
7	WB1001-STB07	SH1.0-7AB	6	9
8	WB1001-STB08	SH1.0-8AB	7	10
9	WB1001-STB09	SH1.0-9AB	8	11
10	WB1001-STB10	SH1.0-10AB	9	12
11	WB1001-STB11	SH1.0-11AB	10	13
-	-	-	-	-
30	WB1001-STB30	SH1.0-30AB	29	32

2	WB1001-STB02	SHB1.0-2AB	1	4
3	WB1001-STB03	SHB1.0-3AB	2	5
4	WB1001-STB04	SHB1.0-4AB	3	6
5	WB1001-STB05	SHB1.0-5AB	4	7
6	WB1001-STB06	SHB1.0-6AB	5	8
7	WB1001-STB07	SHB1.0-7AB	6	9
8	WB1001-STB08	SHB1.0-8AB	7	10
9	WB1001-STB09	SHB1.0-9AB	8	11
10	WB1001-STB10	SHB1.0-10AB	9	12
11	WB1001-STB11	SHB1.0-11AB	10	13
-	-	-	-	-
30	WB1001-STB30	SHB1.0-30AB	29	32

3	Soldering Lug	Phosthor Bronze	2						
2	Pin	Phosthor Bronze	N						
1	Housing	LCP(UL94V-0)	1						
No.	Item/Material No.	Material	QTY	Remark					
Unmarked Tolerance		Yueqing Hegxing Electronics Co., Ltd							
X. ° ±3°	X. X° ±0.5°								
>0-3	>3-18	>18-50	>50-120	Unit	Scale	Design Unit	Size	Part No.	
±0.12	±0.15	±0.3	±0.5	mm	—	Metric	A4		
Draw	Review	Approve	Material	Drawing No.	Part No.				
				Item	SH1.0-NAB				

SH1.0 Type Connector



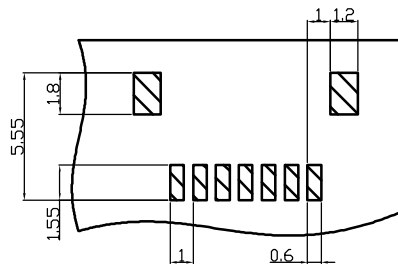
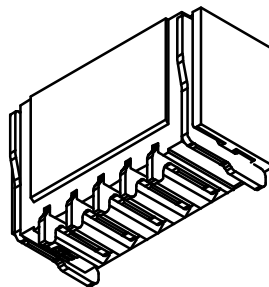
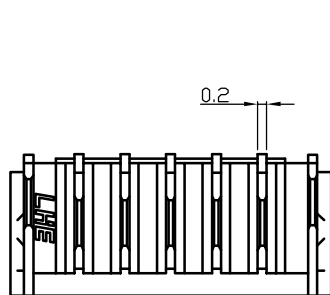
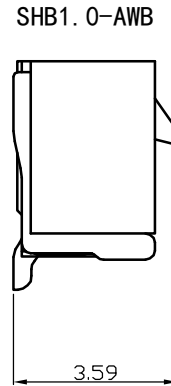
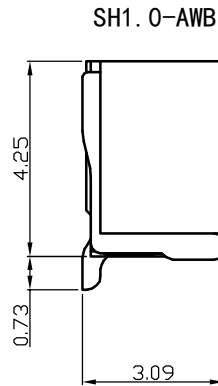
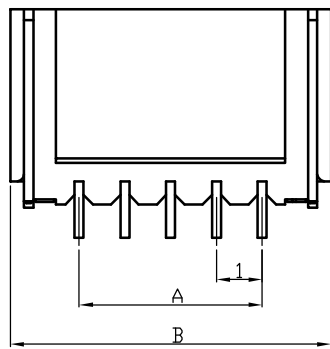
PCB Layout

Poles	Part No.		Dimensions	
	A	B	A	B
2	WB1001-STB02	SH1.0-2AB	1	4
3	WB1001-STB03	SH1.0-3AB	2	5
4	WB1001-STB04	SH1.0-4AB	3	6
5	WB1001-STB05	SH1.0-5AB	4	7
6	WB1001-STB06	SH1.0-6AB	5	8
7	WB1001-STB07	SH1.0-7AB	6	9
8	WB1001-STB08	SH1.0-8AB	7	10
9	WB1001-STB09	SH1.0-9AB	8	11
10	WB1001-STB10	SH1.0-10AB	9	12
11	WB1001-STB11	SH1.0-11AB	10	13
-	-	-	-	-
30	WB1001-STB30	SH1.0-30AB	29	32

2	WB1001-STB02	SHB1.0-2AB	1	4
3	WB1001-STB03	SHB1.0-3AB	2	5
4	WB1001-STB04	SHB1.0-4AB	3	6
5	WB1001-STB05	SHB1.0-5AB	4	7
6	WB1001-STB06	SHB1.0-6AB	5	8
7	WB1001-STB07	SHB1.0-7AB	6	9
8	WB1001-STB08	SHB1.0-8AB	7	10
9	WB1001-STB09	SHB1.0-9AB	8	11
10	WB1001-STB10	SHB1.0-10AB	9	12
11	WB1001-STB11	SHB1.0-11AB	10	13
-	-	-	-	-
30	WB1001-STB30	SHB1.0-30AB	29	32

3	Soldering Lug	Phosthor Bronze	2						
2	Pin	Phosthor Bronze	N						
1	Housing	LCP(UL94V-0)	1						
No.	Item/Material No.	Material	QTY	Remark					
Unmarked Tolerance		Yueqing Hegxing Electronics Co., Ltd							
X.° ±3°	X.X° ±0.5°								
>0-3	>3-18	>18-50	>50-120	Unit	Scale	Design Unit	Size	Part No.	
±0.12	±0.15	±0.3	±0.5	mm	—	Metric	A4		
Draw	Review	Approve	Material	Drawing No.	Part No.				
				Item	SH1.0-NAB with cap				

SH1.0 Type Connector



PCB Layout

Poles	Part No.		Dimensions	
			A	B
2	WB1001-SS02	SH1.0-2AWB	1	4
3	WB1001-SS03	SH1.0-3AWB	2	5
4	WB1001-SS04	SH1.0-4AWB	3	6
5	WB1001-SS05	SH1.0-5AWB	4	7
6	WB1001-SS06	SH1.0-6AWB	5	8
7	WB1001-SS07	SH1.0-7AWB	6	9
8	WB1001-SS08	SH1.0-8AWB	7	10
9	WB1001-SS09	SH1.0-9AWB	8	11
10	WB1001-SS10	SH1.0-10AWB	9	12
11	WB1001-SS11	SH1.0-11AWB	10	13
-	-	-	-	-
30	WB1001-SS30	SH1.0-30AWB	29	32

2	WB1001-SSB02	SHB1.0-2AWB	1	4
3	WB1001-SSB03	SHB1.0-3AWB	2	5
4	WB1001-SSB04	SHB1.0-4AWB	3	6
5	WB1001-SSB05	SHB1.0-5AWB	4	7
6	WB1001-SSB06	SHB1.0-6AWB	5	8
7	WB1001-SSB07	SHB1.0-7AWB	6	9
8	WB1001-SSB08	SHB1.0-8AWB	7	10
9	WB1001-SSB09	SHB1.0-9AWB	8	11
10	WB1001-SSB10	SHB1.0-10AWB	9	12
11	WB1001-SSB11	SHB1.0-11AWB	10	13
-	-	-	-	-
30	WB1001-SSB30	SHB1.0-30AWB	29	32

3	Soldering Lug	Phosthor Bronze	2						
2	Pin	Phosthor Bronze	N						
1	Housing	LCP(UL94V-0)	1						
No.	Item/Material No.	Material	QTY	Remark					
Unmarked Tolerance		 Yueqing Hegxing Electronics Co., Ltd							
X.° ±3° X.X° ±0.5°									
>0-3	>3-18	>18-50	>50-120	Unit	Scale	Design Unit	Size	Part No.	 
±0.12	±0.15	±0.3	±0.5	mm	—	Metric	A4		
Draw	Review	Approve	Material	Drawing No.	Part No.				
				Item	SH1.0-NAWB				