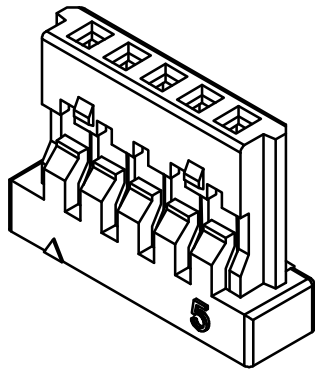
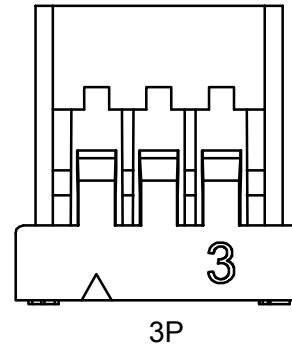
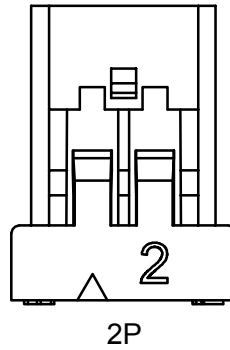
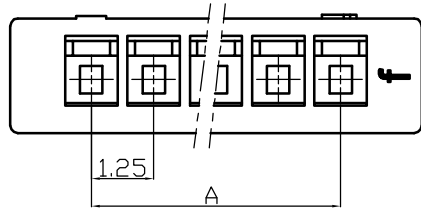
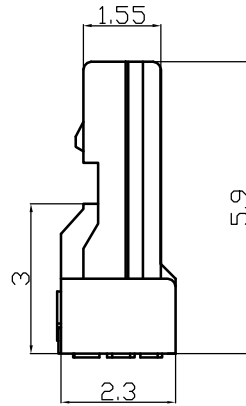
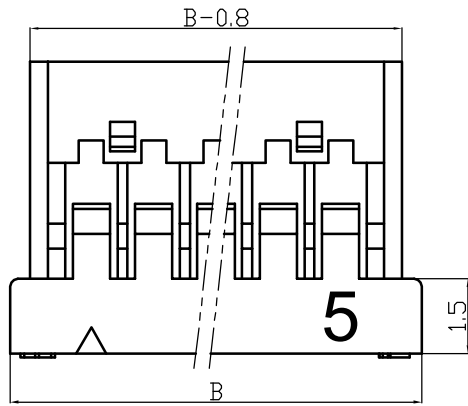


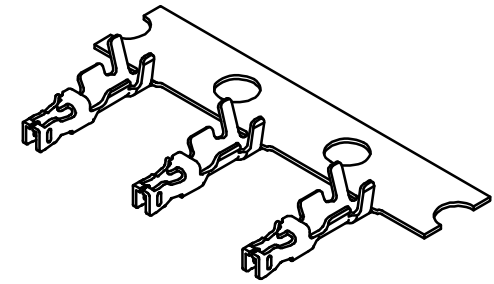
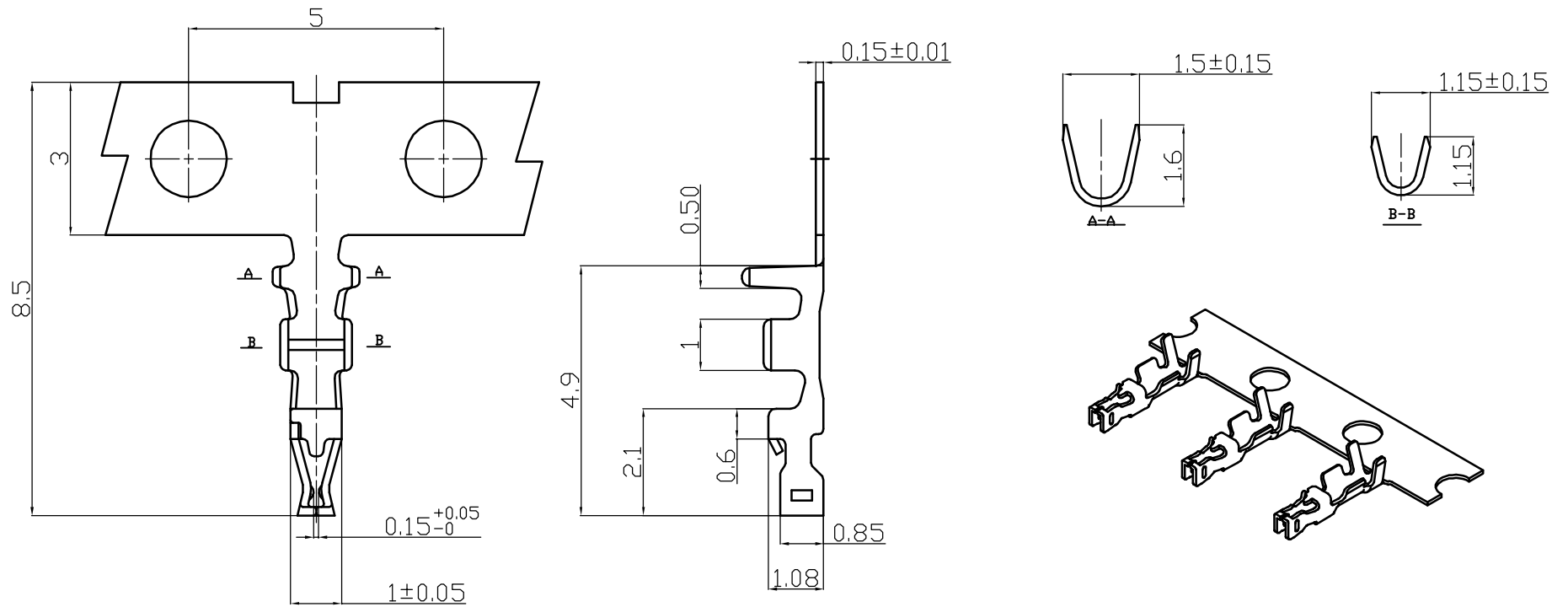
DF14 Type Housing




Poles	Part No.		Dimensions	
			A	B
2	WB1252-H02	DF14-2Y	1.25	4.5
3	WB1252-H03	DF14-3Y	2.5	5.75
4	WB1252-H04	DF14-4Y	3.75	7
5	WB1252-H05	DF14-5Y	5	8.25
6	WB1252-H06	DF14-6Y	6.25	9.5
7	WB1252-H07	DF14-7Y	7.5	10.75
8	WB1252-H08	DF14-8Y	8.75	12
9	WB1252-H09	DF14-9Y	10	13.25
10	WB1252-H10	DF14-10Y	11.25	14.5
11	WB1252-H11	DF14-11Y	12.5	15.75
-	-	-	-	-
30	WB1252-H30	DF14-30Y	36.25	39.5

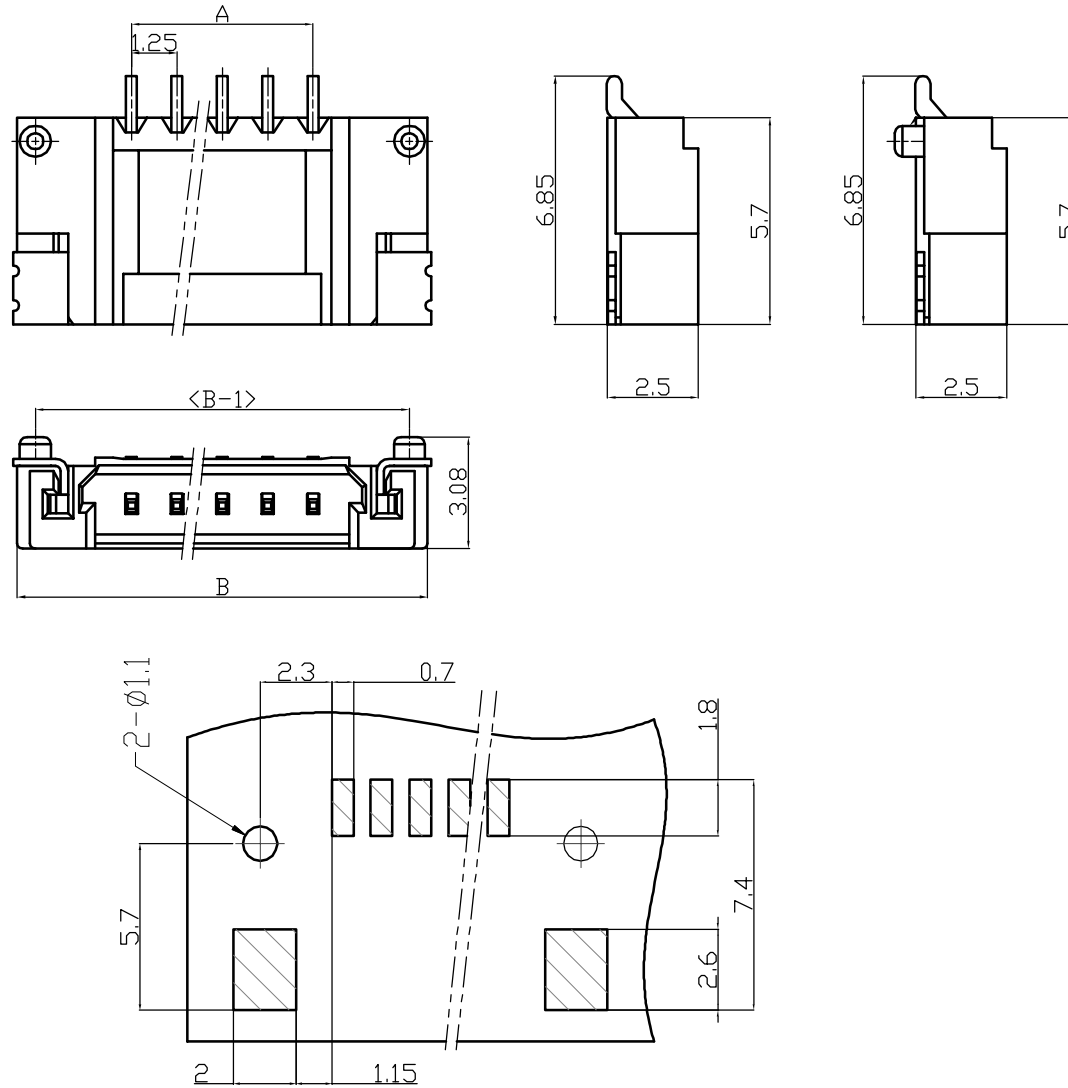
1	Housing	PA66 (UL94V-0/V-2)	1						
No.	Item/Material No.	Material	QTY	Remark					
Unmarked Tolerance		Yueqing Hegxing Electronics Co., Ltd							
X. ° ±3° X. X° ±0.5°									
>0-3	>3-18	>18-50	>50-120	Unit	Scale	Design Unit	Size	Part No.	
±0.12	±0.15	±0.3	±0.5	mm	—	Metric	A4		
Draw	Review	Approve	Material	Drawing No.	Part No.				
				Item	DF14-NY				

DF14 Type Terminal



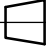


1	WB1252-TP2	Phospher Bronze	1	
No.	Item/Material No.	Material	QTY	Remark
Unmarked Tolerance		 Yueqing Hegxing Electronics Co., Ltd		
X. ° ±3° X. X. ° ±0.5°				
>0-3	>3-18	>18-50	>50-120	
±0.12	±0.15	±0.3	±0.5	
Unit	Scale	Design Unit	Size	Part No.
mm	—	Metric	A4	
Draw	Review	Approve	Material	Drawing No.
			Item	DF14-T-88

DF14 Type Wafer



Poles	Part No.		Dimensions	
			A	B
2	WB1252-SS02	DF14-2AWB	1.25	7.55
3	WB1252-SS03	DF14-3AWB	2.5	8.8
4	WB1252-SS04	DF14-4AWB	3.75	10.05
5	WB1252-SS05	DF14-5AWB	5	11.3
6	WB1252-SS06	DF14-6AWB	6.25	12.55
7	WB1252-SS07	DF14-7AWB	7.5	13.8
8	WB1252-SS08	DF14-8AWB	8.75	15.05
9	WB1252-SS09	DF14-9AWB	10	16.3
10	WB1252-SS10	DF14-10AWB	11.25	17.55
11	WB1252-SS11	DF14-11AWB	12.5	18.8
-	-	-	-	-
30	WB1252-SS30	DF14-30AWB	36.25	42.55

3	Soldering Lug	Phosthor Bronze	2						
2	Pin	Phosthor Bronze	N						
1	Wafer	PA9T (UL94V-0)	1						
No.	Item/Material No.	Material	QTY	Remark					
Unmarked Tolerance		 Yueqing Hegxing Electronics Co., Ltd							
X. ° ±3° X. X. ° ±0.5°									
>0-3	>3-18	>18-50	>50-120	Unit	Scale	Design Unit	Size	Part No.	 
±0.12	±0.15	±0.3	±0.5	mm	—	Metric	A4		
Draw	Review	Approve	Material	Drawing No.	Part No.				
				Item	DF14-NAWB-80				