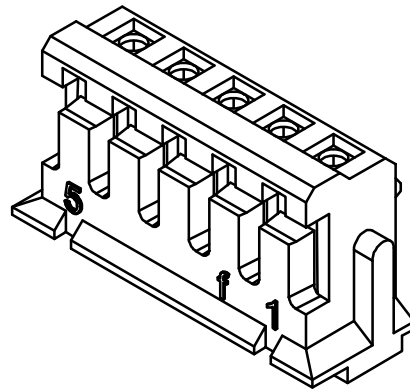
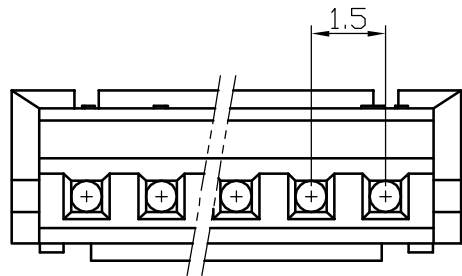
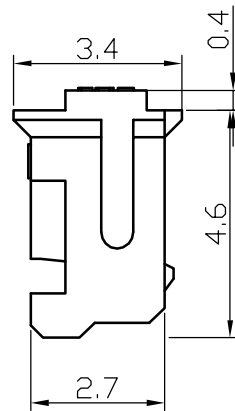
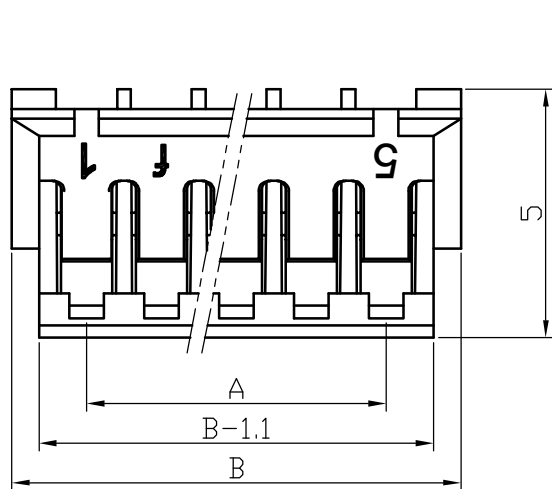





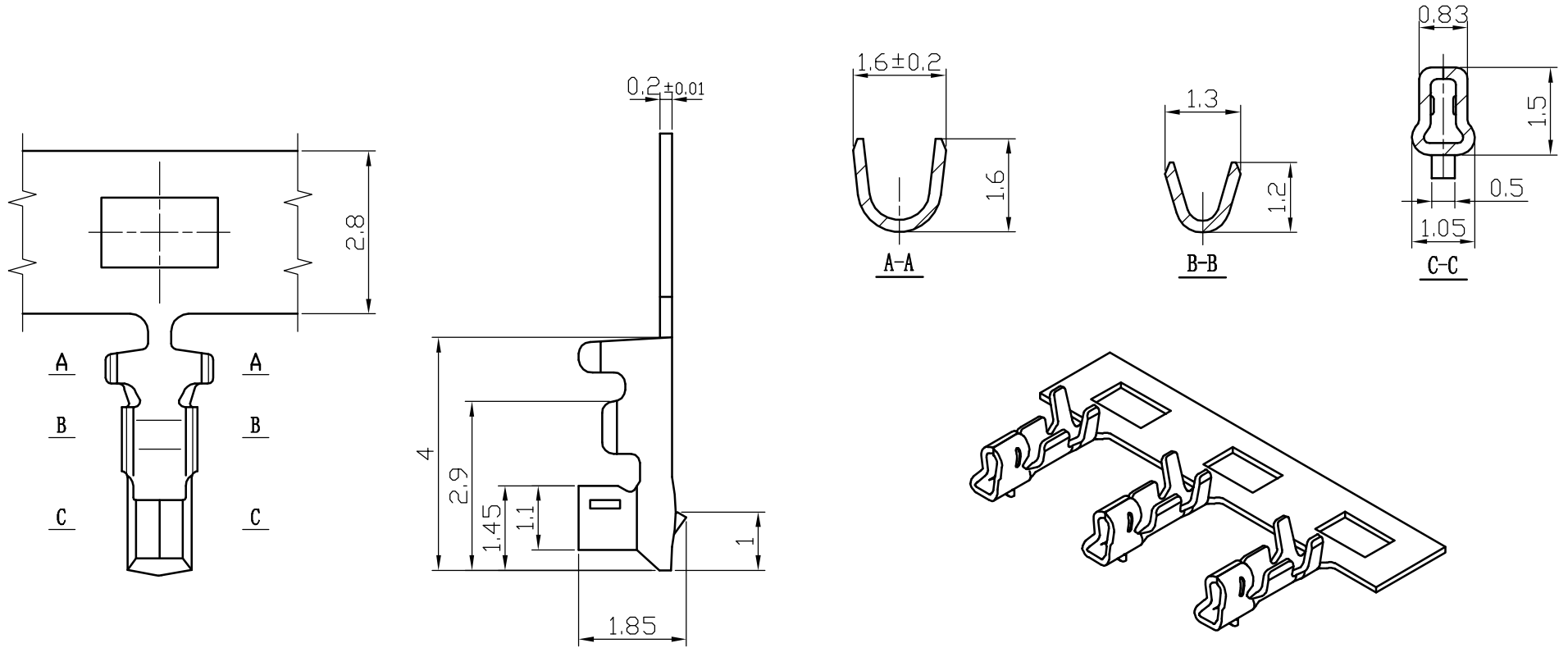
ZH Type Housing




Poles	Part No.		Dimensions	
			A	B
2	WB1501-H02	ZH-2Y	1.5	4.5
3	WB1501-H03	ZH-3Y	3	6
4	WB1501-H04	ZH-4Y	4.5	7.5
5	WB1501-H05	ZH-5Y	6	9
6	WB1501-H06	ZH-6Y	7.5	10.5
7	WB1501-H07	ZH-7Y	9	12
8	WB1501-H08	ZH-8Y	10.5	13.5
9	WB1501-H09	ZH-9Y	12	15
10	WB1501-H10	ZH-10Y	13.5	16.5
11	WB1501-H11	ZH-11Y	15	18
-	-	-	-	-
16	WB1501-H16	ZH-16Y	22.5	25.5

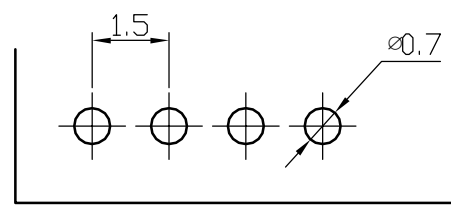
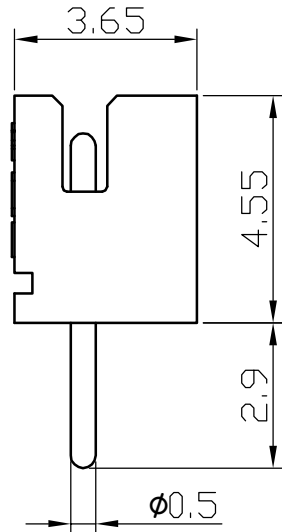
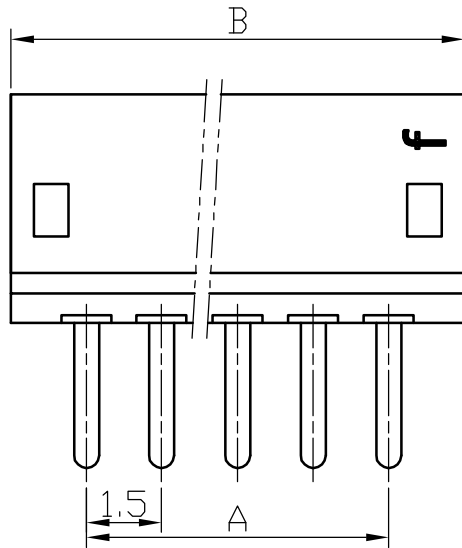
1	Housing	PA66 (UL94V-0/V-2)	1	White					
No.	Item/Material No.	Material	QTY	Remark					
Unmarked Tolerance		 Yueqing Hegxing Electronics Co., Ltd							
X. ° ±3° X. X. ° ±0.5°									
>0-3	>3-18	>18-50	>50-120	Unit	Scale	Design Unit	Size	Part No.	 
±0.12	±0.15	±0.3	±0.5	mm	—	Metric	A4		
Draw	Review	Approve	Material	Drawing No.		Part No.			
				Item	ZH-NY				

ZH Type Terminal

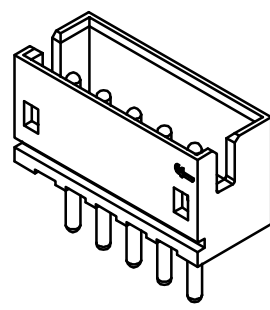


1	WB1501-TP2	Phosphor Bronze	1	
No.	Item/Material No.	Material	QTY	Remark
Unmarked Tolerance		 Yueqing Hegxing Electronics Co., Ltd		
X.° ±3° X.X° ±0.5°				
>0-3	>3-18	>18-50	>50-120	
±0.12	±0.15	±0.3	±0.5	
Unit	Scale	Design Unit	Size	Part No.
mm	—	Metric	A4	
Draw	Review	Approve	Material	Drawing No.
			Item	ZH-T

ZH Type Wafer




PCB Layout

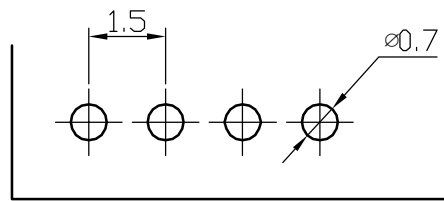
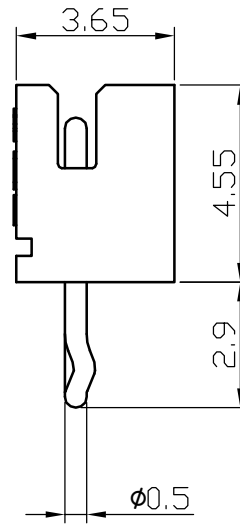
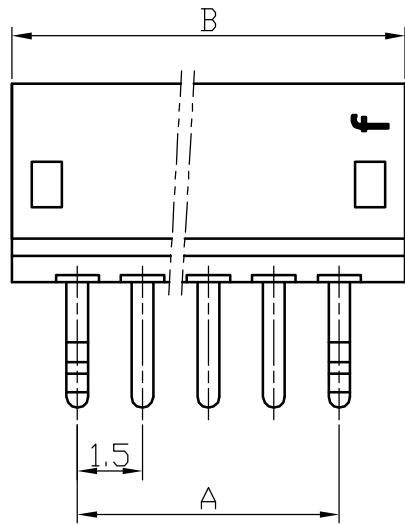


Poles	Part No.		Dimensions	
			A	B
2	WB1501-PT02	ZH-2A	1.5	6
3	WB1501-PT03	ZH-3A	3	7.5
4	WB1501-PT04	ZH-4A	4.5	9
5	WB1501-PT05	ZH-5A	6	10.5
6	WB1501-PT06	ZH-6A	7.5	12
7	WB1501-PT07	ZH-7A	9	13.5
8	WB1501-PT08	ZH-8A	10.5	15
9	WB1501-PT09	ZH-9A	12	16.5
10	WB1501-PT10	ZH-10A	13.5	18
11	WB1501-PT11	ZH-11A	15	19.5
-	-	-	-	-
16	WB1501-PT16	ZH-16A	22.5	27

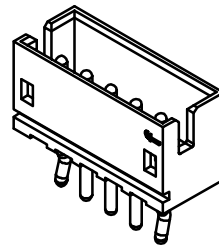
No.	Item/Material No.	Material	QTY	Remark
1	Housing	PA66 (UL94V-0/V-2)	1	White
2	Pin	Tin Plated Brass	N	

Unmarked Tolerance		 Yueqing Hegxing Electronics Co., Ltd							
X. ° ±3°	X. X° ±0.5°			Unit	Scale	Design Unit	Size		
>0-3	>3-18	>18-50	>50-120	mm	—	Metric	A4		
±0.12	±0.15	±0.3	±0.5	Material		Drawing No.		Part No.	
Draw				Review		Approve		Item	
								ZH-NA	

ZH Type Wafer




PCB Layout

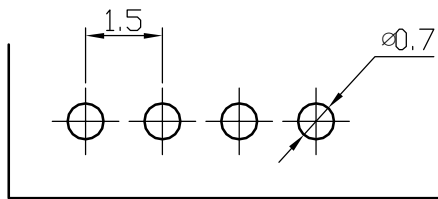
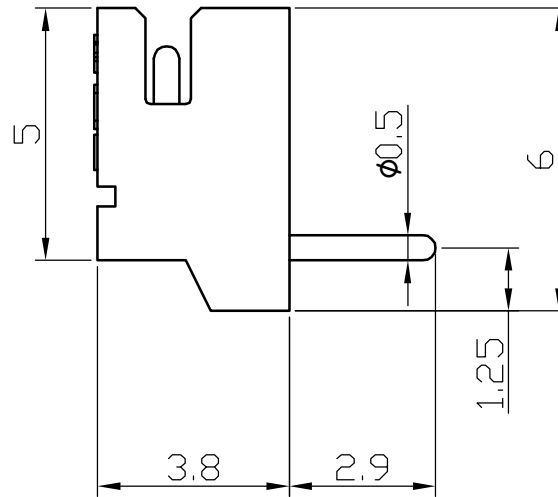
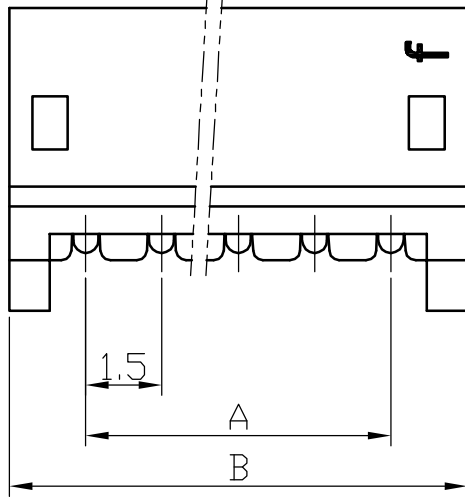


Poles	Part No.		Dimensions	
			A	B
2	WB1501-PT02-K	ZH-2A	1.5	6
3	WB1501-PT03-K	ZH-3A	3	7.5
4	WB1501-PT04-K	ZH-4A	4.5	9
5	WB1501-PT05-K	ZH-5A	6	10.5
6	WB1501-PT06-K	ZH-6A	7.5	12
7	WB1501-PT07-K	ZH-7A	9	13.5
8	WB1501-PT08-K	ZH-8A	10.5	15
9	WB1501-PT09-K	ZH-9A	12	16.5
10	WB1501-PT10-K	ZH-10A	13.5	18
11	WB1501-PT11-K	ZH-11A	15	19.5
-	-	-	-	-
16	WB1501-PT16-K	ZH-16A	22.5	27

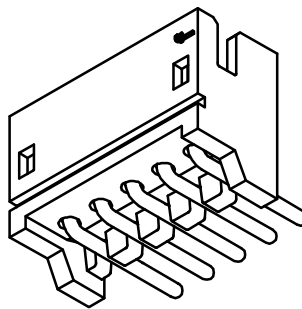
No.	Item/Material No.	Material	QTY	Remark
1	Housing	PA66 (UL94V-0/V-2)	1	White
2	Pin	Tin Plated Brass	N	

Unmarked Tolerance		 Yueqing Hegxing Electronics Co., Ltd						
X. ° ±3°	X. X° ±0.5°			Unit	Scale	Design Unit	Size	Part No.
>0-3	>3-18	>18-50	>50-120	mm	—	Metric	A4	
±0.12	±0.15	±0.3	±0.5	Material		Drawing No.		Part No.
				Item	ZH-NA convex pins			

ZH Type Wafer



PCB Layout

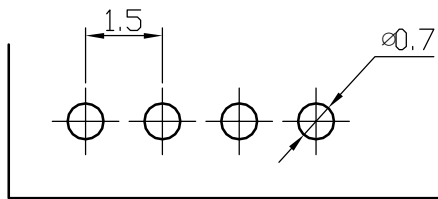
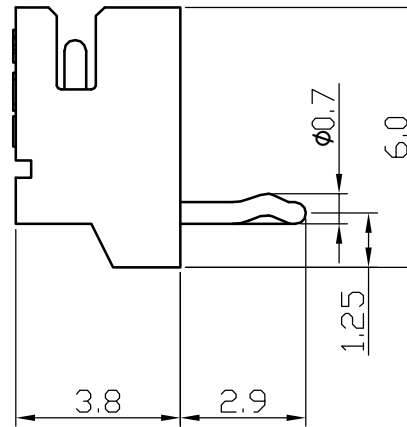
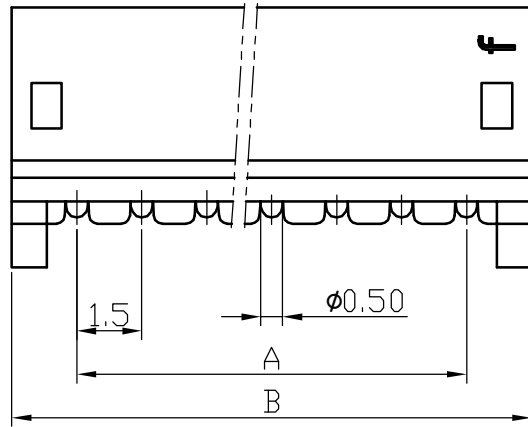


Poles	Part No.		Dimensions	
			A	B
2	WB1501-PS02	ZH-2AWD	1.5	6
3	WB1501-PS03	ZH-3AWD	3	7.5
4	WB1501-PS04	ZH-4AWD	4.5	9
5	WB1501-PS05	ZH-5AWD	6	10.5
6	WB1501-PS06	ZH-6AWD	7.5	12
7	WB1501-PS07	ZH-7AWD	9	13.5
8	WB1501-PS08	ZH-8AWD	10.5	15
9	WB1501-PS09	ZH-9AWD	12	16.5
10	WB1501-PS10	ZH-10AWD	13.5	18
11	WB1501-PS11	ZH-11AWD	15	19.5
-	-	-	-	-
16	WB1501-PS16	ZH-16AWD	22.5	27

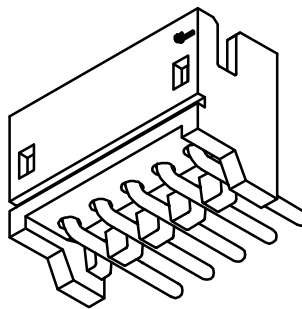
No.	Item/Material No.	Material	QTY	Remark
1	Housing	PA66 (UL94V-0/V-2)	1	White
2	Pin	Tin Plated Brass	N	

Unmarked Tolerance					Yueqing Hegxing Electronics Co., Ltd				
X. ° ±3°		X. X. ° ±0.5°			HEGX				
>0-3	>3-18	>18-50	>50-120	Unit	Scale	Design Unit	Size	Part No.	
±0.12	±0.15	±0.3	±0.5	mm	—	Metric	A4		
Draw	Review	Approve	Material	Drawing No.			Part No.		
				Item	ZH-NAWD				

ZH Type Wafer




PCB Layout



Poles	Part No.		Dimensions	
			A	B
2	WB1501-PS02-K	ZH-2AWD	1.5	6
3	WB1501-PS03-K	ZH-3AWD	3	7.5
4	WB1501-PS04-K	ZH-4AWD	4.5	9
5	WB1501-PS05-K	ZH-5AWD	6	10.5
6	WB1501-PS06-K	ZH-6AWD	7.5	12
7	WB1501-PS07-K	ZH-7AWD	9	13.5
8	WB1501-PS08-K	ZH-8AWD	10.5	15
9	WB1501-PS09-K	ZH-9AWD	12	16.5
10	WB1501-PS10-K	ZH-10AWD	13.5	18
11	WB1501-PS11-K	ZH-11AWD	15	19.5
-	-	-	-	-
16	WB1501-PS16-K	ZH-16AWD	22.5	27

No.	Item/Material No.	Material	QTY	Remark
1	Housing	PA66 (UL94V-0/V-2)	1	White
2	Pin	Tin Plated Brass	N	

Unmarked Tolerance		 Yueqing Hegxing Electronics Co., Ltd						
X. ° ±3°	X. X° ±0.5°			Unit	Scale	Design Unit	Size	Part No.
>0-3	>3-18	>18-50	>50-120	mm	—	Metric	A4	
±0.12	±0.15	±0.3	±0.5	Material		Drawing No.		Part No.
				Item	ZH-NAWD convex pins			