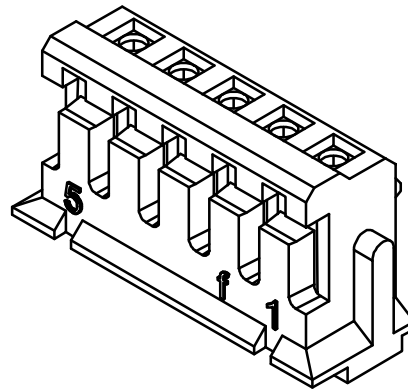
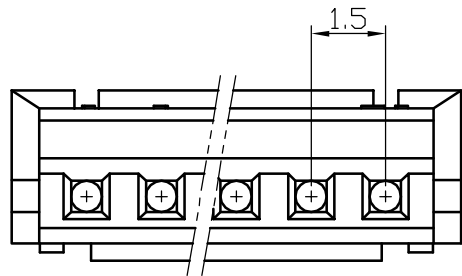
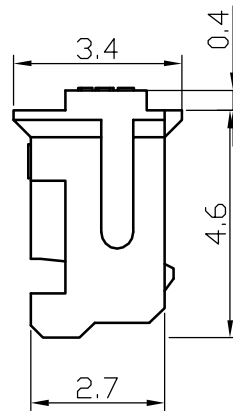
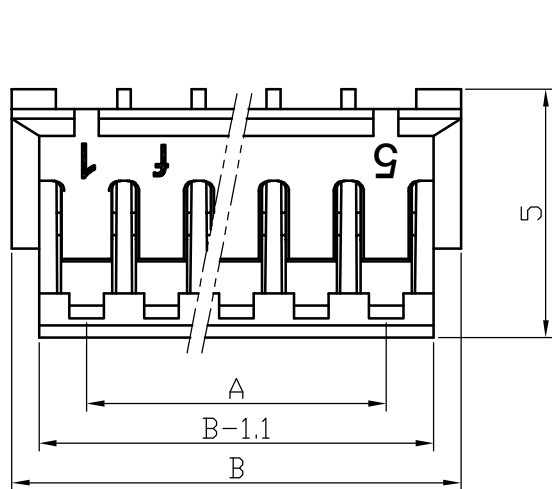





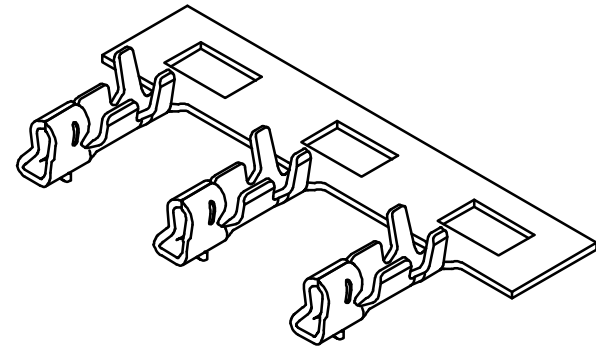
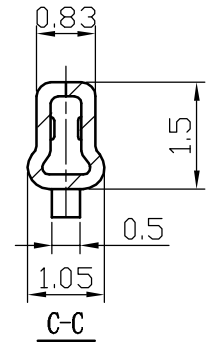
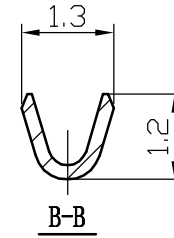
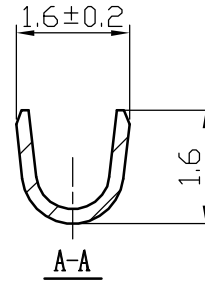
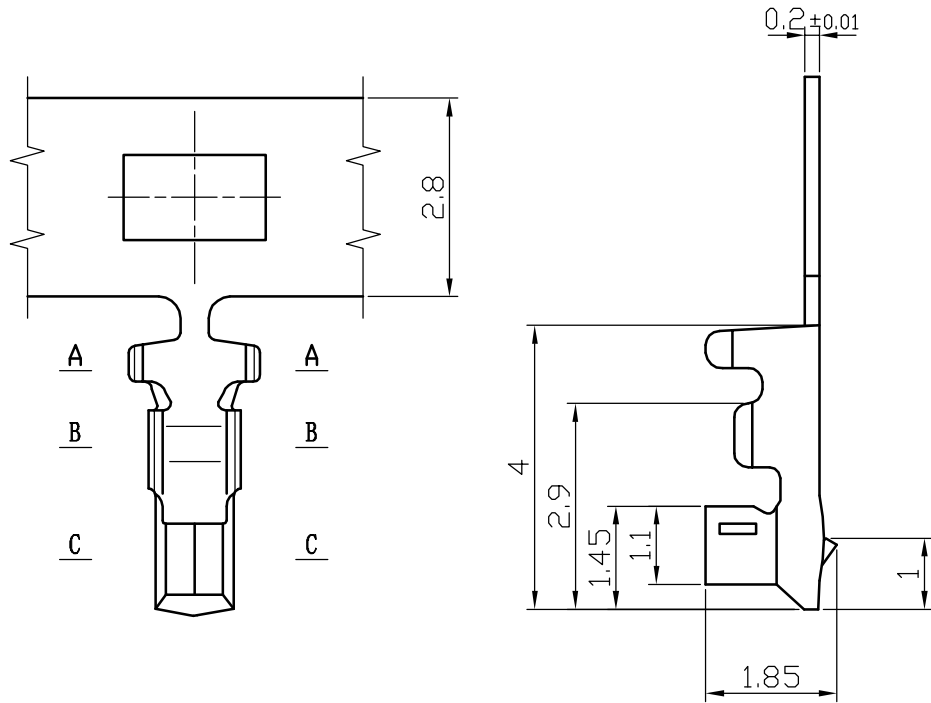
ZH Type Housing




Poles	Part No.		Dimensions	
			A	B
2	WB1501-H02	ZH-2Y	1.5	4.5
3	WB1501-H03	ZH-3Y	3	6
4	WB1501-H04	ZH-4Y	4.5	7.5
5	WB1501-H05	ZH-5Y	6	9
6	WB1501-H06	ZH-6Y	7.5	10.5
7	WB1501-H07	ZH-7Y	9	12
8	WB1501-H08	ZH-8Y	10.5	13.5
9	WB1501-H09	ZH-9Y	12	15
10	WB1501-H10	ZH-10Y	13.5	16.5
11	WB1501-H11	ZH-11Y	15	18
-	-	-	-	-
16	WB1501-H16	ZH-16Y	22.5	25.5

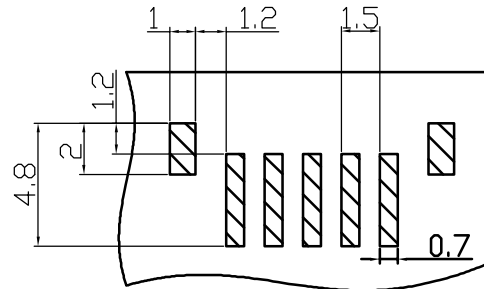
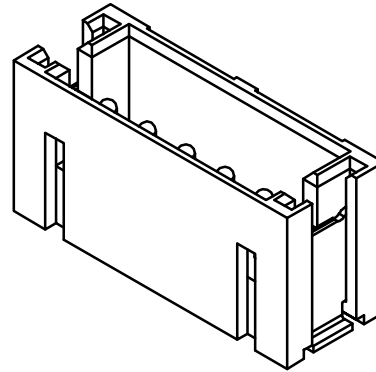
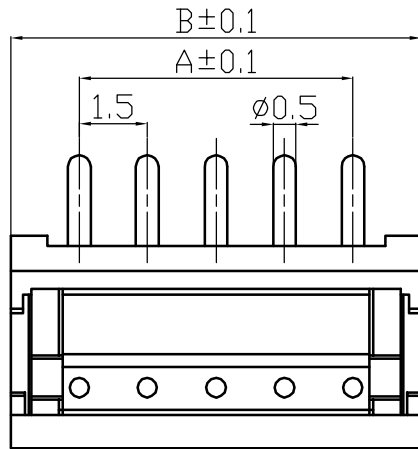
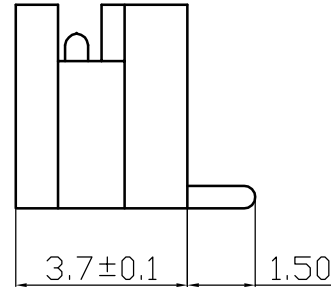
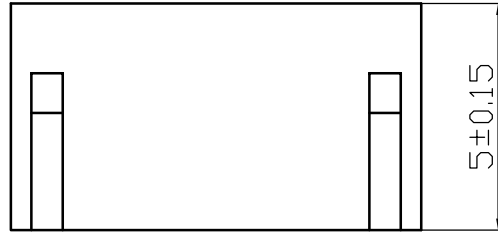
1	Housing	PA66 (UL94V-0/V-2)	1	White					
No.	Item/Material No.	Material	QTY	Remark					
Unmarked Tolerance		 Yueqing Hegxing Electronics Co., Ltd							
X. ° ±3° X. X. ° ±0.5°									
>0-3	>3-18	>18-50	>50-120	Unit	Scale	Design Unit	Size	Part No.	 
±0.12	±0.15	±0.3	±0.5	mm	—	Metric	A4		
Draw	Review	Approve	Material	Drawing No.			Part No.		
				Item	ZH-NY				

ZH Type Terminal






1	WB1501-TP2	Phospher Bronze	1	
No.	Item/Material No.	Material	QTY	Remark
Unmarked Tolerance		 Yueqing Hegxing Electronics Co., Ltd		
X. ° ±3° X. X. ° ±0.5°				
>0-3	>3-18	>18-50	>50-120	
±0.12	±0.15	±0.3	±0.5	
Unit	Scale	Design Unit	Size	Part No.
mm	—	Metric	A4	
Draw	Review	Approve	Material	Drawing No.
			Item	ZH-T

ZH Type Wafer

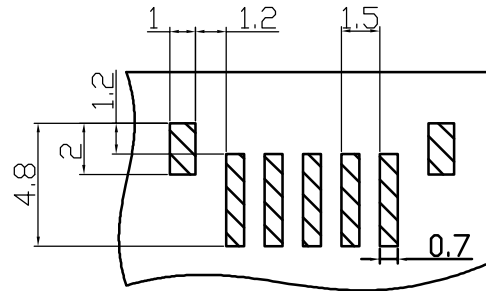
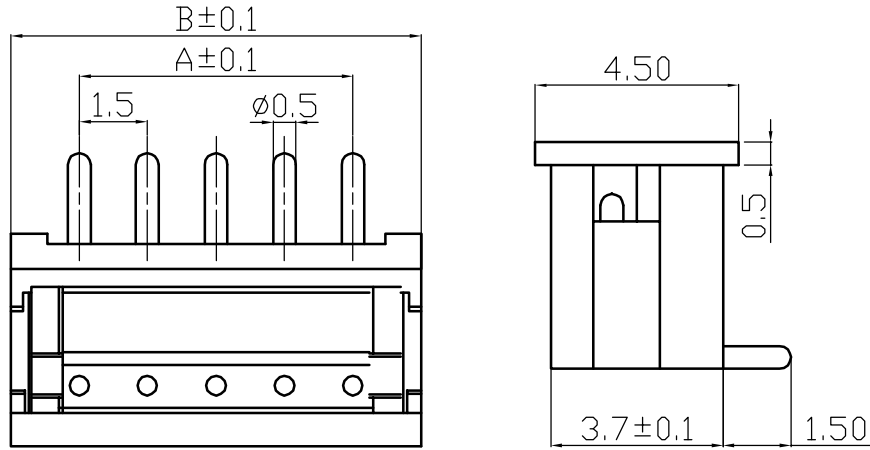
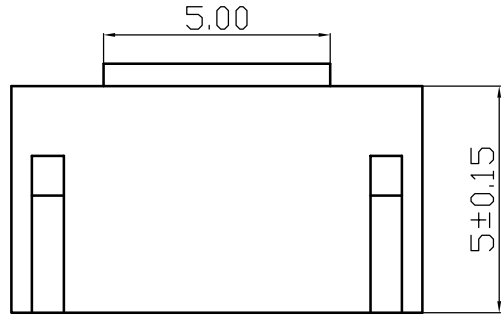


PCB Layout

Poles	Part No.		Dimensions	
	A	B	A	B
2	WB1501-ST02	ZH-2AB	1.5	6
3	WB1501-ST03	ZH-3AB	3	7.5
4	WB1501-ST04	ZH-4AB	4.5	9
5	WB1501-ST05	ZH-5AB	6	10.5
6	WB1501-ST06	ZH-6AB	7.5	12
7	WB1501-ST07	ZH-7AB	9	13.5
8	WB1501-ST08	ZH-8AB	10.5	15
9	WB1501-ST09	ZH-9AB	12	16.5
10	WB1501-ST10	ZH-10AB	13.5	18
11	WB1501-ST11	ZH-11AB	15	19.5
-	-	-	-	-
16	WB1501-ST16	ZH-16AB	22.5	27




3	Soldering Lug	Phosthor Bronze	2						
2	Pin	Phosthor Bronze	N						
1	Housing	PA9T (UL94V-0)	1						
No.	Item/Material No.	Material	QTY	Remark					
Unmarked Tolerance		 Yueqing Hegxing Electronics Co., Ltd							
X. ° ±3° X. X° ±0.5°									
>0-3	>3-18	>18-50	>50-120	Unit	Scale	Design Unit	Size	Part No.	 
±0.12	±0.15	±0.3	±0.5	mm	—	Metric	A4		
Draw	Review	Approve	Material	Drawing No.			Part No.		
				Item	ZH-NAB-80				

ZH Type Wafer

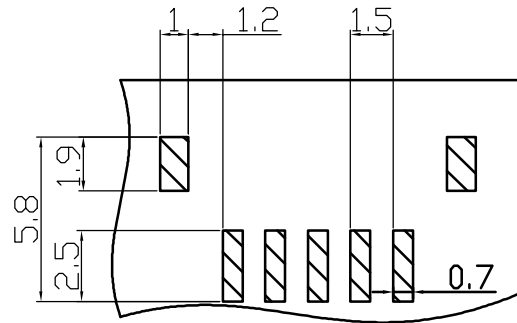
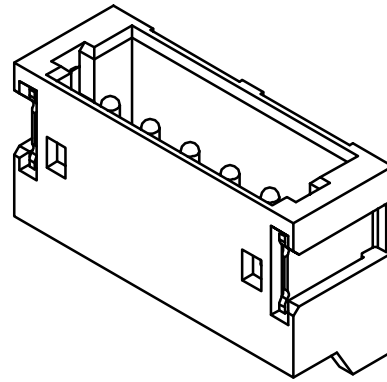
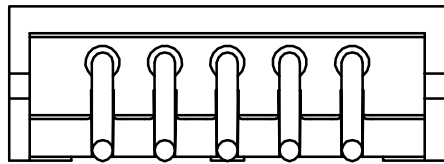
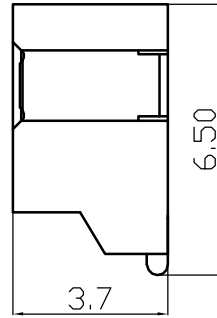
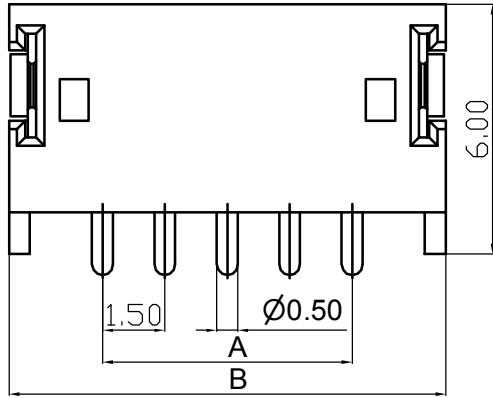


PCB Layout

Poles	Part No.		Dimensions	
	A	B	A	B
2	WB1501-ST02	ZH-2AB	1.5	6
3	WB1501-ST03	ZH-3AB	3	7.5
4	WB1501-ST04	ZH-4AB	4.5	9
5	WB1501-ST05	ZH-5AB	6	10.5
6	WB1501-ST06	ZH-6AB	7.5	12
7	WB1501-ST07	ZH-7AB	9	13.5
8	WB1501-ST08	ZH-8AB	10.5	15
9	WB1501-ST09	ZH-9AB	12	16.5
10	WB1501-ST10	ZH-10AB	13.5	18
11	WB1501-ST11	ZH-11AB	15	19.5
-	-	-	-	-
16	WB1501-ST16	ZH-16AB	22.5	27




4	Cap	LCP	1						
3	Soldering Lug	Phosthor Bronze	2						
2	Pin	Phosthor Bronze	N						
1	Housing	PA9T (UL94V-0)	1						
No.	Item/Material No.	Material	QTY	Remark					
Unmarked Tolerance		 <b>Yueqing Hegxing Electronics Co., Ltd</b>							
X. ° ±3° X. X° ±0.5°									
>0-3	>3-18	>18-50	>50-120	Unit	Scale	Design Unit	Size	Part No.	 
±0.12	±0.15	±0.3	±0.5	mm	—	Metric	A4		
Draw	Review	Approve	Material	Drawing No.	Part No.				
				Item	ZH-NAB-80 with cap				

ZH Type Wafer



PCB Layout

Poles	Part No.		Dimensions	
			A	B
2	WB1501-SS02	ZH-2AWB	1.5	6
3	WB1501-SS03	ZH-3AWB	3	7.5
4	WB1501-SS04	ZH-4AWB	4.5	9
5	WB1501-SS05	ZH-5AWB	6	10.5
6	WB1501-SS06	ZH-6AWB	7.5	12
7	WB1501-SS07	ZH-7AWB	9	13.5
8	WB1501-SS08	ZH-8AWB	10.5	15
9	WB1501-SS09	ZH-9AWB	12	16.5
10	WB1501-SS10	ZH-10AWB	13.5	18
11	WB1501-SS11	ZH-11AWB	15	19.5
-	-	-	-	-
16	WB1501-SS16	ZH-16AWB	22.5	27

3	Soldering Lug	Phosthor Bronze	2						
2	Pin	Phosthor Bronze	N						
1	Housing	PA9T (UL94V-0)	1						
No.	Item/Material No.	Material	QTY	Remark					
Unmarked Tolerance		 <b>Yueqing Hegxing Electronics Co., Ltd</b>							
X. ° ±3° X. X° ±0.5°									
>0-3	>3-18	>18-50	>50-120	Unit	Scale	Design Unit	Size	Part No.	 
±0.12	±0.15	±0.3	±0.5	mm	—	Metric	A4		
Draw	Review	Approve	Material	Drawing No.			Part No.		
				Item	ZH-NAWB-80				