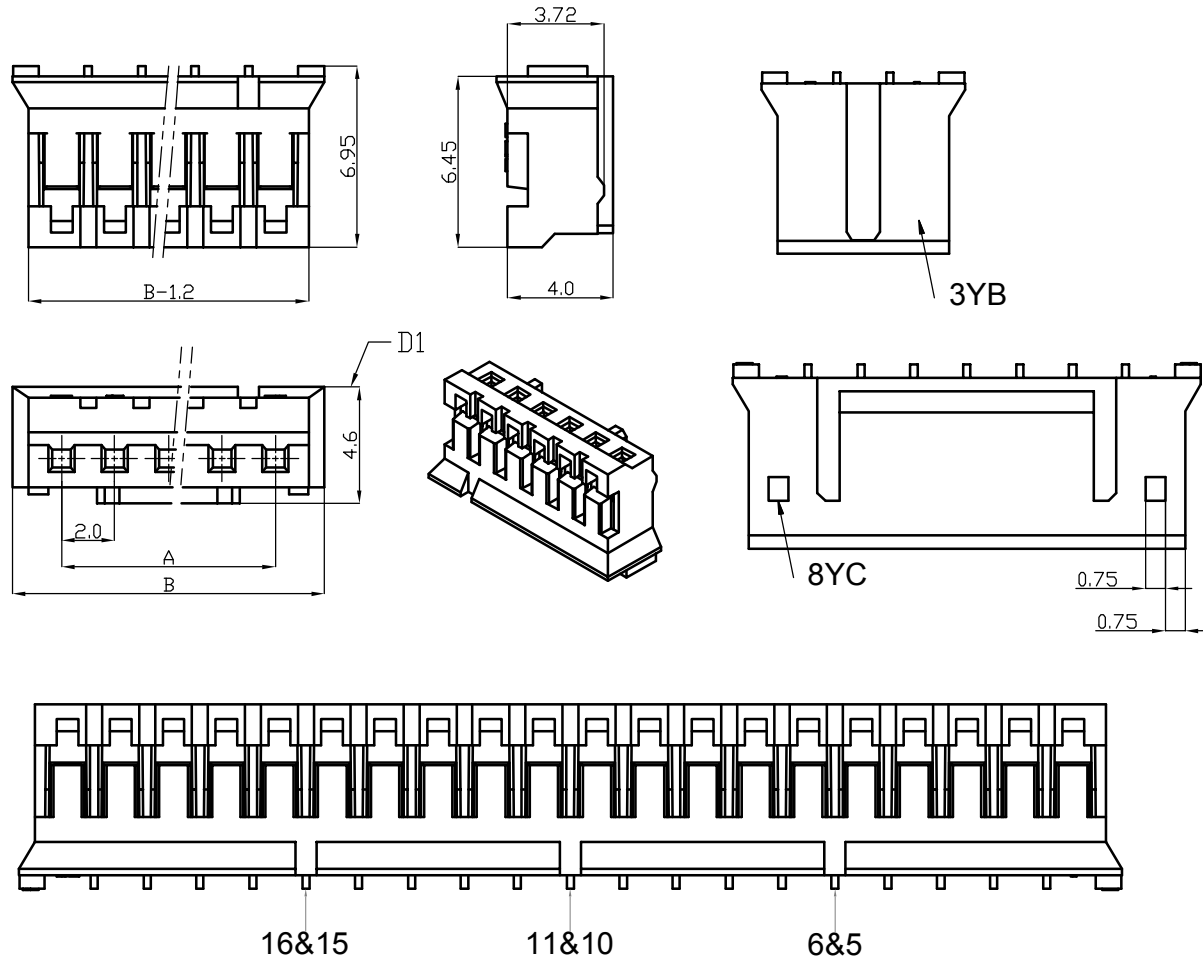





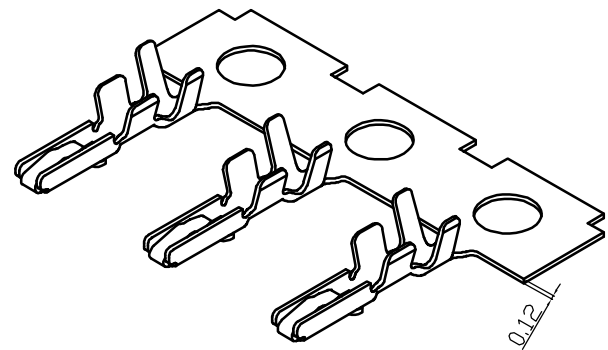
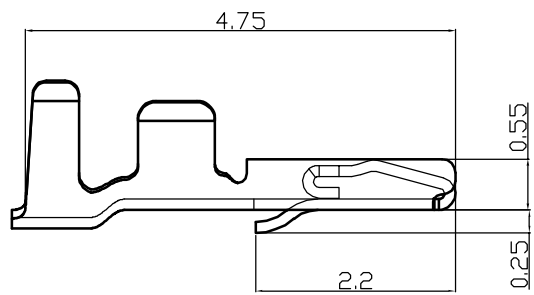
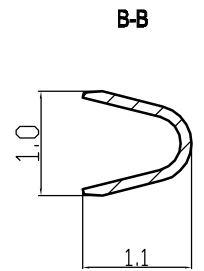
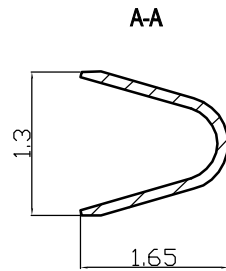
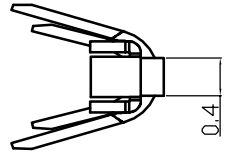
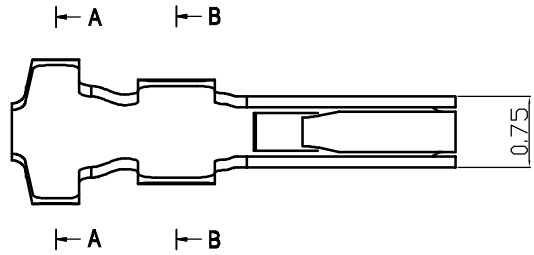
PH Type Housing






Poles	Part No.		Dimensions	
			A	B
2	WB2001-H02	PH-2Y	2	5.7
3	WB2001-H03	PH-3Y	4	7.7
4	WB2001-H04	PH-4Y	6	9.7
5	WB2001-H05	PH-5Y	8	11.7
6	WB2001-H06	PH-6Y	10	13.7
7	WB2001-H07	PH-7Y	12	15.7
8	WB2001-H08	PH-8Y	14	17.7
9	WB2001-H09	PH-9Y	16	19.7
10	WB2001-H10	PH-10Y	18	21.7
11	WB2001-H11	PH-11Y	20	23.7
-	-	-	-	-
20	WB2001-H20	PH-20Y	38	41.7
3	WB2001-HB03	PH-3YB	4	7.7
8	WB2001-HC08	PH-8YC	14	17.7

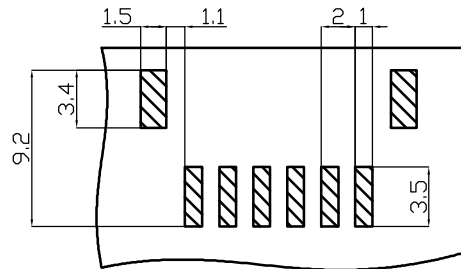
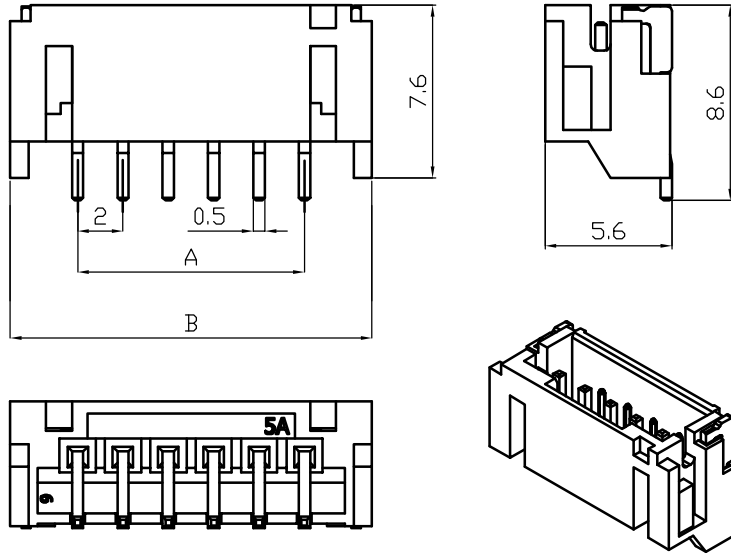
1	Housing	PA66 (UL94V-0/V-2)	1	White					
No.	Item/Material No.	Material	QTY	Remark					
Unmarked Tolerance		 Yueqing Hegxing Electronics Co., Ltd							
X. °	±3°				X. X°	±0.5°			
>0-3	>3-18	>18-50	>50-120	Unit	Scale	Design Unit	Size	Part No.	 
±0.12	±0.15	±0.3	±0.5	mm	—	Metric	A4		
Draw	Review	Approve	Material	Drawing No.			Part No.		
				Item	PH-NY				

PH Type Terminal



1	WB2001-T	Phosphor Bronze	1						
No.	Item/Material No.	Material	QTY	Remark					
Unmarked Tolerance		 Yueqing Hegxing Electronics Co., Ltd							
X. ° ±3° X. X° ±0.5°									
>0-3	>3-18	>18-50	>50-120	Unit	Scale	Design Unit	Size	Part No.	 
±0.12	±0.15	±0.3	±0.5	mm	—	Metric	A4		
Draw	Review	Approve	Material	Drawing No.			Part No.		
				Item	PH-T11				

PH Type Wafer



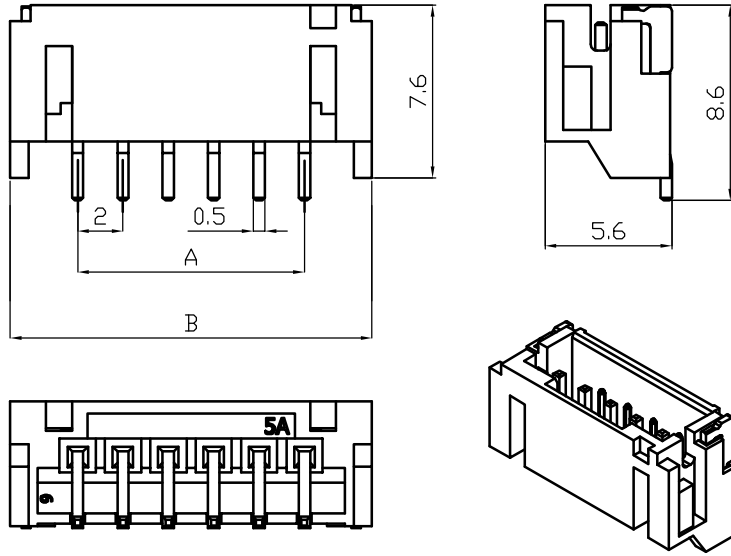
PCB Layout

Poles	PABrT No.		Dimensions	
			A	B
2	WB2001-ST02	PH-2AB	2	7.95
3	WB2001-ST03	PH-3AB	4	9.95
4	WB2001-ST04	PH-4AB	6	11.95
5	WB2001-ST05	PH-5AB	8	13.95
6	WB2001-ST06	PH-6AB	10	15.95
7	WB2001-ST07	PH-7AB	12	17.95
8	WB2001-ST08	PH-8AB	14	19.95
9	WB2001-ST09	PH-9AB	16	21.95
10	WB2001-ST10	PH-10AB	18	23.95
11	WB2001-ST11	PH-11AB	20	25.95
-	-	-	-	-
16	WB2001-ST16	PH-16AB	30	35.95

No.	Item/Material No.	Material	QTY	Remark
1	Housing	PA66 (UL94V-0/V-2)	1	White
2	Pin	Tin Plated Brass	N	
3	Soldering Lug	Phosphor Bronze	2	

Unmarked Tolerance					Yueqing Hegxing Electronics Co., Ltd				
X. ° ±3°		X. X° ±0.5°			HEGX				
>0-3	>3-18	>18-50	>50-120	Unit	Scale	Design Unit	Size	Part No.	
±0.12	±0.15	±0.3	±0.5	mm	—	Metric	A4		
Draw	Review	Approve	Material	Drawing No.			Part No.		
				Item	PH-NAB				

PH Type Wafer



Poles	PAWBrT No.		Dimensions	
			A	B
2	WB2001-SS02	PH-2AWB	2	7.95
3	WB2001-SS03	PH-3AWB	4	9.95
4	WB2001-SS04	PH-4AWB	6	11.95
5	WB2001-SS05	PH-5AWB	8	13.95
6	WB2001-SS06	PH-6AWB	10	15.95
7	WB2001-SS07	PH-7AWB	12	17.95
8	WB2001-SS08	PH-8AWB	14	19.95
9	WB2001-SS09	PH-9AWB	16	21.95
10	WB2001-SS10	PH-10AWB	18	23.95
11	WB2001-SS11	PH-11AWB	20	25.95
-	-	-	-	-
16	WB2001-SS16	PH-16AWB	30	35.95

No.	Item/Material No.	Material	QTY	Remark
1	Housing	PA66 (UL94V-0/V-2)	1	White
2	Pin	Tin Plated Brass	N	
3	Soldering Lug	Phosphor Bronze	2	

PCB Layout

Unmarked Tolerance					Yueqing Hegxing Electronics Co., Ltd				
X. ° ±3°		X. X° ±0.5°			HEGX				
>0-3	>3-18	>18-50	>50-120		Unit	Scale	Design Unit	Size	Part No.
±0.12	±0.15	±0.3	±0.5		mm	—	Metric	A4	
Draw	Review	Approve	Material	Drawing No.			Part No.		
					Item	PH-NAWB			