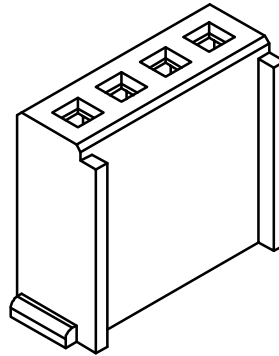
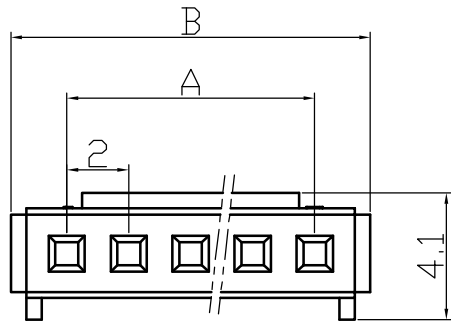
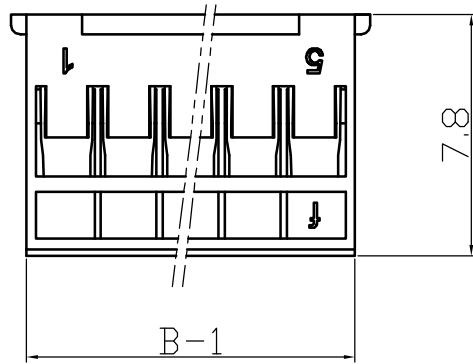





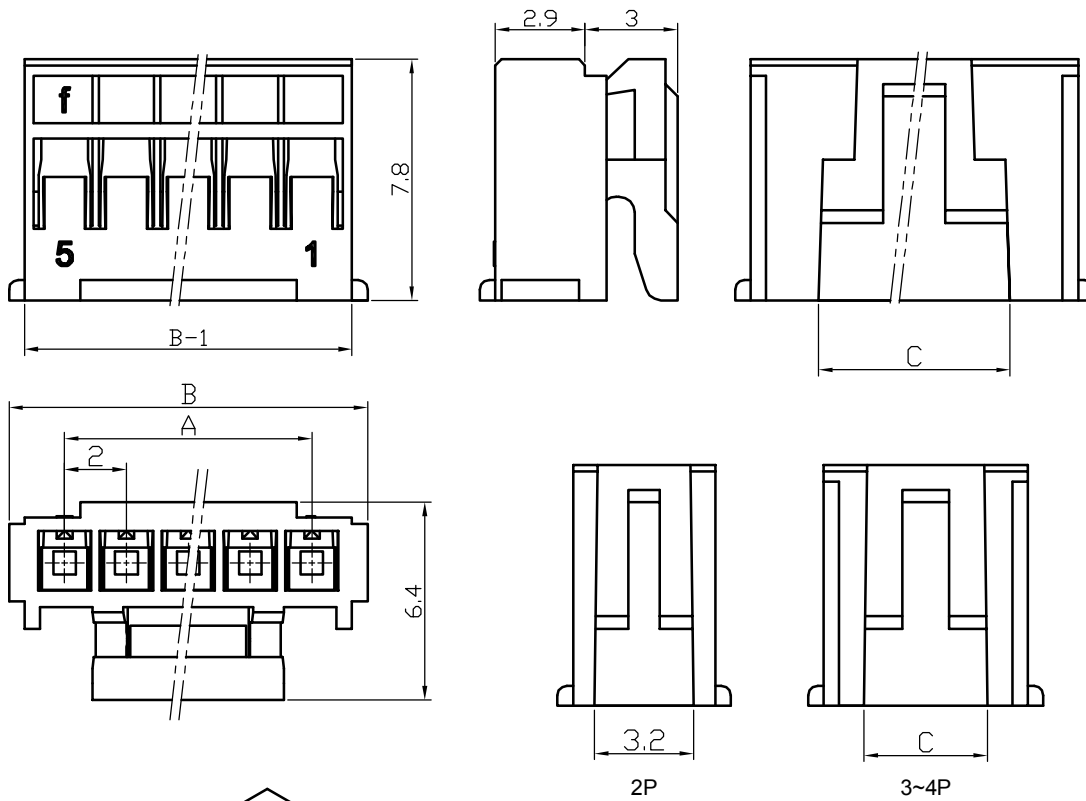
PHB Type Housing



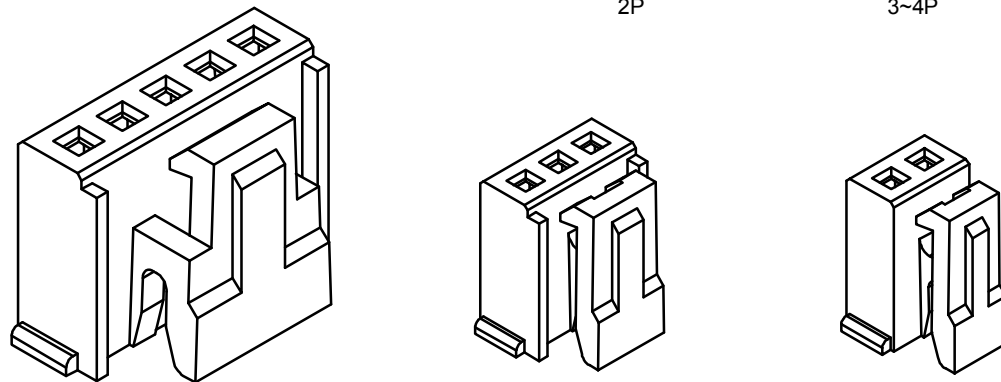
Poles	Part No.		Dimensions	
			A	B
2	WB2005-H02	PHB-2Y	2	5.6
3	WB2005-H03	PHB-3Y	4	7.6
4	WB2005-H04	PHB-4Y	6	9.6
5	WB2005-H05	PHB-5Y	8	11.6
6	WB2005-H06	PHB-6Y	10	13.6
7	WB2005-H07	PHB-7Y	12	15.6
8	WB2005-H08	PHB-8Y	14	17.6
9	WB2005-H09	PHB-9Y	16	19.6
10	WB2005-H10	PHB-10Y	18	21.6
11	WB2005-H11	PHB-11Y	20	23.6
12	WB2005-H12	PHB-12Y	22	25.6
13	WB2005-H13	PHB-13Y	24	27.6
14	WB2005-H14	PHB-14Y	26	29.6
15	WB2005-H15	PHB-15Y	28	31.6
16	WB2005-H16	PHB-16Y	30	33.6




1	Housing	PA66(UL94V-0/V-2)	1	White					
No.	Item/Material No.	Material	QTY	Remark					
Unmarked Tolerance		 Yueqing Hegxing Electronics Co., Ltd							
X. ° ±3° X. X° ±0.5°									
>0-3	>3-18	>18-50	>50-120	Unit	Scale	Design Unit	Size	Part No.	 
±0.12	±0.15	±0.3	±0.5	mm	—	Metric	A4		
Draw	Review	Approve	Material	Drawing No.			Part No.		
				Item	PHB-HY				

PHB Type Housing

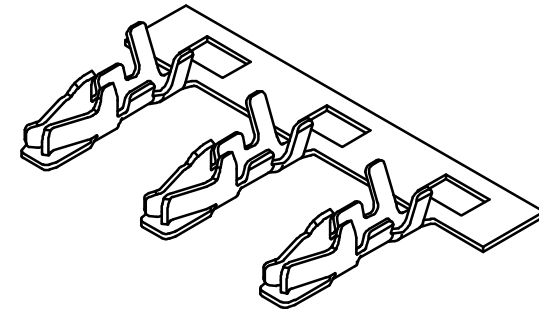
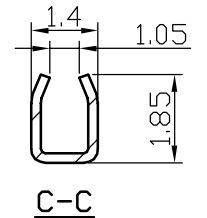
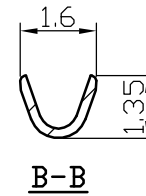
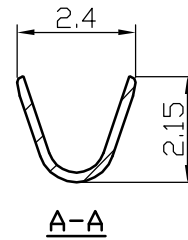
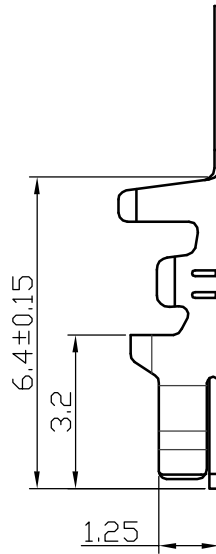
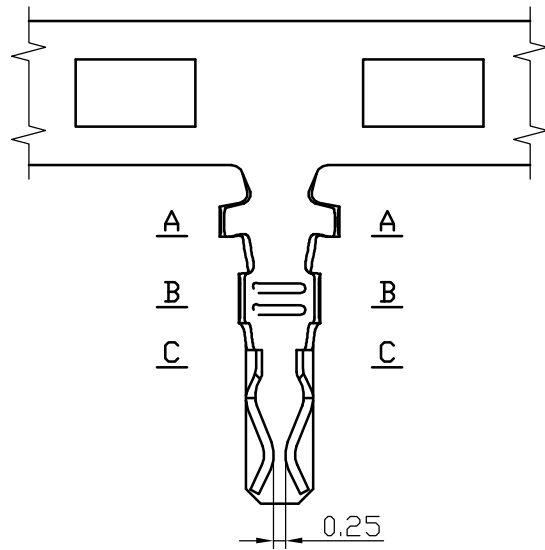




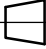
Poles	Part No.		Dimensions		
			A	B	C
2	WB2005-HB02	PHB-2Y with lock	2	5.6	3.2
3	WB2005-HB03	PHB-3Y with lock	4	7.6	4
4	WB2005-HB04	PHB-4Y with lock	6	9.6	5
5	WB2005-HB05	PHB-5Y with lock	8	11.6	6.2
6	WB2005-HB06	PHB-6Y with lock	10	13.6	8.2
7	WB2005-HB07	PHB-7Y with lock	12	15.6	10.2
8	WB2005-HB08	PHB-8Y with lock	14	17.6	12.2
9	WB2005-HB09	PHB-9Y with lock	16	19.6	14.2
10	WB2005-HB10	PHB-10Y with lock	18	21.6	16.2
11	WB2005-HB11	PHB-11Y with lock	20	23.6	14.2
12	WB2005-HB12	PHB-12Y with lock	22	25.6	16.2
13	WB2005-HB13	PHB-13Y with lock	24	27.6	16.2
14	WB2005-HB14	PHB-14Y with lock	26	29.6	16.2
15	WB2005-HB15	PHB-15Y with lock	28	31.6	16.2
16	WB2005-HB16	PHB-16Y with lock	30	33.6	16.2



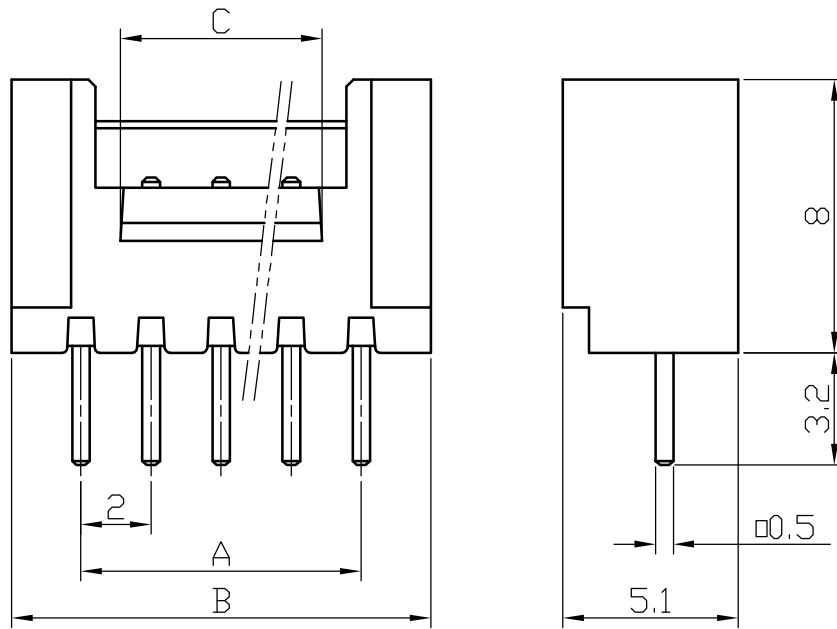
1	Housing	PA66(UL94V-0/V-2)	1	White					
No.	Item/Material No.	Material	QTY	Remark					
Unmarked Tolerance		 Yueqing Hegxing Electronics Co., Ltd							
X. ° ±3°	X. X° ±0.5°								
>0-3	>3-18	>18-50	>50-120	Unit	Scale	Design Unit	Size	Part No.	 
±0.12	±0.15	±0.3	±0.5	mm	—	Metric	A4		
Draw	Review	Approve	Material	Drawing No.	Part No.				
				Item	PHB-HY with lock				

PHB Type Terminal

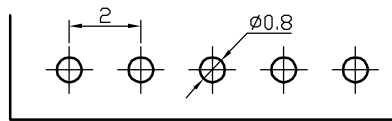


1	WB2005-T	Phospher Bronze	1						
No.	Item/Material No.	Material	QTY	Remark					
Unmarked Tolerance		 Yueqing Hegxing Electronics Co., Ltd							
X. ° ±3° X. X° ±0.5°									
>0-3	>3-18	>18-50	>50-120	Unit	Scale	Design Unit	Size	Part No.	 
±0.12	±0.15	±0.3	±0.5	mm	—	Metric	A4		
Draw	Review	Approve	Material	Drawing No.			Part No.		
				Item	PHB-T				

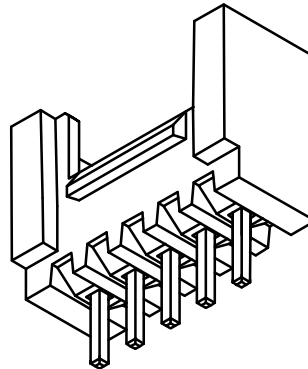
PHB Type Wafer



Poles	Part No.		Dimensions		
			A	B	C
2	WB2005-PT02	PHB-2A	2	6	3
3	WB2005-PT03	PHB-3A	4	8	3.5
4	WB2005-PT04	PHB-4A	6	10	4
5	WB2005-PT05	PHB-5A	8	12	6
6	WB2005-PT06	PHB-6A	10	14	8
7	WB2005-PT07	PHB-7A	12	16	10
8	WB2005-PT08	PHB-8A	14	18	12
9	WB2005-PT09	PHB-9A	16	20	14
10	WB2005-PT10	PHB-10A	18	22	16
11	WB2005-PT11	PHB-11A	20	24	18
12	WB2005-PT12	PHB-12A	22	26	20
13	WB2005-PT13	PHB-13A	24	28	22
14	WB2005-PT14	PHB-14A	26	30	24
15	WB2005-PT15	PHB-15A	28	32	26
16	WB2005-PT16	PHB-16A	30	34	28

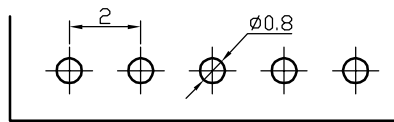
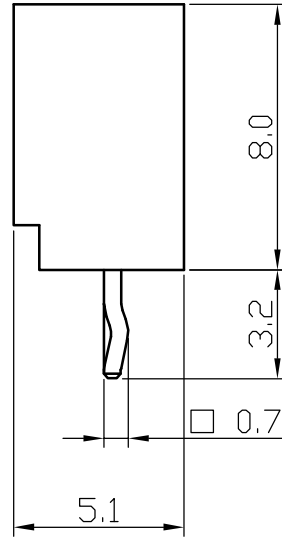
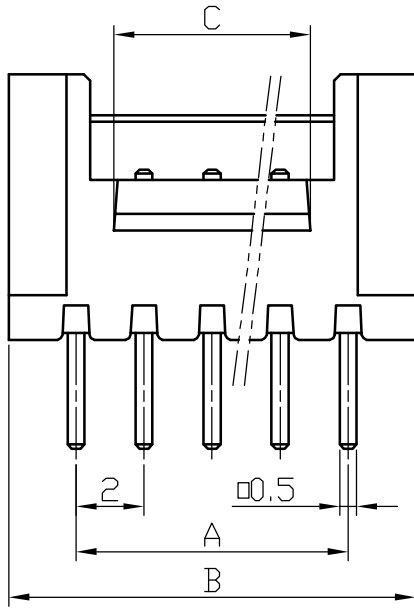


PCB Layout

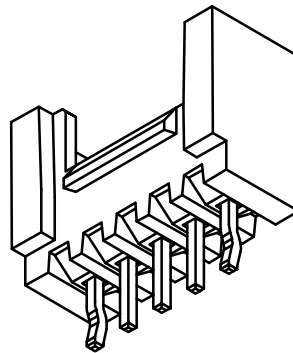


2	Pin	Tin Plated Brass	N						
1	Housing	PA9T (UL94V-0)	1						
No.	Item/Material No.	Material	QTY	Remark					
Unmarked Tolerance		Yueqing Hegxing Electronics Co., Ltd							
X. ° ±3° X. X° ±0.5°									
>0-3	>3-18	>18-50	>50-120	Unit	Scale	Design Unit	Size	Part No.	
±0.12	±0.15	±0.3	±0.5	mm	—	Metric	A4		
Draw	Review	Approve	Material	Drawing No.			Part No.		
				Item	PHB-NA				




PHB Type Wafer



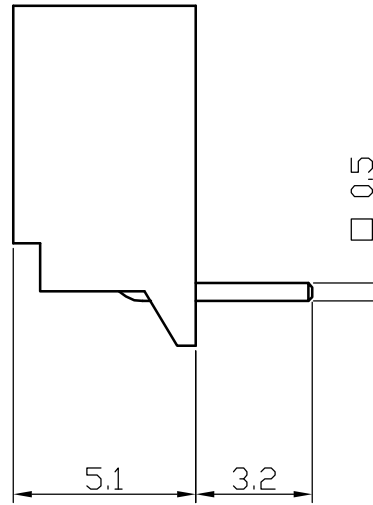
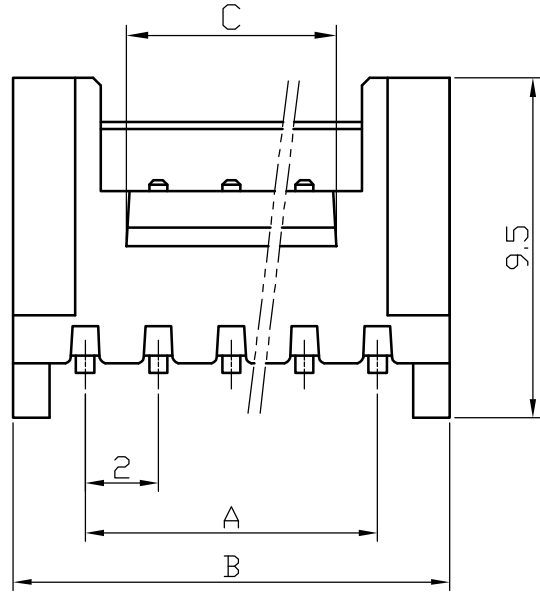
PCB Layout



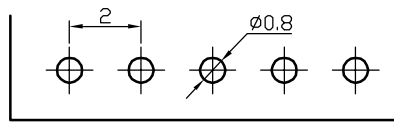
Poles	PAWDrt No.		Dimensions		
			A	B	C
2	WB2005-PT02-K	PHB-2A	2	6	3
3	WB2005-PT03-K	PHB-3A	4	8	3.5
4	WB2005-PT04-K	PHB-4A	6	10	4
5	WB2005-PT05-K	PHB-5A	8	12	6
6	WB2005-PT06-K	PHB-6A	10	14	8
7	WB2005-PT07-K	PHB-7A	12	16	10
8	WB2005-PT08-K	PHB-8A	14	18	12
9	WB2005-PT09-K	PHB-9A	16	20	14
10	WB2005-PT10-K	PHB-10A	18	22	16
11	WB2005-PT11-K	PHB-11A	20	24	18
12	WB2005-PT12-K	PHB-12A	22	26	20
13	WB2005-PT13-K	PHB-13A	24	28	22
14	WB2005-PT14-K	PHB-14A	26	30	24
15	WB2005-PT15-K	PHB-15A	28	32	26
16	WB2005-PT16-K	PHB-16A	30	34	28

2	Pin	Tin Plated Brass	N						
1	Housing	PA9T (UL94V-0)	1						
No.	Item/Material No.	Material	QTY	Remark					
Unmarked Tolerance		 Yueqing Hegxing Electronics Co., Ltd							
X. ° ±3° X. X° ±0.5°									
>0-3	>3-18	>18-50	>50-120	Unit	Scale	Design Unit	Size	Part No.	 
±0.12	±0.15	±0.3	±0.5	mm	—	Metric	A4		
Draw	Review	Approve	Material	Drawing No.	Part No.				
				Item	PHB-NA convex pin				

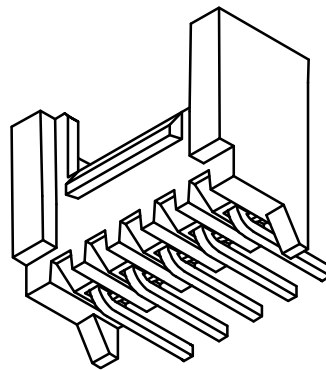
PHB Type Wafer



Poles	PAWDrt No.		Dimensions		
			A	B	C
2	WB2005-PS02	PHB-2AWD	2	6	3
3	WB2005-PS03	PHB-3AWD	4	8	3.5
4	WB2005-PS04	PHB-4AWD	6	10	4
5	WB2005-PS05	PHB-5AWD	8	12	6
6	WB2005-PS06	PHB-6AWD	10	14	8
7	WB2005-PS07	PHB-7AWD	12	16	10
8	WB2005-PS08	PHB-8AWD	14	18	12
9	WB2005-PS09	PHB-9AWD	16	20	14
10	WB2005-PS10	PHB-10AWD	18	22	16
11	WB2005-PS11	PHB-11AWD	20	24	18
12	WB2005-PS12	PHB-12AWD	22	26	20
13	WB2005-PS13	PHB-13AWD	24	28	22
14	WB2005-PS14	PHB-14AWD	26	30	24
15	WB2005-PS15	PHB-15AWD	28	32	26
16	WB2005-PS16	PHB-16AWD	30	34	28

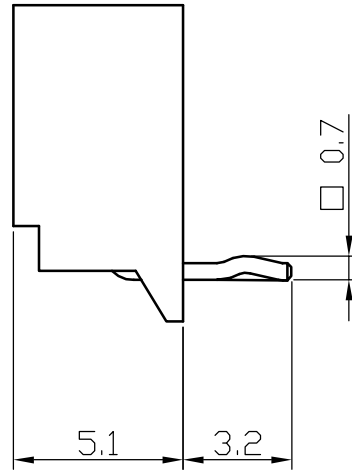
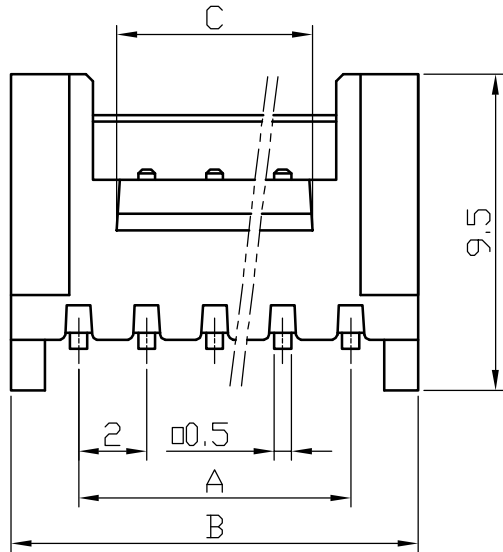


PCB Layout

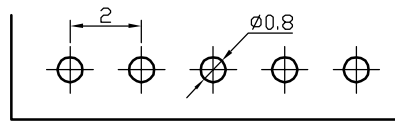


2	Pin	Tin Plated Brass	N						
1	Housing	PA9T (UL94V-0)	1						
No.	Item/Material No.	Material	QTY	Remark					
Unmarked Tolerance		Yueqing Hegxing Electronics Co., Ltd							
X. ° ±3° X. X° ±0.5°									
>0-3	>3-18	>18-50	>50-120	Unit	Scale	Design Unit	Size	Part No.	
±0.12	±0.15	±0.3	±0.5	mm	—	Metric	A4		
Draw	Review	Approve	Material	Drawing No.	Part No.				
				Item	PHB-NAWD				

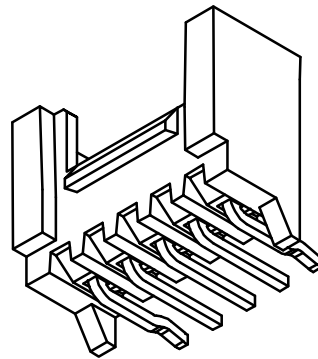
PHB Type Wafer






Poles	PAWDrt No.		Dimensions		
			A	B	C
2	WB2005-PS02-K	PHB-2AWD	2	6	3
3	WB2005-PS03-K	PHB-3AWD	4	8	3.5
4	WB2005-PS04-K	PHB-4AWD	6	10	4
5	WB2005-PS05-K	PHB-5AWD	8	12	6
6	WB2005-PS06-K	PHB-6AWD	10	14	8
7	WB2005-PS07-K	PHB-7AWD	12	16	10
8	WB2005-PS08-K	PHB-8AWD	14	18	12
9	WB2005-PS09-K	PHB-9AWD	16	20	14
10	WB2005-PS10-K	PHB-10AWD	18	22	16
11	WB2005-PS11-K	PHB-11AWD	20	24	18
12	WB2005-PS12-K	PHB-12AWD	22	26	20
13	WB2005-PS13-K	PHB-13AWD	24	28	22
14	WB2005-PS14-K	PHB-14AWD	26	30	24
15	WB2005-PS15-K	PHB-15AWD	28	32	26
16	WB2005-PS16-K	PHB-16AWD	30	34	28

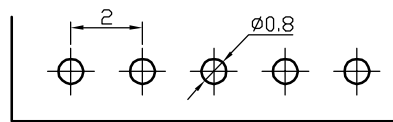
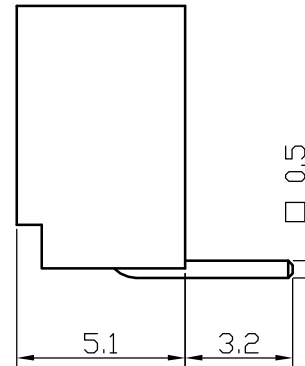
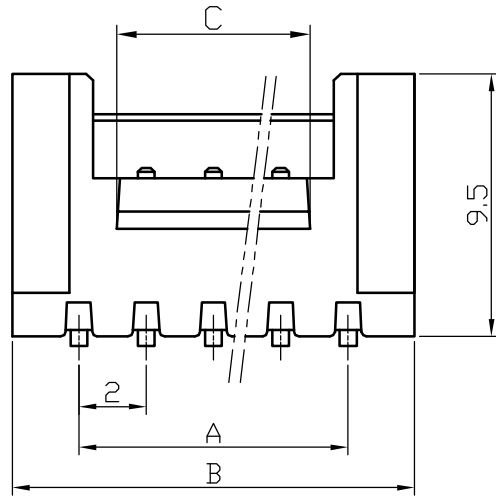


PCB Layout

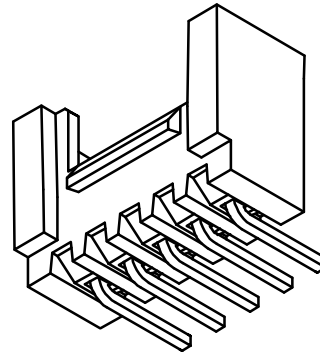


2	Pin	Tin Plated Brass	N						
1	Housing	PA9T (UL94V-0)	1						
No.	Item/Material No.	Material	QTY	Remark					
Unmarked Tolerance		 <b>Yueqing Hegxing Electronics Co., Ltd</b>							
X. ° ±3° X. X° ±0.5°									
>0-3	>3-18	>18-50	>50-120	Unit	Scale	Design Unit	Size	Part No.	 
±0.12	±0.15	±0.3	±0.5	mm	—	Metric	A4		
Draw	Review	Approve	Material	Drawing No.	Part No.				
			Item	PHB-NAWD convex pin					




PHB Type Wafer



PCB Layout

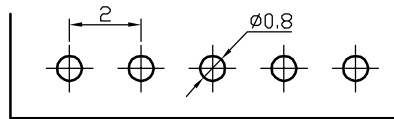
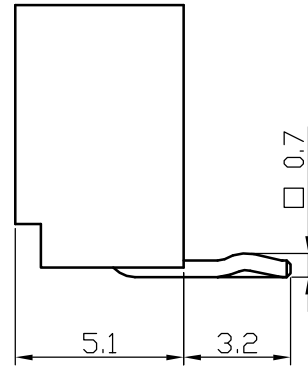
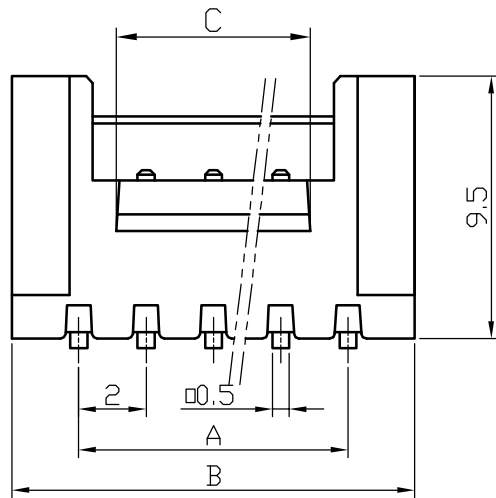


Poles	PAWDrt No.		Dimensions		
			A	B	C
2	WB2005-PSB02	PHB-2AW	2	6	3
3	WB2005-PSB03	PHB-3AW	4	8	3.5
4	WB2005-PSB04	PHB-4AW	6	10	4
5	WB2005-PSB05	PHB-5AW	8	12	6
6	WB2005-PSB06	PHB-6AW	10	14	8
7	WB2005-PSB07	PHB-7AW	12	16	10
8	WB2005-PSB08	PHB-8AW	14	18	12
9	WB2005-PSB09	PHB-9AW	16	20	14
10	WB2005-PSB10	PHB-10AW	18	22	16
11	WB2005-PSB11	PHB-11AW	20	24	18
12	WB2005-PSB12	PHB-12AW	22	26	20
13	WB2005-PSB13	PHB-13AW	24	28	22
14	WB2005-PSB14	PHB-14AW	26	30	24
15	WB2005-PSB15	PHB-15AW	28	32	26
16	WB2005-PSB16	PHB-16AW	30	34	28

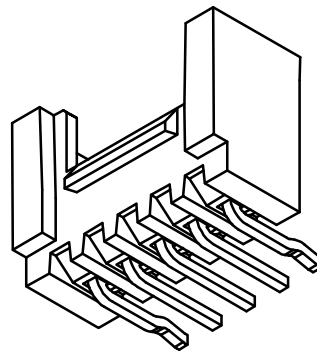
2	Pin	Tin Plated Brass	N						
1	Housing	PA9T (UL94V-0)	1						
No.	Item/Material No.	Material	QTY	Remark					
Unmarked Tolerance		 Yueqing Hegxing Electronics Co., Ltd							
X. ° ±3°	X. X° ±0.5°								
>0-3	>3-18	>18-50	>50-120	Unit	Scale	Design Unit	Size	Part No.	 
±0.12	±0.15	±0.3	±0.5	mm	—	Metric	A4		
Draw	Review	Approve	Material	Drawing No.			Part No.		
				Item	PHB-NAW				






PHB Type Wafer



PCB Layout



Poles	PAWDrt No.		Dimensions		
			A	B	C
2	WB2005-PSB02-K	PHB-2AW	2	6	3
3	WB2005-PSB03-K	PHB-3AW	4	8	3.5
4	WB2005-PSB04-K	PHB-4AW	6	10	4
5	WB2005-PSB05-K	PHB-5AW	8	12	6
6	WB2005-PSB06-K	PHB-6AW	10	14	8
7	WB2005-PSB07-K	PHB-7AW	12	16	10
8	WB2005-PSB08-K	PHB-8AW	14	18	12
9	WB2005-PSB09-K	PHB-9AW	16	20	14
10	WB2005-PSB10-K	PHB-10AW	18	22	16
11	WB2005-PSB11-K	PHB-11AW	20	24	18
12	WB2005-PSB12-K	PHB-12AW	22	26	20
13	WB2005-PSB13-K	PHB-13AW	24	28	22
14	WB2005-PSB14-K	PHB-14AW	26	30	24
15	WB2005-PSB15-K	PHB-15AW	28	32	26
16	WB2005-PSB16-K	PHB-16AW	30	34	28

2	Pin	Tin Plated Brass	N						
1	Housing	PA9T (UL94V-0)	1						
No.	Item/Material No.	Material	QTY	Remark					
Unmarked Tolerance		 Yueqing Hegxing Electronics Co., Ltd							
X. ° ±3° X. X° ±0.5°									
>0-3	>3-18	>18-50	>50-120	Unit	Scale	Design Unit	Size	Part No.	 
±0.12	±0.15	±0.3	±0.5	mm	—	Metric	A4		
Draw	Review	Approve	Material	Drawing No.	Part No.				
				Item	PHB-NAW convex pin				