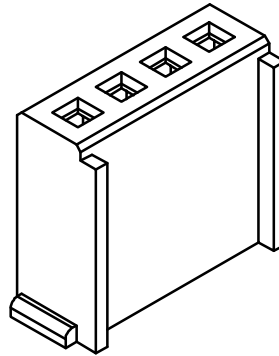
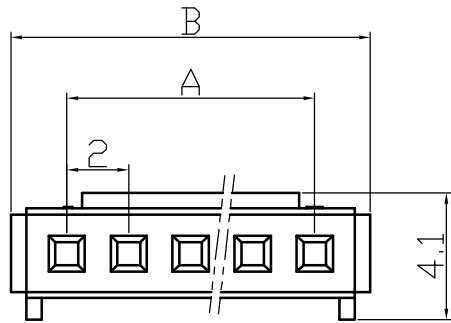
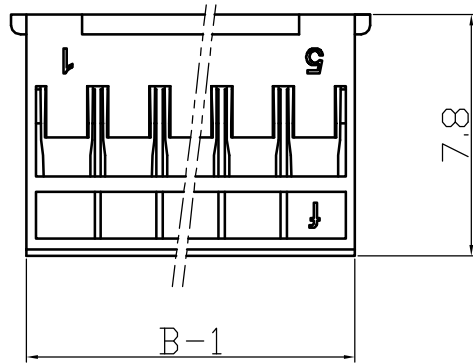




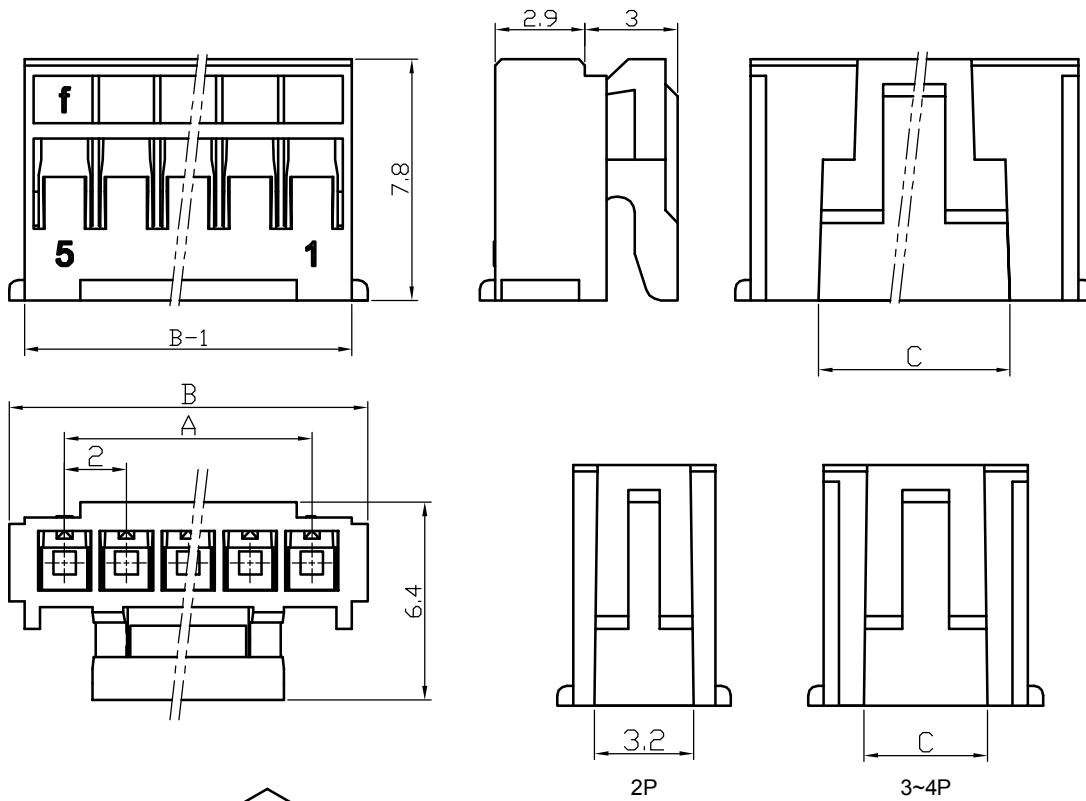
PHB Type Housing



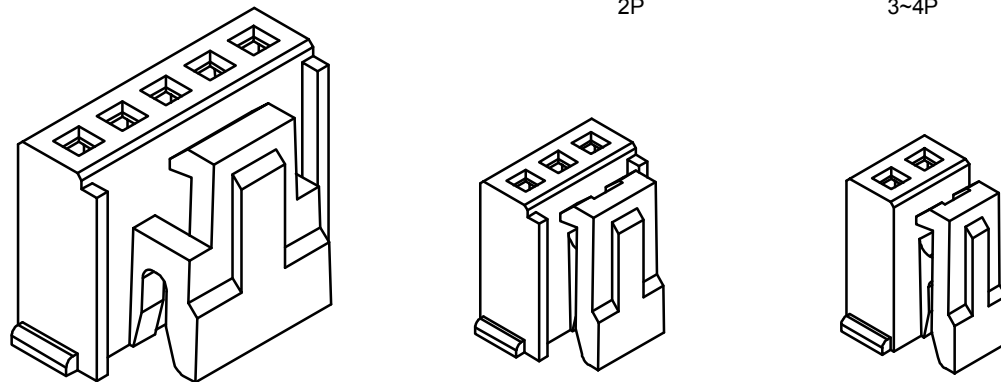
Poles	Part No.		Dimensions	
			A	B
2	WB2005-H02	PHB-2Y	2	5.6
3	WB2005-H03	PHB-3Y	4	7.6
4	WB2005-H04	PHB-4Y	6	9.6
5	WB2005-H05	PHB-5Y	8	11.6
6	WB2005-H06	PHB-6Y	10	13.6
7	WB2005-H07	PHB-7Y	12	15.6
8	WB2005-H08	PHB-8Y	14	17.6
9	WB2005-H09	PHB-9Y	16	19.6
10	WB2005-H10	PHB-10Y	18	21.6
11	WB2005-H11	PHB-11Y	20	23.6
12	WB2005-H12	PHB-12Y	22	25.6
13	WB2005-H13	PHB-13Y	24	27.6
14	WB2005-H14	PHB-14Y	26	29.6
15	WB2005-H15	PHB-15Y	28	31.6
16	WB2005-H16	PHB-16Y	30	33.6




1	Housing	PA66(UL94V-0/V-2)	1	White					
No.	Item/Material No.	Material	QTY	Remark					
Unmarked Tolerance		 Yueqing Hegxing Electronics Co., Ltd							
X. ° ±3° X. X° ±0.5°									
>0-3	>3-18	>18-50	>50-120	Unit	Scale	Design Unit	Size	Part No.	
±0.12	±0.15	±0.3	±0.5	mm	—	Metric	A4		
Draw	Review	Approve	Material	Drawing No.	Part No.				
				Item	PHB-HY				

PHB Type Housing

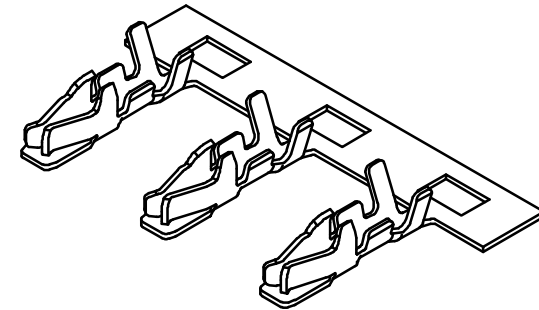
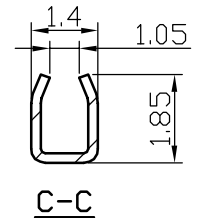
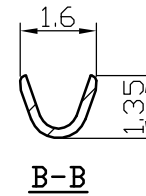
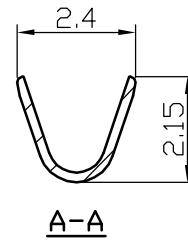
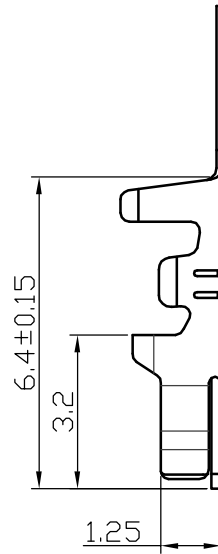
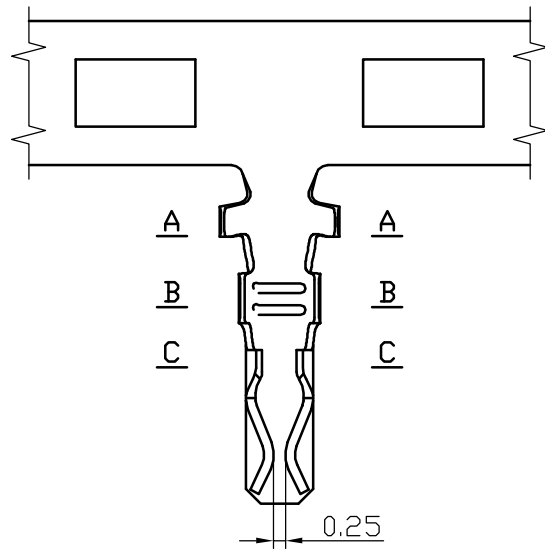



Poles	Part No.		Dimensions		
			A	B	C
2	WB2005-HB02	PHB-2Y with lock	2	5.6	3.2
3	WB2005-HB03	PHB-3Y with lock	4	7.6	4
4	WB2005-HB04	PHB-4Y with lock	6	9.6	5
5	WB2005-HB05	PHB-5Y with lock	8	11.6	6.2
6	WB2005-HB06	PHB-6Y with lock	10	13.6	8.2
7	WB2005-HB07	PHB-7Y with lock	12	15.6	10.2
8	WB2005-HB08	PHB-8Y with lock	14	17.6	12.2
9	WB2005-HB09	PHB-9Y with lock	16	19.6	14.2
10	WB2005-HB10	PHB-10Y with lock	18	21.6	16.2
11	WB2005-HB11	PHB-11Y with lock	20	23.6	14.2
12	WB2005-HB12	PHB-12Y with lock	22	25.6	16.2
13	WB2005-HB13	PHB-13Y with lock	24	27.6	16.2
14	WB2005-HB14	PHB-14Y with lock	26	29.6	16.2
15	WB2005-HB15	PHB-15Y with lock	28	31.6	16.2
16	WB2005-HB16	PHB-16Y with lock	30	33.6	16.2



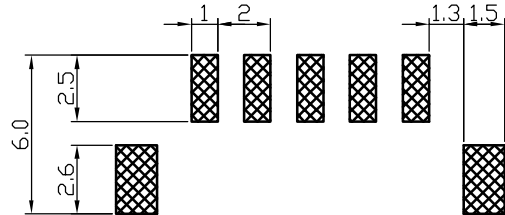
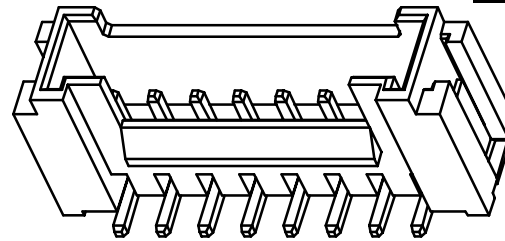
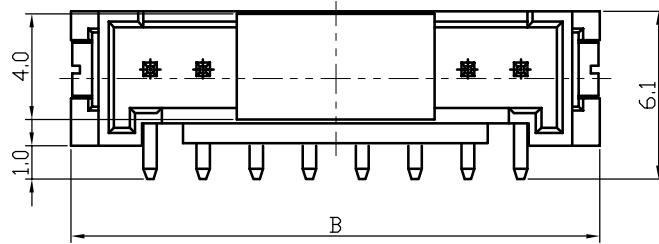
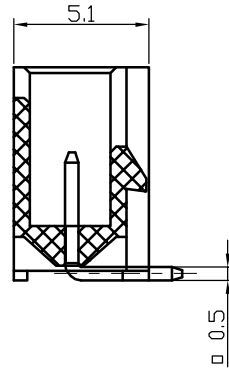
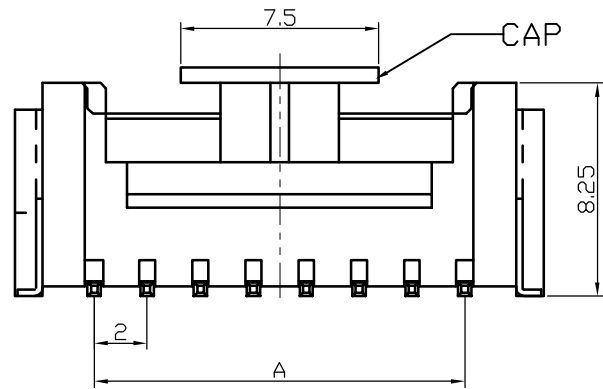
1	Housing	PA66(UL94V-0/V-2)	1	White					
No.	Item/Material No.	Material	QTY	Remark					
Unmarked Tolerance		 Yueqing Hegxing Electronics Co., Ltd							
X. ° ±3°	X. X° ±0.5°								
>0-3	>3-18	>18-50	>50-120	Unit	Scale	Design Unit	Size	Part No.	 
±0.12	±0.15	±0.3	±0.5	mm	—	Metric	A4		
Draw	Review	Approve	Material	Drawing No.	Part No.				
				Item	PHB-HY with lock				

PHB Type Terminal



1	WB2005-T	Phospher Bronze	1	
No.	Item/Material No.	Material	QTY	Remark
Unmarked Tolerance		 Yueqing Hegxing Electronics Co., Ltd		
X. ° ±3° X. X° ±0.5°				
>0-3	>3-18	>18-50	>50-120	
±0.12	±0.15	±0.3	±0.5	
Unit	Scale	Design Unit	Size	Part No.
mm	—	Metric	A4	
Draw	Review	Approve	Material	Drawing No.
			Item	PHB-T

PBT Type Wafer

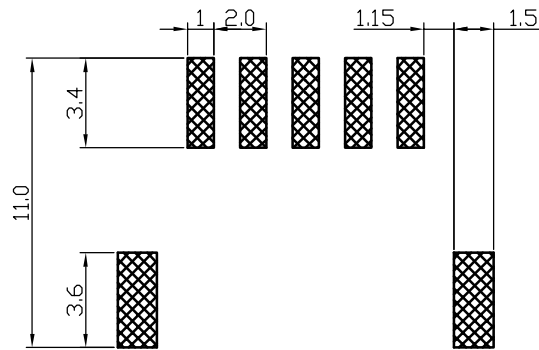
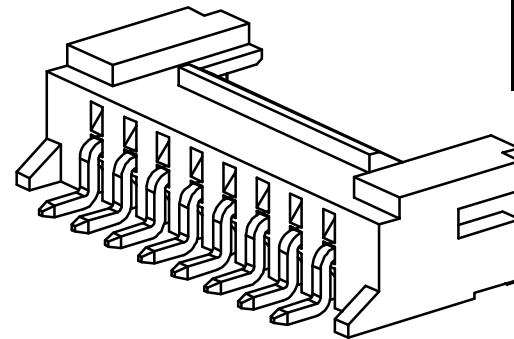
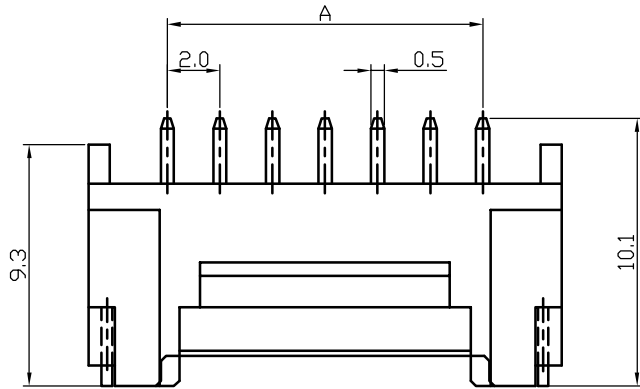
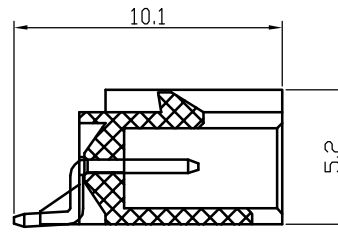
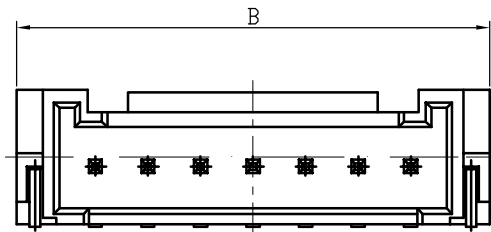


PCB Layout

Poles	Part No.		Dimensions	
			A	B
2	WB2005-ST02	PHB-2AW	2	8
3	WB2005-ST03	PHB-3AW	4	10
4	WB2005-ST04	PHB-4AW	6	12
5	WB2005-ST05	PHB-5AW	8	14
6	WB2005-ST06	PHB-6AW	10	16
7	WB2005-ST07	PHB-7AW	12	18
8	WB2005-ST08	PHB-8AW	14	20
9	WB2005-ST09	PHB-9AW	16	22
10	WB2005-ST10	PHB-10AW	18	24
11	WB2005-ST11	PHB-11AW	20	26
12	WB2005-ST12	PHB-12AW	22	28
13	WB2005-ST13	PHB-13AW	24	30
14	WB2005-ST14	PHB-14AW	26	32
15	WB2005-ST15	PHB-15AW	28	34
16	WB2005-ST16	PHB-16AW	30	36

4	Cap	LCP (UL94V-0)	1						
3	Soldering Lug	Tin Plated Brass	2						
2	Pin	Tin Plated Brass	N						
1	Housing	LCP (UL94V-0)	1						
No.	Item/Material No.	Material	QTY	Remark					
Unmarked Tolerance		Yueqing Hegxing Electronics Co., Ltd							
X. ° ±3° X. X° ±0.5°									
>0-3	>3-18	>18-50	>50-120	Unit	Scale	Design Unit	Size	Part No.	
±0.12	±0.15	±0.3	±0.5	mm	—	Metric	A4		
Draw	Review	Approve	Material	Drawing No.			Part No.		
				Item	PHB-NAW				

PBT Type Wafer



PCB Layout

Poles	Part No.		Dimensions	
			A	B
2	WB2005-SSB02	PHB-2AWB	2	8
3	WB2005-SSB03	PHB-3AWB	4	10
4	WB2005-SSB04	PHB-4AWB	6	12
5	WB2005-SSB05	PHB-5AWB	8	14
6	WB2005-SSB06	PHB-6AWB	10	16
7	WB2005-SSB07	PHB-7AWB	12	18
8	WB2005-SSB08	PHB-8AWB	14	20
9	WB2005-SSB09	PHB-9AWB	16	22
10	WB2005-SSB10	PHB-10AWB	18	24
11	WB2005-SSB11	PHB-11AWB	20	26
12	WB2005-SSB12	PHB-12AWB	22	28
13	WB2005-SSB13	PHB-13AWB	24	30
14	WB2005-SSB14	PHB-14AWB	26	32
15	WB2005-SSB15	PHB-15AWB	28	34
16	WB2005-SSB16	PHB-16AWB	30	36

3	Soldering Lug	Tin Plated Brass	2						
2	Pin	Tin Plated Brass	N						
1	Housing	LCP (UL94V-0)	1						
No.	Item/Material No.	Material	QTY	Remark					
Unmarked Tolerance		Yueqing Hegxing Electronics Co., Ltd							
X. ° ±3° X. X. ° ±0.5°									
>0-3	>3-18	>18-50	>50-120	Unit	Scale	Design Unit	Size	Part No.	
±0.12	±0.15	±0.3	±0.5	mm	—	Metric	A4		
Draw	Review	Approve	Material	Drawing No.	Part No.				
				Item	PHB-NAWB				