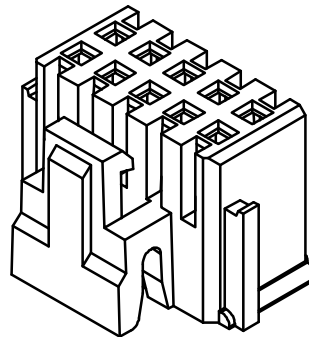
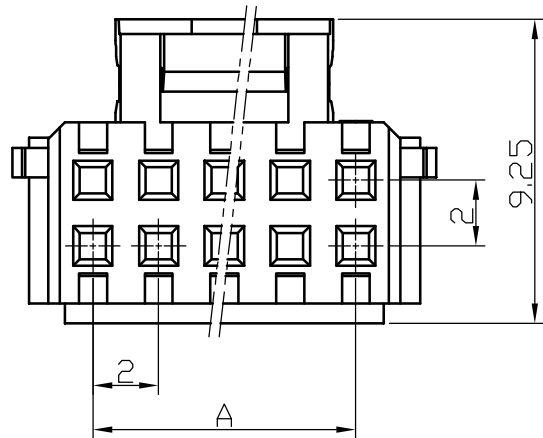
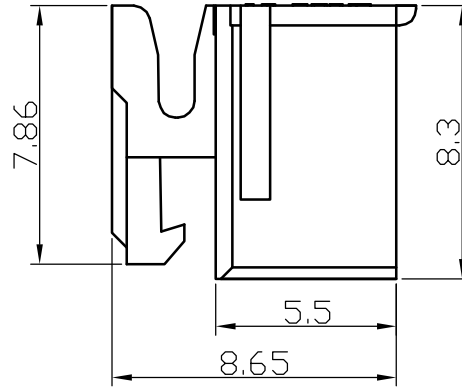
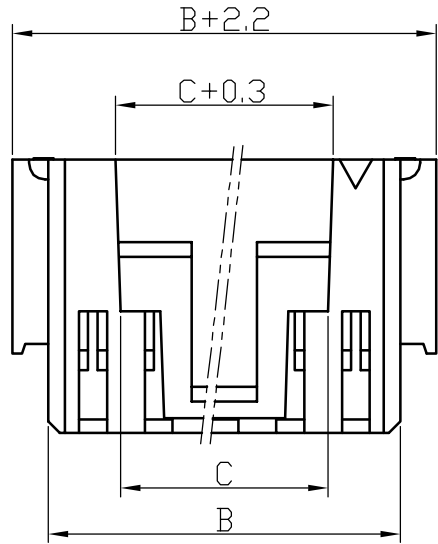

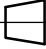


PHSD Type Housing

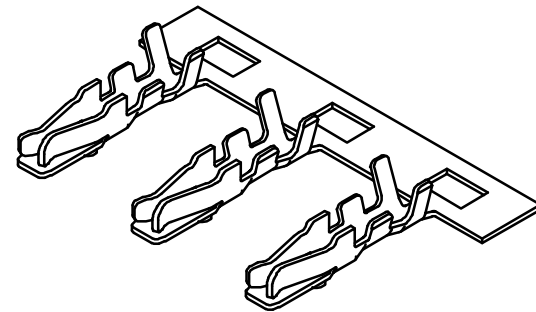
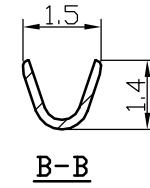
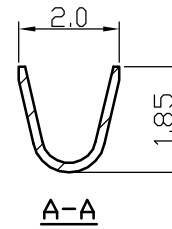
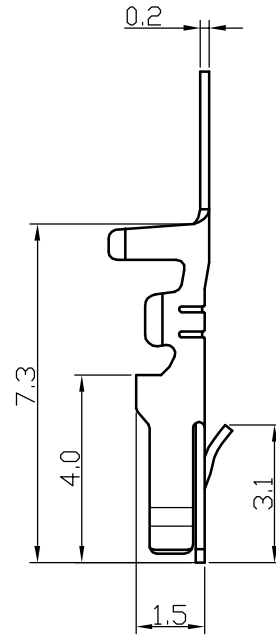
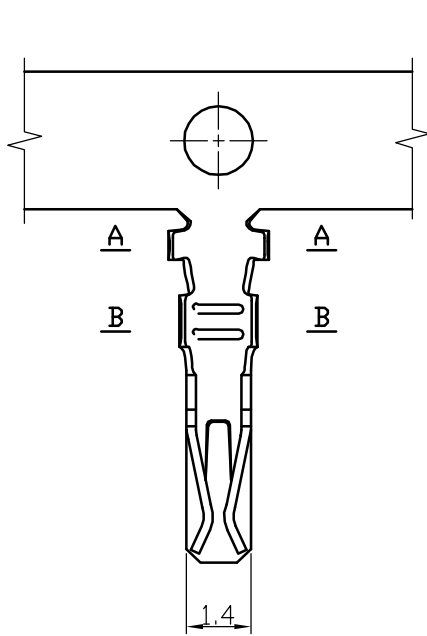




Poles	Part No.		Dimensions		
			A	B	C
4	WB2006-H02x2	PHSD-2x2Y	2	4.7	2.8
6	WB2006-H03x2	PHSD-2x3Y	4	6.7	3.1
8	WB2006-H04x2	PHSD-2x4Y	6	8.7	3.4
10	WB2006-H05x2	PHSD-2x5Y	8	10.7	3.7
12	WB2006-H06x2	PHSD-2x6Y	10	12.7	4
14	WB2006-H07x2	PHSD-2x7Y	12	14.7	4.3
16	WB2006-H08x2	PHSD-2x8Y	14	16.7	4.6
18	WB2006-H09x2	PHSD-2x9Y	16	18.7	4.9
20	WB2006-H10x2	PHSD-2x10Y	18	20.7	5.2
22	WB2006-H11x2	PHSD-2x11Y	20	22.7	5.5
-	-	-	-	-	-
60	WB2006-H30x2	PHSD-2x30Y	58	60.7	16

8	WB2006-HB04x2	PHSD-2x4Y wide lock	6	8.7	5.15
10	WB2006-HB05x2	PHSD-2x30Y wide lock	8	10.7	6.35
14	WB2006-HB07x2	PHSD-2x30Y wide lock	12	14.7	9
18	WB2006-HB09x2	PHSD-2x30Y wide lock	16	18.7	11.15

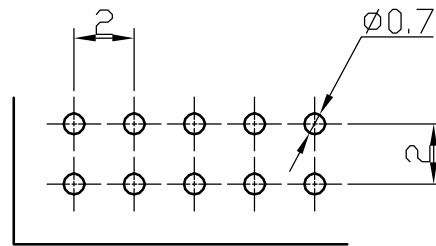
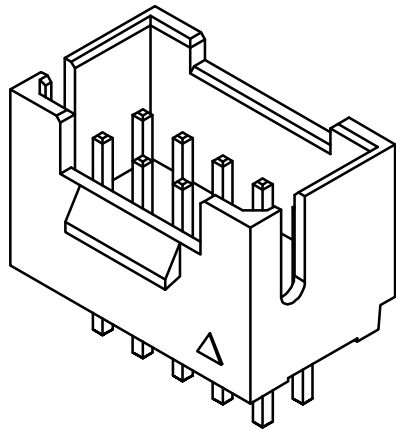
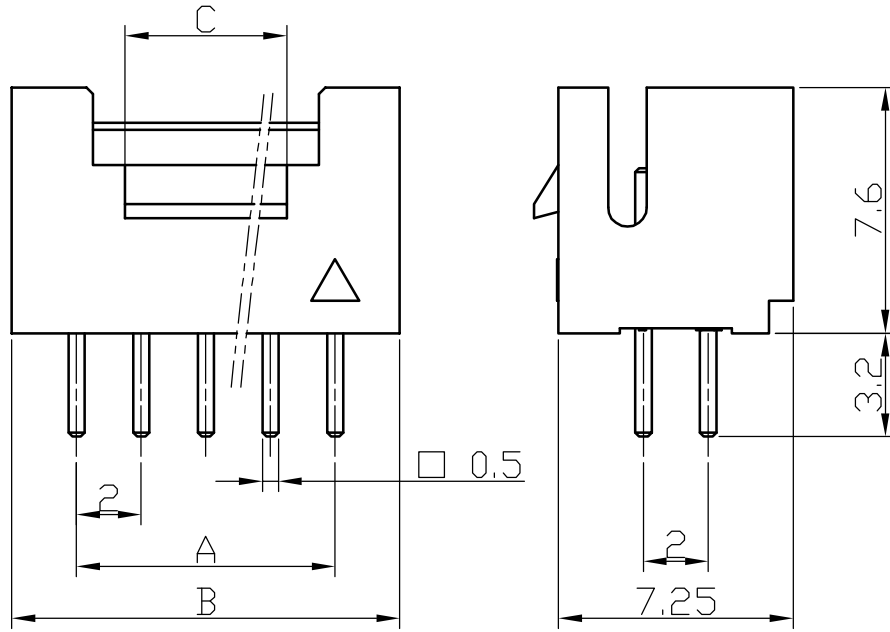
1	Housing	PA66(UL94V-0/V-2)	1	White					
No.	Item/Material No.	Material	QTY	Remark					
Unmarked Tolerance		 Yueqing Hegxing Electronics Co., Ltd							
X. ° ±3° X. X° ±0.5°									
>0-3	>3-18	>18-50	>50-120	Unit	Scale	Design Unit	Size	Part No.	 
±0.12	±0.15	±0.3	±0.5	mm	—	Metric	A4		
Draw	Review	Approve	Material	Drawing No.	Part No.				
				Item	PHSD-2xNY				

PHSD-T Type Terminal



1	WB2006-TP2	Phospher Bronze	1						
No.	Item/Material No.	Material	QTY	Remark					
Unmarked Tolerance		 Yueqing Hegxing Electronics Co., Ltd							
X. ° ±3° X. X° ±0.5°									
>0-3	>3-18	>18-50	>50-120	Unit	Scale	Design Unit	Size	Part No.	
±0.12	±0.15	±0.3	±0.5	mm	—	Metric	A4		
Draw	Review	Approve	Material	Drawing No.			Part No.		
				Item	PHSD-T				

PHSD Type Wafer

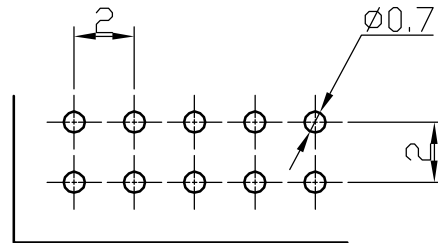
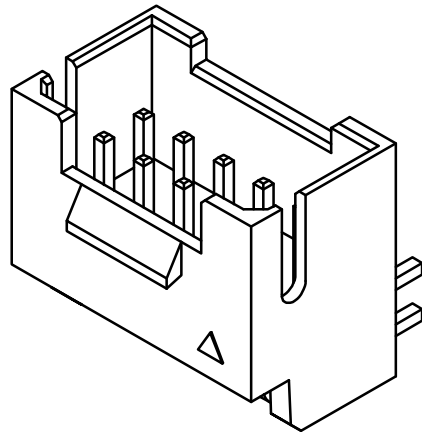
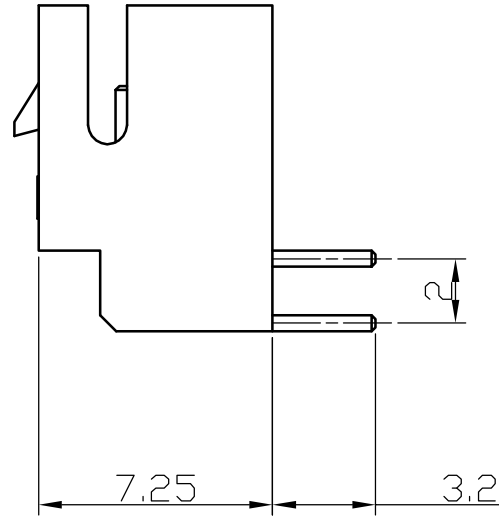
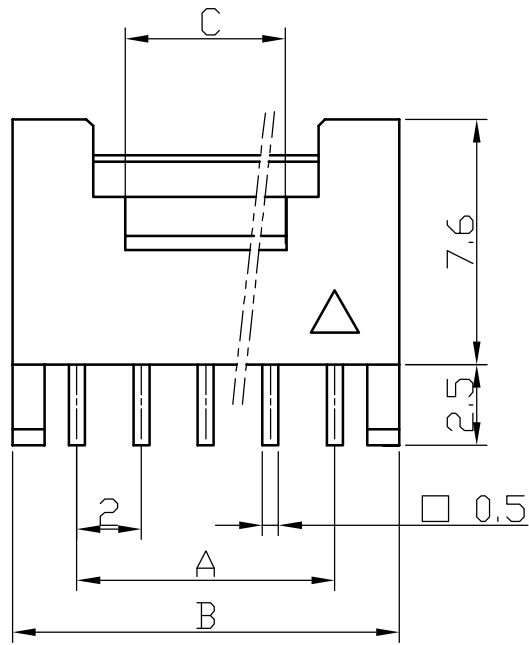


PCB Layout

Poles	Part No.		Dimensions		
			A	B	C
4	WB2006-PT02x2	PHSD-2x2A	2	6	3
6	WB2006-PT03x2	PHSD-2x3A	4	8	3
8	WB2006-PT04x2	PHSD-2x4A	6	10	3
10	WB2006-PT05x2	PHSD-2x5A	8	12	5
12	WB2006-PT06x2	PHSD-2x6A	10	14	7
14	WB2006-PT07x2	PHSD-2x7A	12	16	9
16	WB2006-PT08x2	PHSD-2x8A	14	18	11
18	WB2006-PT09x2	PHSD-2x9A	16	20	13
20	WB2006-PT10x2	PHSD-2x10A	18	22	15
22	WB2006-PT11x2	PHSD-2x11A	20	24	17
-	-	-	-	-	-
60	WB2006-PT30x2	PHSD-2x30A	58	62	55




2	Pin	Tin Plated Brass	N						
1	Housing	PA9T (UL94V-0)	1						
No.	Item/Material No.	Material	QTY	Remark					
Unmarked Tolerance		Yueqing Hegxing Electronics Co., Ltd							
X. ° ±3° X. X° ±0.5°									
>0-3	>3-18	>18-50	>50-120	Unit	Scale	Design Unit	Size	Part No.	
±0.12	±0.15	±0.3	±0.5	mm	—	Metric	A4		
Draw	Review	Approve	Material	Drawing No.	Part No.				
				Item	PHSD-2xNA				

PHSD Type Wafer

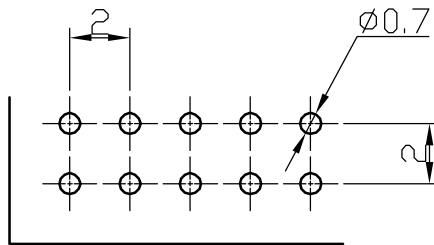
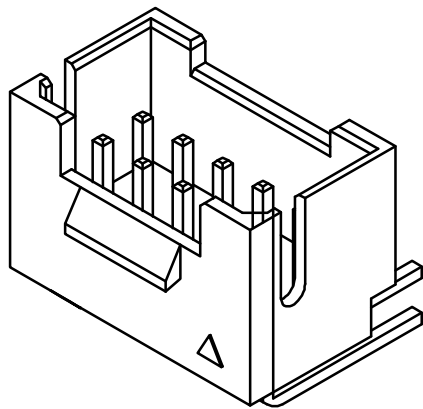
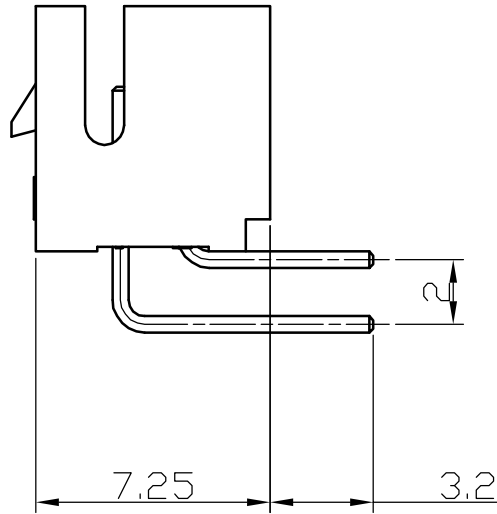
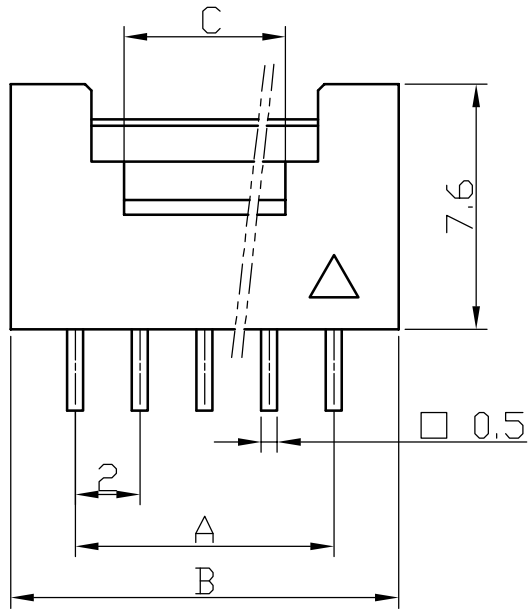


PCB Layout

Poles	Part No.		Dimensions		
			A	B	C
4	WB2006-PS02x2	PHSD-2x2AWD	2	6	3
6	WB2006-PS03x2	PHSD-2x3AWD	4	8	3
8	WB2006-PS04x2	PHSD-2x4AWD	6	10	3
10	WB2006-PS05x2	PHSD-2x5AWD	8	12	5
12	WB2006-PS06x2	PHSD-2x6AWD	10	14	7
14	WB2006-PS07x2	PHSD-2x7AWD	12	16	9
16	WB2006-PS08x2	PHSD-2x8AWD	14	18	11
18	WB2006-PS09x2	PHSD-2x9AWD	16	20	13
20	WB2006-PS10x2	PHSD-2x10AWD	18	22	15
22	WB2006-PS11x2	PHSD-2x11AWD	20	24	17
-	-	-	-	-	-
60	WB2006-PS30x2	PHSD-2x30AWD	58	62	55

2	Pin	Tin Plated Brass	N						
1	Housing	PA9T (UL94V-0)	1						
No.	Item/Material No.	Material	QTY	Remark					
Unmarked Tolerance		 Yueqing Hegxing Electronics Co., Ltd							
X. ° ±3° X. X° ±0.5°									
>0-3	>3-18	>18-50	>50-120	Unit	Scale	Design Unit	Size	Part No.	 
±0.12	±0.15	±0.3	±0.5	mm	—	Metric	A4		
Draw	Review	Approve	Material	Drawing No.	Part No.				
				Item	PHSD-2xNAWD				

PHSD Type Wafer



PCB Layout

Poles	Part No.		Dimensions		
			A	B	C
4	WB2006-PSB02x2	PHSD-2x2AW	2	6	3
6	WB2006-PSB03x2	PHSD-2x3AW	4	8	3
8	WB2006-PSB04x2	PHSD-2x4AW	6	10	3
10	WB2006-PSB05x2	PHSD-2x5AW	8	12	5
12	WB2006-PSB06x2	PHSD-2x6AW	10	14	7
14	WB2006-PSB07x2	PHSD-2x7AW	12	16	9
16	WB2006-PSB08x2	PHSD-2x8AW	14	18	11
18	WB2006-PSB09x2	PHSD-2x9AW	16	20	13
20	WB2006-PSB10x2	PHSD-2x10AW	18	22	15
22	WB2006-PSB11x2	PHSD-2x11AW	20	24	17
-	-	-	-	-	-
60	WB2006-PSB30x2	PHSD-2x30AW	58	62	55

2	Pin	Tin Plated Brass	N						
1	Housing	PA9T (UL94V-0)	1						
No.	Item/Material No.	Material	QTY	Remark					
Unmarked Tolerance		Yueqing Hegxing Electronics Co., Ltd							
X. ° ±3° X. X° ±0.5°									
>0-3	>3-18	>18-50	>50-120	Unit	Scale	Design Unit	Size	Part No.	
±0.12	±0.15	±0.3	±0.5	mm	—	Metric	A4		
Draw	Review	Approve	Material	Drawing No.	Part No.				
				Item	PHSD-2xNAW				