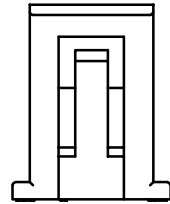
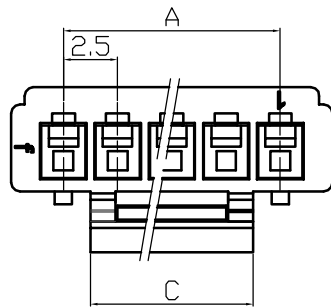
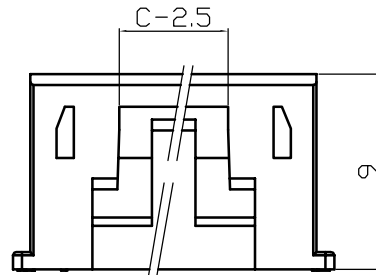
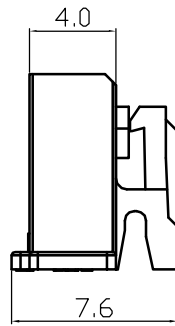
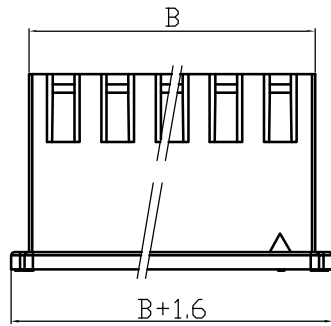
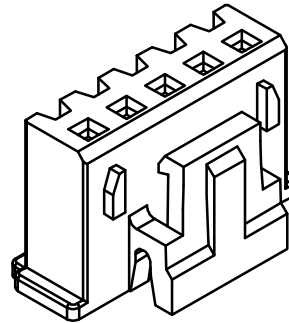


XHB Type Housing



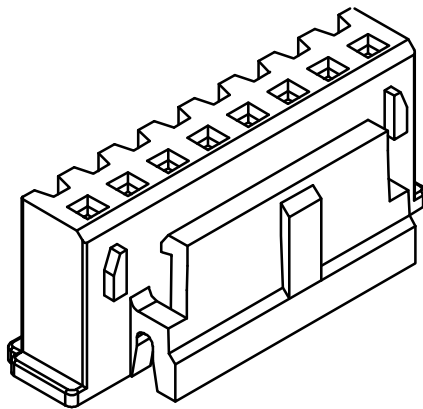
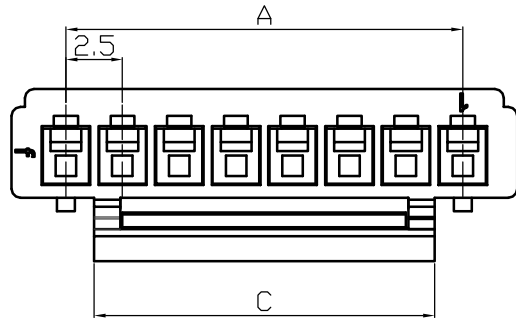
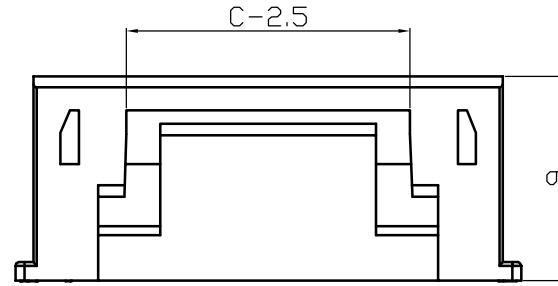
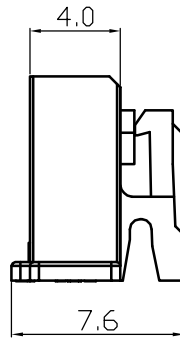
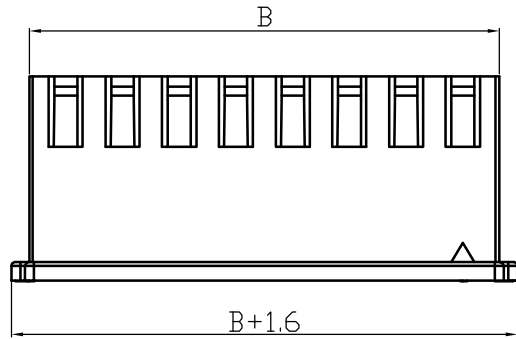
2P





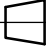
Poles	Part No.		Dimensions		
			A	B	C
2	WB2502-H02	XHB-2Y	2.5	5.7	3
3	WB2502-H03	XHB-3Y	5	8.2	4
4	WB2502-H04	XHB-4Y	7.5	10.7	5
5	WB2502-H05	XHB-5Y	10	13.2	7.5
6	WB2502-H06	XHB-6Y	12.5	15.7	10
7	WB2502-H07	XHB-7Y	15	18.2	12.5
8	WB2502-H08	XHB-8Y	17.5	20.7	12.5
9	WB2502-H09	XHB-9Y	20	23.2	12.5
10	WB2502-H10	XHB-10Y	22.5	25.7	12.5
11	WB2502-H11	XHB-11Y	25	28.2	12.5
-	-	-	-	-	-
20	WB2502-H20	XHB-20Y	47.5	50.7	12.5

1	Housing	PA66(UL94V-0/V-2)	1	White					
No.	Item/Material No.	Material	QTY	Remark					
Unmarked Tolerance		 Yueqing Hegxing Electronics Co., Ltd							
X. ° ±3° X. X ° ±0.5°									
>0-3	>3-18	>18-50	>50-120	Unit	Scale	Design Unit	Size	Part No.	 
±0.12	±0.15	±0.3	±0.5	mm	—	Metric	A4		
Draw	Review	Approve	Material	Drawing No.			Part No.		
				Item	XHB-NY				

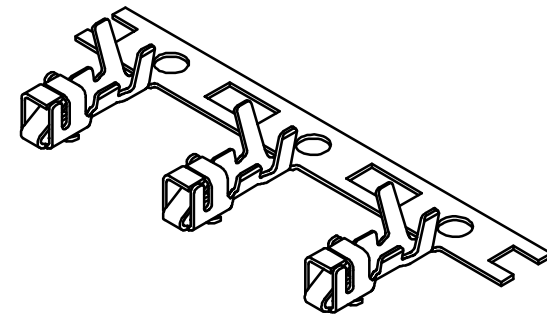
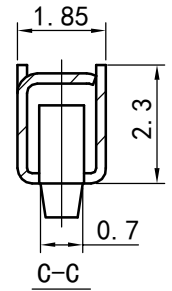
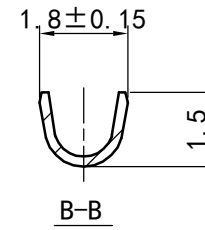
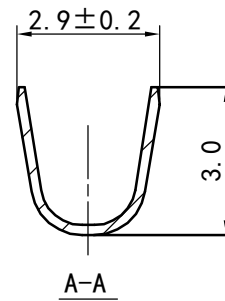
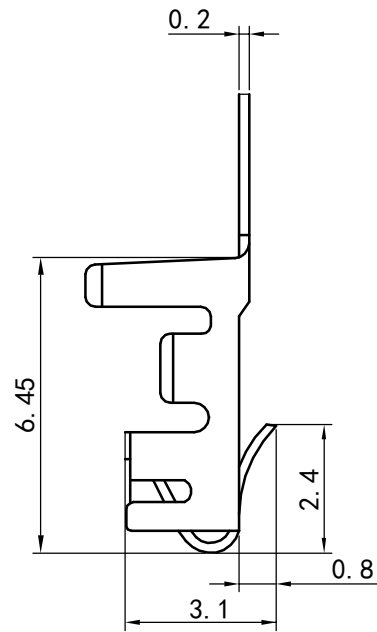
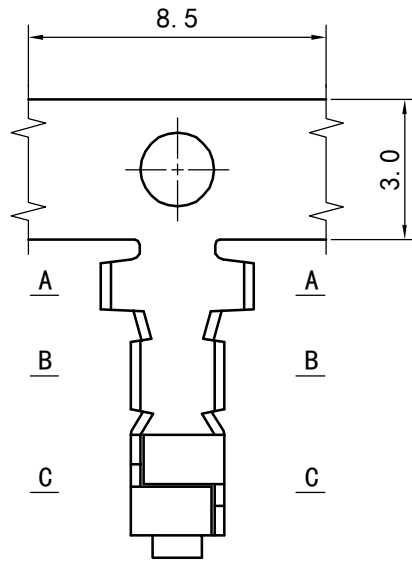
XHB Type Housing




Poles	Part No.		Dimensions		
			A	B	C
8	WB2502-H08	XHB-8Y	17.5	22.3	17.5
9	WB2502-H09	XHB-9Y	20	24.8	17.5
10	WB2502-H10	XHB-10Y	22.5	27.3	17.5
11	WB2502-H11	XHB-11Y	25	29.8	17.5
12	WB2502-H12	XHB-12Y	27.5	32.3	17.5
13	WB2502-H13	XHB-13Y	30	34.8	17.5
14	WB2502-H14	XHB-14Y	32.5	37.3	17.5
15	WB2502-H15	XHB-15Y	35	39.8	17.5
16	WB2502-H16	XHB-16Y	37.5	42.3	17.5
17	WB2502-H17	XHB-17Y	40	44.8	17.5
18	WB2502-H18	XHB-18Y	42.5	47.3	17.5
19	WB2502-H19	XHB-19Y	45	49.8	17.5
20	WB2502-H20	XHB-20Y	47.5	52.3	17.5

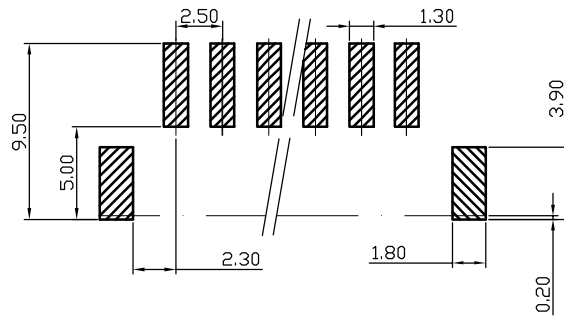
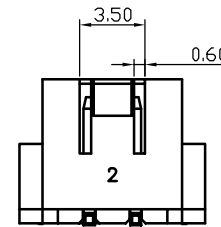
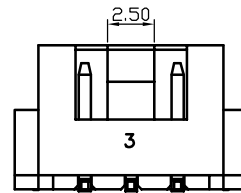
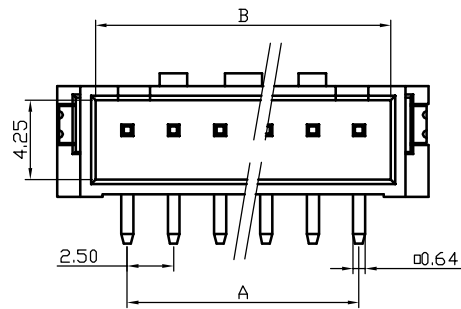
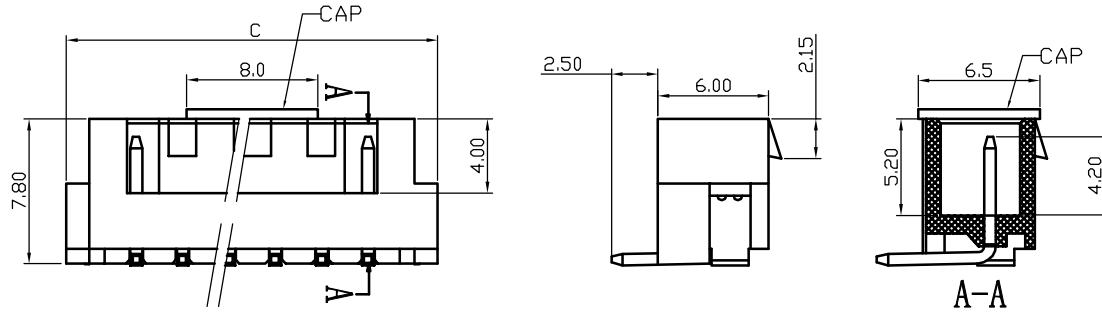
1	Housing	PA66(UL94V-0/V-2)	1	White					
No.	Item/Material No.	Material	QTY	Remark					
Unmarked Tolerance		 Yueqing Hegxing Electronics Co., Ltd							
X. ° ±3° X. X° ±0.5°									
>0-3	>3-18	>18-50	>50-120	Unit	Scale	Design Unit	Size	Part No.	 
±0.12	±0.15	±0.3	±0.5	mm	—	Metric	A4		
Draw	Review	Approve	Material	Drawing No.			Part No.		
				Item	XHB-NY wide lock				

XH Type Terminal



1	WB2501-T	Phosphor Bronze	1	
No.	Item/Material No.	Material	QTY	Remark
Unmarked Tolerance		 Yueqing Hegxing Electronics Co., Ltd		
X. ° ±3° X. X° ±0.5°				
>0-3	>3-18	>18-50	>50-120	
±0.12	±0.15	±0.3	±0.5	
Unit	Scale	Design Unit	Size	Part No.
mm	—	Metric	A4	
Draw	Review	Approve	Material	Drawing No.
				Part No.
			Item	XH-T11

XHB Type Wafer

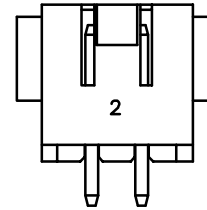
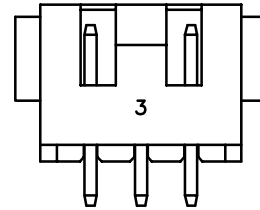
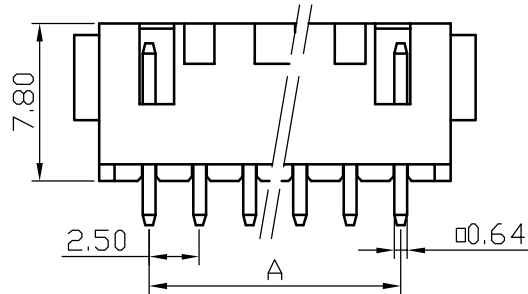
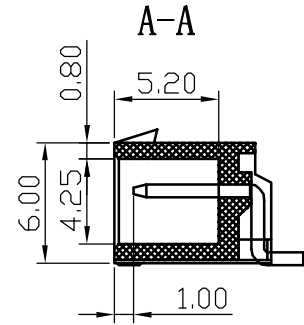
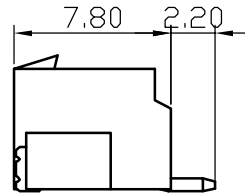
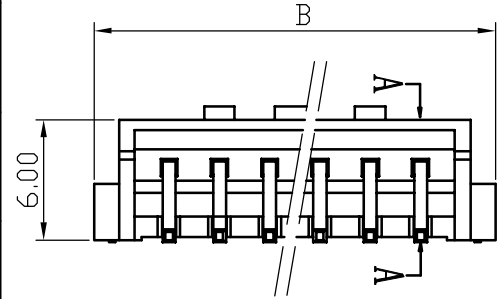


PCB Layout

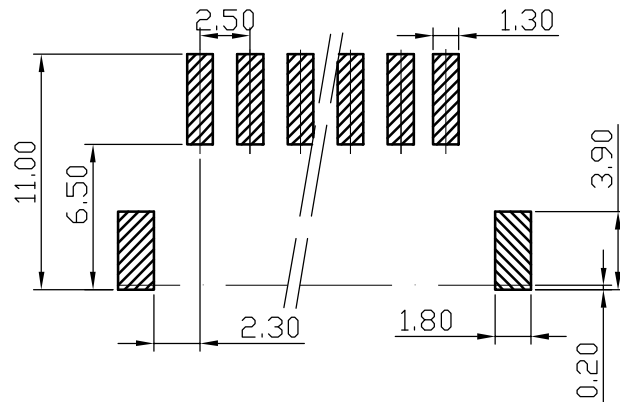
Poles	Part No.		Dimensions		
			A	B	C
2	WB2502-ST02	XHB-2AB	2.5	5.9	10
3	WB2502-ST03	XHB-3AB	5	8.4	12.5
4	WB2502-ST04	XHB-4AB	7.5	10.9	15
5	WB2502-ST05	XHB-5AB	10	13.4	17.5
6	WB2502-ST06	XHB-6AB	12.5	15.9	20
7	WB2502-ST07	XHB-7AB	15	18.4	22.5
8	WB2502-ST08	XHB-8AB	17.5	20.9	25
9	WB2502-ST09	XHB-9AB	20	23.4	27.5
10	WB2502-ST10	XHB-10AB	22.5	25.9	30
11	WB2502-ST11	XHB-11AB	25	28.4	32.5
-	-	-	-	-	-
16	WB2502-ST16	XHB-16AB	37.5	40.9	45

4	Cap	LCP	1						
3	Soldering Lug	Tin Plated Bronze	2						
2	Pin	Tin Plated Brass	N						
1	Housing	LCP	1						
No.	Item/Material No.	Material	QTY	Remark					
Unmarked Tolerance		Yueqing Hegxing Electronics Co., Ltd							
X.° ±3° X.X° ±0.5°									
>0-3	>3-18	>18-50	>50-120	Unit	Scale	Design Unit	Size	Part No.	
±0.12	±0.15	±0.3	±0.5	mm	—	Metric	A4		
Draw	Review	Approve	Material	Drawing No.	Part No.				
				Item	XHB-NAB-80				




XHB Type Wafer



Poles	Part No.		Dimensions		
			A	B	C
2	WB2502-SS02	XHB-2AWB	2.5	5.9	10
3	WB2502-SS03	XHB-3AWB	5	8.4	12.5
4	WB2502-SS04	XHB-4AWB	7.5	10.9	15
5	WB2502-SS05	XHB-5AWB	10	13.4	17.5
6	WB2502-SS06	XHB-6AWB	12.5	15.9	20
7	WB2502-SS07	XHB-7AWB	15	18.4	22.5
8	WB2502-SS08	XHB-8AWB	17.5	20.9	25
9	WB2502-SS09	XHB-9AWB	20	23.4	27.5
10	WB2502-SS10	XHB-10AWB	22.5	25.9	30
11	WB2502-SS11	XHB-11AWB	25	28.4	32.5
-	-	-	-	-	-
16	WB2502-SS16	XHB-16AWB	37.5	40.9	45



PCB Layout

4	Cap	LCP	1						
3	Soldering Lug	Tin Plated Bronze	2						
2	Pin	Tin Plated Brass	N						
1	Housing	LCP	1						
No.	Item/Material No.	Material	QTY	Remark					
Unmarked Tolerance		 Yueqing Hegxing Electronics Co., Ltd							
X. ° ±3° X. X° ±0.5°									
>0-3	>3-18	>18-50	>50-120	Unit	Scale	Design Unit	Size	Part No.	 
±0.12	±0.15	±0.3	±0.5	mm	—	Metric	A4		
Draw	Review	Approve	Material	Drawing No.	Part No.				
				Item	XHB-NAWB-80				