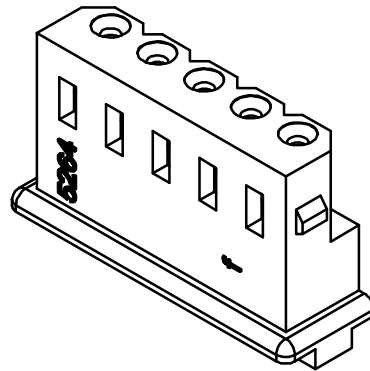
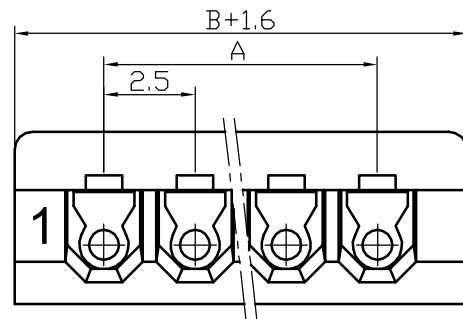
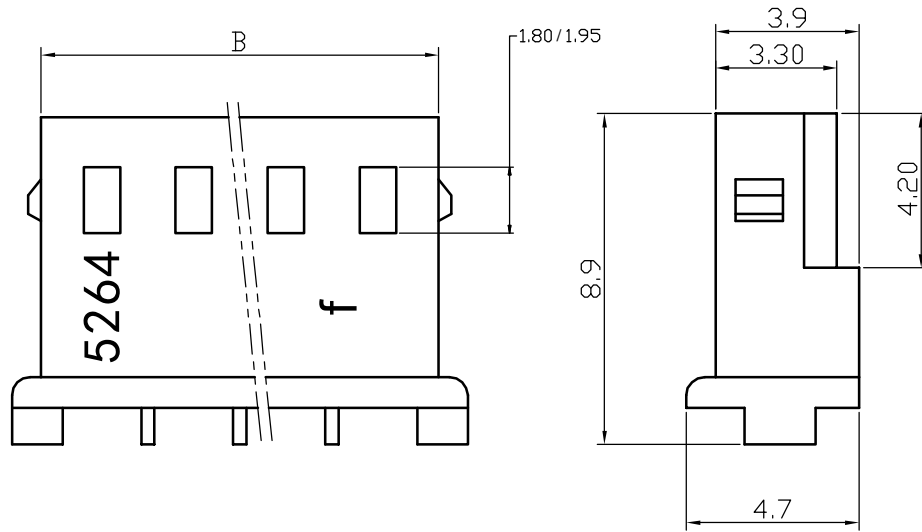





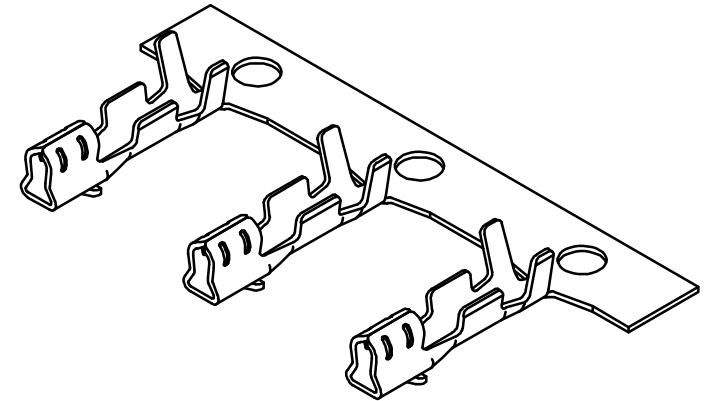
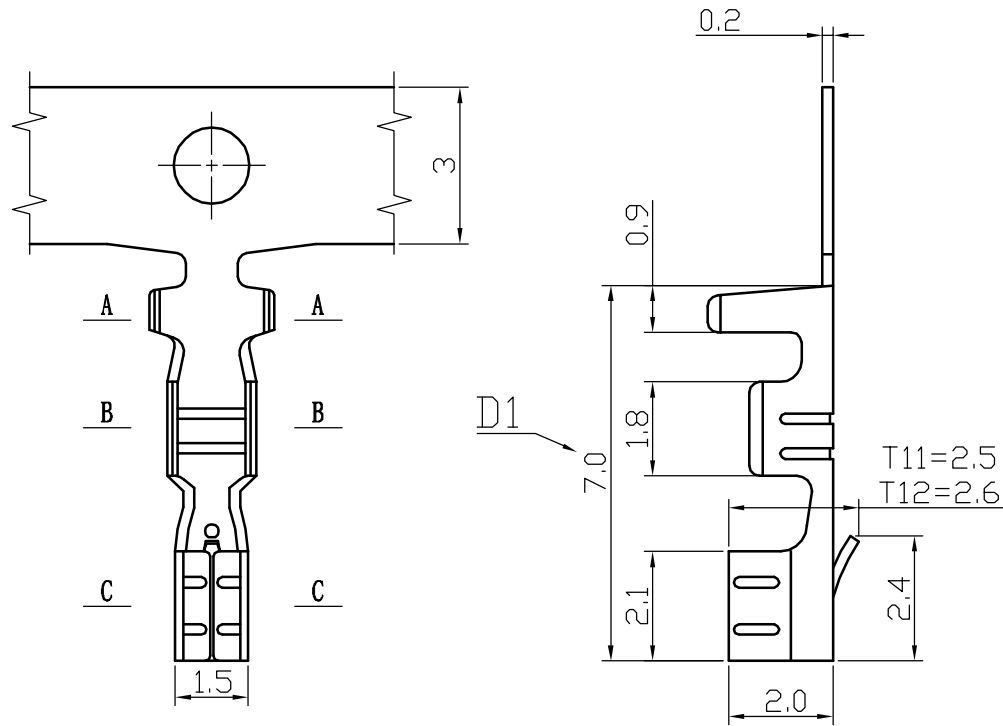
5264 Type Housing



Poles	Part No.		Dimensions	
			A	B
2	WB2505-H02	5264-2Y	2.5	5.8
3	WB2505-H03	5264-3Y	5	8.3
4	WB2505-H04	5264-4Y	7.5	10.8
5	WB2505-H05	5264-5Y	10	13.3
6	WB2505-H06	5264-6Y	12.5	15.8
7	WB2505-H07	5264-7Y	15	18.3
8	WB2505-H08	5264-8Y	17.5	20.8
9	WB2505-H09	5264-9Y	20	23.3
10	WB2505-H10	5264-10Y	22.5	25.8
11	WB2505-H11	5264-11Y	25	28.3
12	WB2505-H12	5264-12Y	27.5	30.8
13	WB2505-H13	5264-13Y	30	33.3
14	WB2505-H14	5264-14Y	32.5	35.8
15	WB2505-H15	5264-15Y	35	38.3
16	WB2505-H16	5264-16Y	37.5	40.8


1	Housing	PA66(UL94V-0/V-2)	1	White					
No.	Item/Material No.	Material	QTY	Remark					
Unmarked Tolerance		 Yueqing Hegxing Electronics Co., Ltd							
X. ° ±3°	X. X° ±0.5°								
>0-3	>3-18	>18-50	>50-120	Unit	Scale	Design Unit	Size	Part No.	 
±0.12	±0.15	±0.3	±0.5	mm	—	Metric	A4		
Draw	Review	Approve	Material	Drawing No.			Part No.		
				Item	5264-NY				

5264 Type Terminal

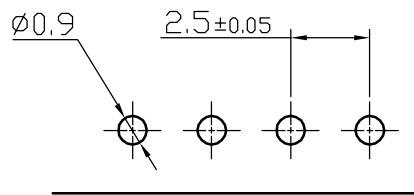
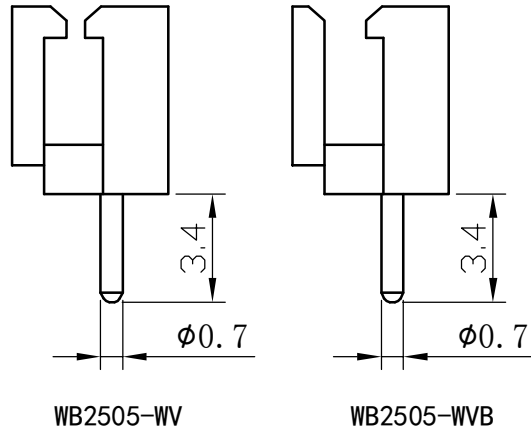
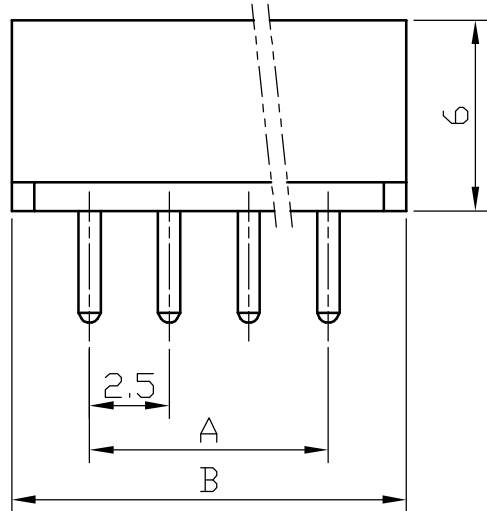
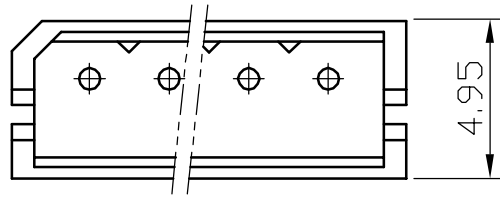


Main Specifications:

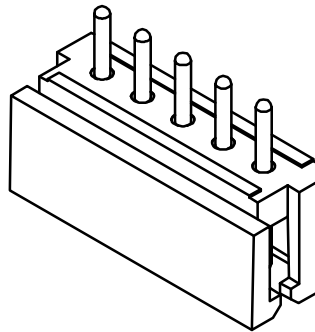
- Poles: 2 ~ 16
- Rated current: 3.0 A AC/DC
- Rated voltage: 250 V AC/DC
- Temperature range: -25 ~ +85 °C
- Contact resistance: ≤ 10 m Ω
- Insulation resistance: ≥ 1000 M Ω
- Withstand voltage: 1000 V AC/minute
- Applicable wire: AWG #28 ~ #22
- Applicable PC board thickness: 1.6 mm

1	Terminal	Phosphor Bronze	1	
No.	Item/Material No.	Material	QTY	Remark
Unmarked Tolerance		 Yueqing Hegxing Electronics Co., Ltd		
X. ° $\pm 3^\circ$ X. X ° $\pm 0.5^\circ$				
>0-3	>3-18	>18-50	>50-120	
		Unit	Scale	Design Unit
		mm	—	Metric
		Size	Part No.	
		A4		
Draw	Review	Approve	Material	Part No.
			Item	5264-T11 / T22

5264 Type Wafer



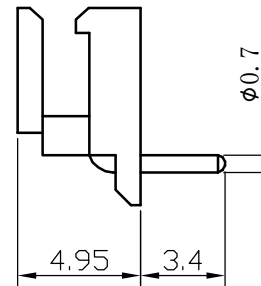
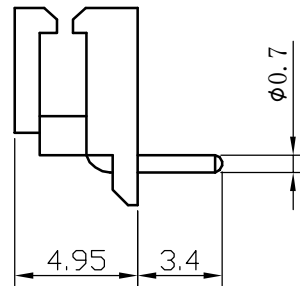
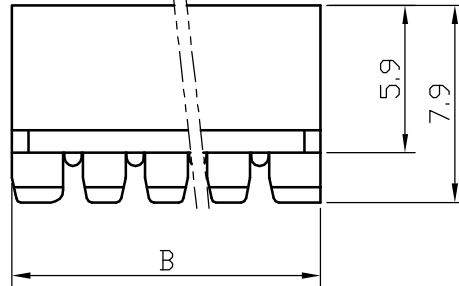
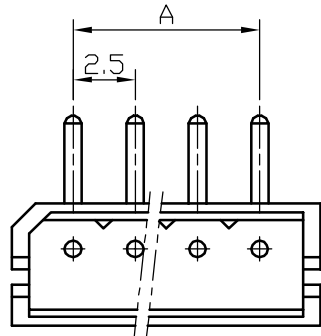
PCB Layout



Poles	Part No.		Dimensions	
			A	B
2	WB2505-PT02	5264-2A	2.5	7.5
3	WB2505-PT03	5264-3A	5	10
4	WB2505-PT04	5264-4A	7.5	12.5
5	WB2505-PT05	5264-5A	10	15
6	WB2505-PT06	5264-6A	12.5	17.5
7	WB2505-PT07	5264-7A	15	20
8	WB2505-PT08	5264-8A	17.5	22.5
9	WB2505-PT09	5264-9A	20	25
10	WB2505-PT10	5264-10A	22.5	27.5
11	WB2505-PT11	5264-11A	25	30
12	WB2505-PT12	5264-12A	27.5	32.5
13	WB2505-PT13	5264-13A	30	35
14	WB2505-PT14	5264-14A	32.5	37.5
15	WB2505-PT15	5264-15A	35	40
16	WB2505-PT16	5264-16A	37.5	42.5
2	WB2505-PTB02	5264-2A	2.5	7.5
3	WB2505-PTB03	5264-3A	5	10
-	-	-	-	-
16	WB2505-PTB16	5264-16A	37.5	42.5

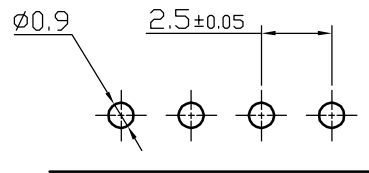
2	Pin	Tin Plated Brass	N						
1	Housing	PA9T (UL94V-0)	1						
No.	Item/Material No.	Material	QTY	Remark					
Unmarked Tolerance		Yueqing Hegxing Electronics Co., Ltd							
X. ° ±3° X. X° ±0.5°									
>0-3	>3-18	>18-50	>50-120	Unit	Scale	Design Unit	Size	Part No.	
±0.12	±0.15	±0.3	±0.5	mm	—	Metric	A4		
Draw	Review	Approve	Material	Drawing No.	Part No.				
				Item	5264-NA				

5264 Type Wafer

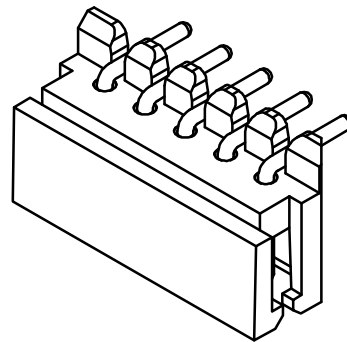


WB2505-WR

WB2505-WRB



PCB Layout



Poles	Part No.		Dimensions	
			A	B
2	WB2505-PS02	5264-2AWD	2.5	7.5
3	WB2505-PS03	5264-3AWD	5	10
4	WB2505-PS04	5264-4AWD	7.5	12.5
5	WB2505-PS05	5264-5AWD	10	15
6	WB2505-PS06	5264-6AWD	12.5	17.5
7	WB2505-PS07	5264-7AWD	15	20
8	WB2505-PS08	5264-8AWD	17.5	22.5
9	WB2505-PS09	5264-9AWD	20	25
10	WB2505-PS10	5264-10AWD	22.5	27.5
11	WB2505-PS11	5264-11AWD	25	30
12	WB2505-PS12	5264-12AWD	27.5	32.5
13	WB2505-PS13	5264-13AWD	30	35
14	WB2505-PS14	5264-14AWD	32.5	37.5
15	WB2505-PS15	5264-15AWD	35	40
16	WB2505-PS16	5264-16AWD	37.5	42.5
2	WB2505-PSB02	5264-2AWD	2.5	7.5
3	WB2505-PSB03	5264-3AWD	5	10
-	-	-	-	-
16	WB2505-PSB16	5264-16AWD	37.5	42.5

2	Pin	Tin Plated Brass	N						
1	Housing	PA9T (UL94V-0)	1						
No.	Item/Material No.	Material	QTY	Remark					
Unmarked Tolerance		Yueqing Hegxing Electronics Co., Ltd							
X. ° ±3°	X. X° ±0.5°								
>0-3	>3-18	>18-50	>50-120	Unit	Scale	Design Unit	Size	Part No.	
±0.12	±0.15	±0.3	±0.5	mm	—	Metric	A4		
Draw	Review	Approve	Material	Drawing No.	Part No.				
				Item	5264-NAWD				