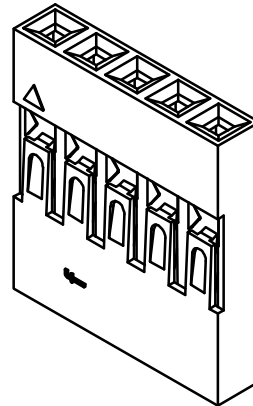
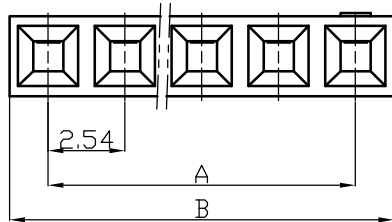
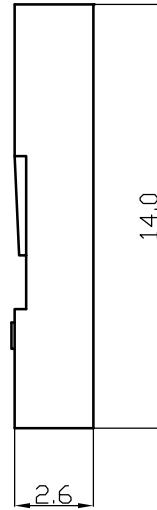
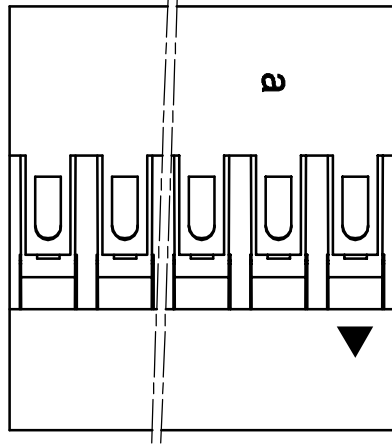





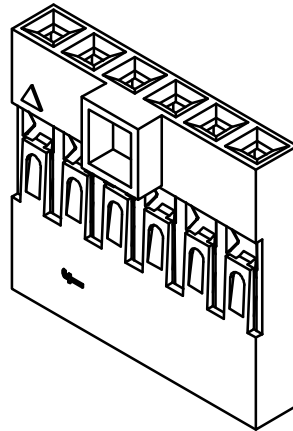
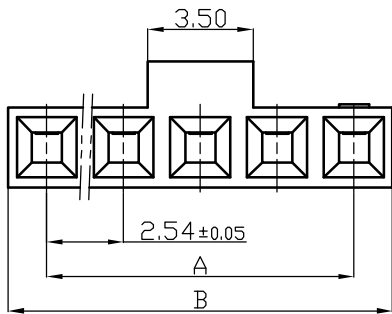
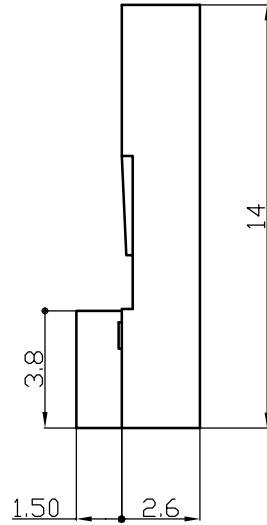
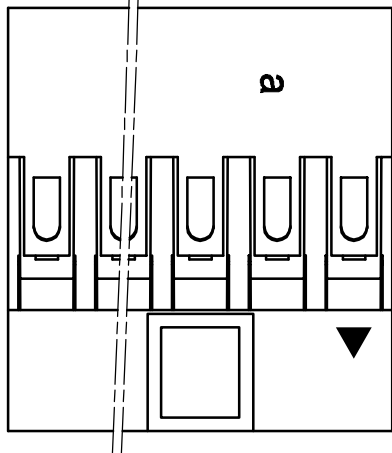
Dupont 2.54 Type Housing




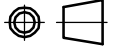
Poles	Part No.		Dimensions	
			A	B
1	WB2541-H01	Dupont 2.54-1Y		2.54
2	WB2541-H02	Dupont 2.54-2Y	2.54	5.08
3	WB2541-H03	Dupont 2.54-3Y	5.08	7.62
4	WB2541-H04	Dupont 2.54-4Y	7.62	10.16
5	WB2541-H05	Dupont 2.54-5Y	10.16	12.7
6	WB2541-H06	Dupont 2.54-6Y	12.7	15.24
7	WB2541-H07	Dupont 2.54-7Y	15.24	17.78
8	WB2541-H08	Dupont 2.54-8Y	17.78	20.32
9	WB2541-H09	Dupont 2.54-9Y	20.32	22.86
10	WB2541-H10	Dupont 2.54-10Y	22.86	25.4
11	WB2541-H11	Dupont 2.54-11Y	25.4	27.94
-	-	-	-	-
40	WB2541-H40	Dupont 2.54-40Y	99.06	101.6

1	Housing	PA66(UL94V-0/V-2)	1	White					
No.	Item/Material No.	Material	QTY	Remark					
Unmarked Tolerance		 Yueqing Hegxing Electronics Co., Ltd							
X. ° ±3° X. X° ±0.5°									
>0-3	>3-18	>18-50	>50-120	Unit	Scale	Design Unit	Size	Part No.	 
±0.12	±0.15	±0.3	±0.5	mm	—	Metric	A4		
Draw	Review	Approve	Material	Drawing No.	Part No.				
				Item	Dupont 2.54-NY				

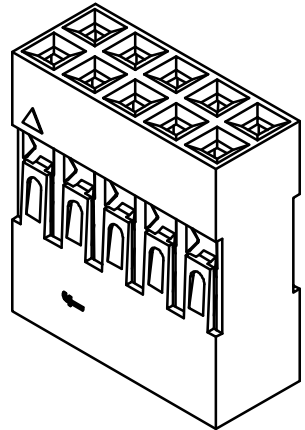
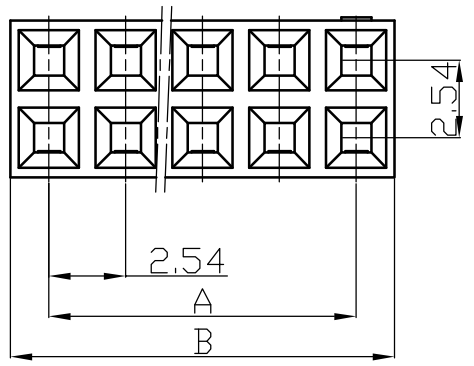
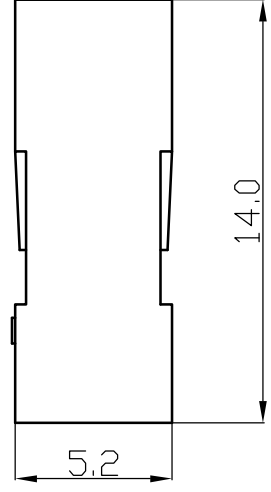
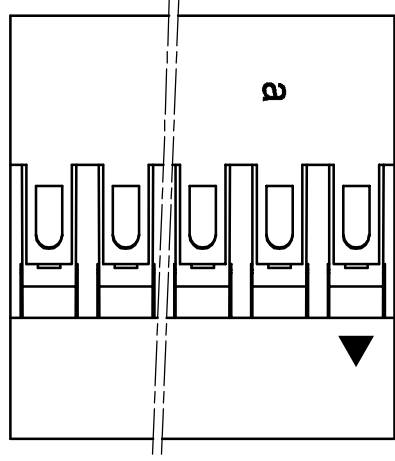
Dupont 2.54 Type Housing






Poles	Part No.		Dimensions	
			A	B
1	WB2541-HB01	Dupont 2.54-1YB		2.54
2	WB2541-HB02	Dupont 2.54-2YB	2.54	5.08
3	WB2541-HB03	Dupont 2.54-3YB	5.08	7.62
4	WB2541-HB04	Dupont 2.54-4YB	7.62	10.16
5	WB2541-HB05	Dupont 2.54-5YB	10.16	12.7
6	WB2541-HB06	Dupont 2.54-6YB	12.7	15.24
7	WB2541-HB07	Dupont 2.54-7YB	15.24	17.78
8	WB2541-HB08	Dupont 2.54-8YB	17.78	20.32
9	WB2541-HB09	Dupont 2.54-9YB	20.32	22.86
10	WB2541-HB10	Dupont 2.54-10YB	22.86	25.4
11	WB2541-HB11	Dupont 2.54-11YB	25.4	27.94
-	-	-	-	-
40	WB2541-HB40	Dupont 2.54-40YB	99.06	101.6

1	Housing	PA66(UL94V-0/V-2)	1	White					
No.	Item/Material No.	Material	QTY	Remark					
Unmarked Tolerance		 Yueqing Hegxing Electronics Co., Ltd							
X. ° ±3° X. X° ±0.5°									
>0-3	>3-18	>18-50	>50-120	Unit	Scale	Design Unit	Size	Part No.	
±0.12	±0.15	±0.3	±0.5	mm	—	Metric	A4		
Draw	Review	Approve	Material	Drawing No.	Part No.				
				Item	Dupont 2.54-NYB				

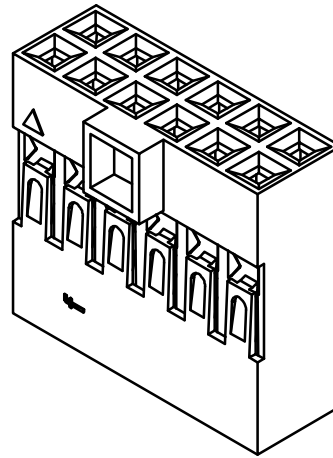
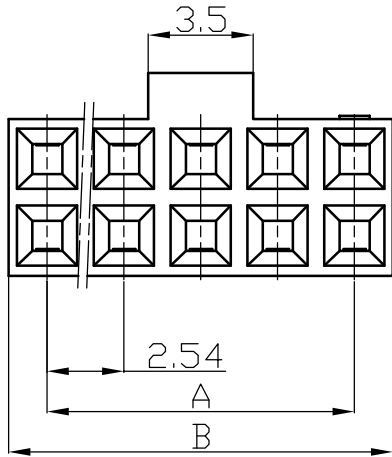
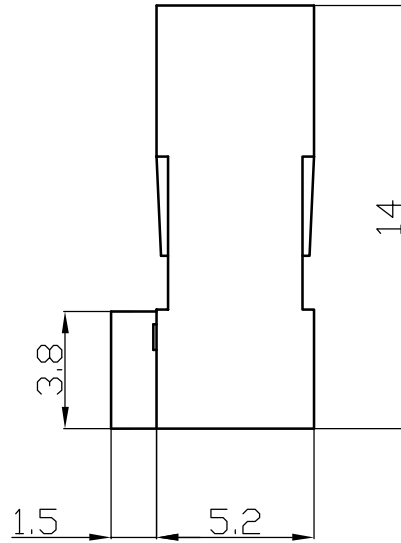
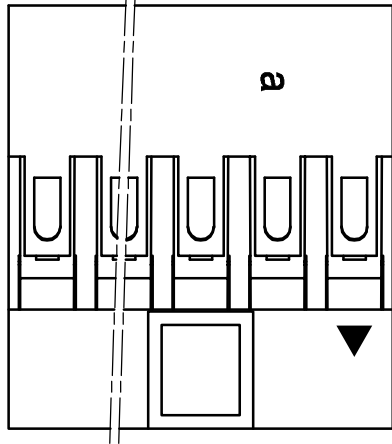
Dupont 2.54 Type Housing






Poles	Part No.		Dimensions	
			A	B
4	WB2541-H02x2	Dupont 2.54-2x2Y	2.54	5.08
6	WB2541-H03x2	Dupont 2.54-2x3Y	5.08	7.62
8	WB2541-H04x2	Dupont 2.54-2x4Y	7.62	10.16
10	WB2541-H05x2	Dupont 2.54-2x5Y	10.16	12.7
12	WB2541-H06x2	Dupont 2.54-2x6Y	12.7	15.24
14	WB2541-H07x2	Dupont 2.54-2x7Y	15.24	17.78
16	WB2541-H08x2	Dupont 2.54-2x8Y	17.78	20.32
18	WB2541-H09x2	Dupont 2.54-2x9Y	20.32	22.86
20	WB2541-H10x2	Dupont 2.54-2x10Y	22.86	25.4
22	WB2541-H11x2	Dupont 2.54-2x11Y	25.4	27.94
24	WB2541-H12x2	Dupont 2.54-2x12Y	27.94	30.48
-	-	-	-	-
80	WB2541-H40x2	Dupont 2.54-2x40Y	99.06	101.6

1	Housing	PA66(UL94V-0/V-2)	1	White					
No.	Item/Material No.	Material	QTY	Remark					
Unmarked Tolerance		 Yueqing Hegxing Electronics Co., Ltd							
X. ° ±3° X. X° ±0.5°									
>0-3	>3-18	>18-50	>50-120	Unit	Scale	Design Unit	Size	Part No.	 
±0.12	±0.15	±0.3	±0.5	mm	—	Metric	A4		
Draw	Review	Approve	Material	Drawing No.	Part No.				
				Item	Dupont 2.54-2xNY				

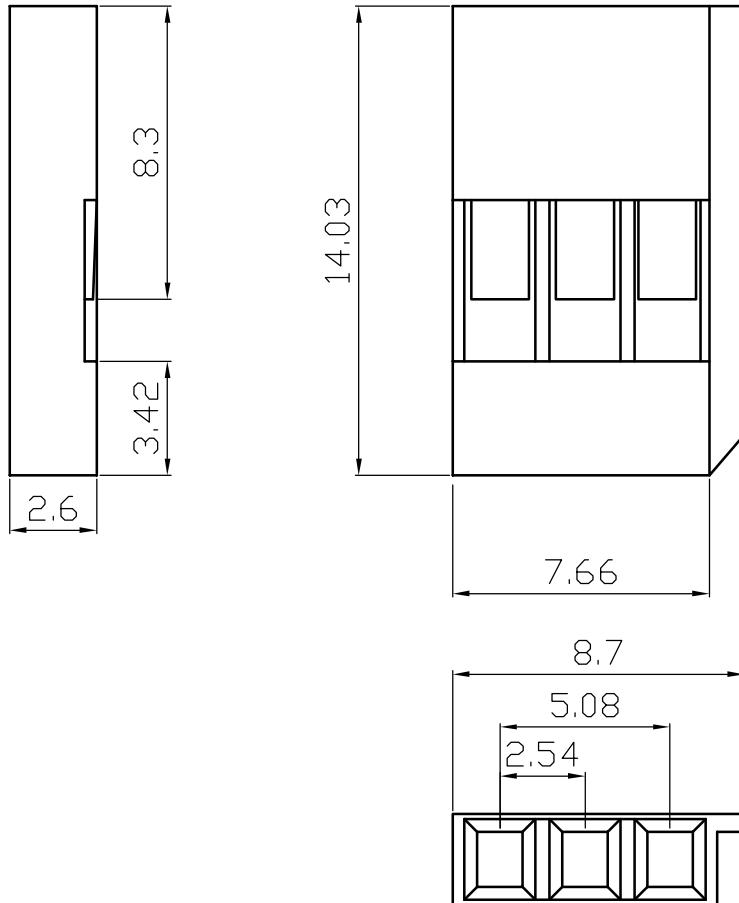
Dupont 2.54 Type Housing




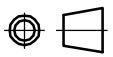
Poles	Part No.		Dimensions	
			A	B
4	WB2541-HB02x2	Dupont 2.54-2x2YB	2.54	5.08
6	WB2541-HB04x2	Dupont 2.54-2x3YB	5.08	7.62
8	WB2541-HB02x3	Dupont 2.54-2x4YB	7.62	10.16
10	WB2541-HB04x3	Dupont 2.54-2x5YB	10.16	12.7
12	WB2541-HB02x4	Dupont 2.54-2x6YB	12.7	15.24
14	WB2541-HB04x4	Dupont 2.54-2x7YB	15.24	17.78
16	WB2541-HB02x5	Dupont 2.54-2x8YB	17.78	20.32
18	WB2541-HB04x5	Dupont 2.54-2x9YB	20.32	22.86
20	WB2541-HB02x6	Dupont 2.54-2x10YB	22.86	25.4
22	WB2541-HB04x6	Dupont 2.54-2x11YB	25.4	27.94
24	WB2541-HB02x7	Dupont 2.54-2x12YB	27.94	30.48
-	-	-	-	-
80	WB2541-HB40x2	Dupont 2.54-2x40YB	99.06	101.6

1	Housing	PA66(UL94V-0/V-2)	1	White					
No.	Item/Material No.	Material	QTY	Remark					
Unmarked Tolerance		 Yueqing Hegxing Electronics Co., Ltd							
X. ° ±3° X. X° ±0.5°									
>0-3	>3-18	>18-50	>50-120	Unit	Scale	Design Unit	Size	Part No.	 
±0.12	±0.15	±0.3	±0.5	mm	—	Metric	A4		
Draw	Review	Approve	Material	Drawing No.	Part No.				
				Item	Dupont 2.54-2xNYB				

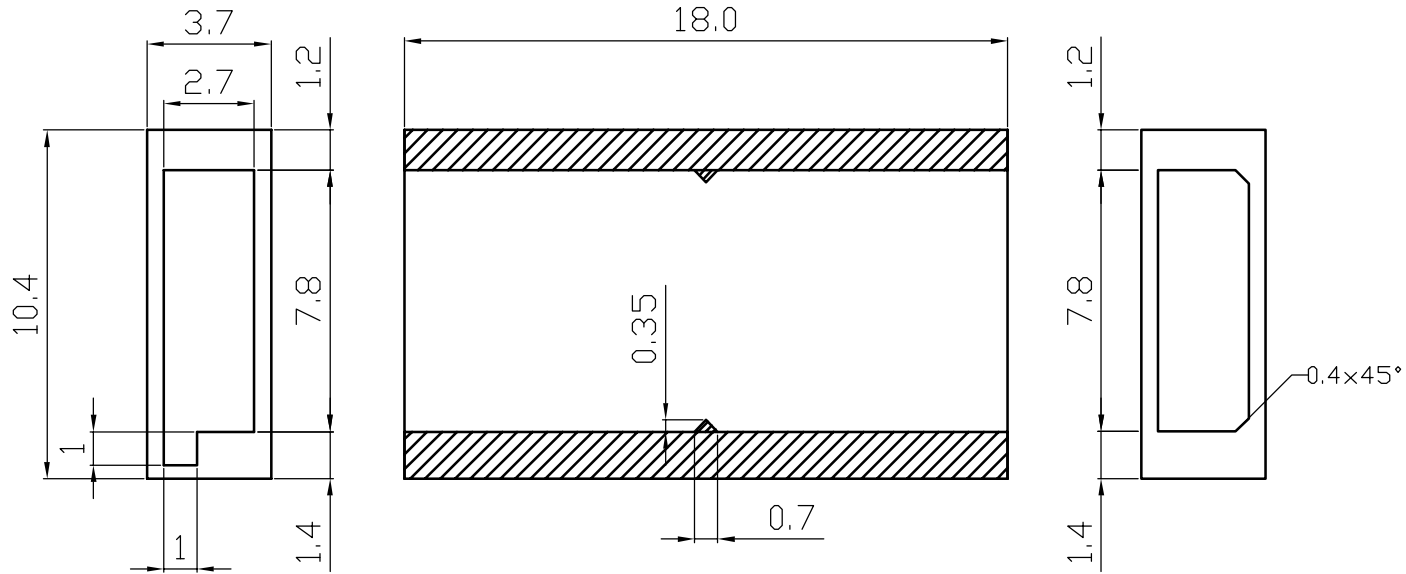
Dupont 2.54 Type Housing





Poles	Part No.	
3	WB2541-HC03	DuPont 2.54 bevel angle

1	Housing	PA66(UL94V-0/V-2)	1	White					
No.	Item/Material No.	Material	QTY	Remark					
Unmarked Tolerance		 Yueqing Hegxing Electronics Co., Ltd							
X. ° ±3° X. X° ±0.5°									
>0-3	>3-18	>18-50	>50-120	Unit	Scale	Design Unit	Size	Part No.	
±0.12	±0.15	±0.3	±0.5	mm	—	Metric	A4		
Draw	Review	Approve	Material	Drawing No.	Part No.				
				Item	Dupont 2.54 bevel angle				

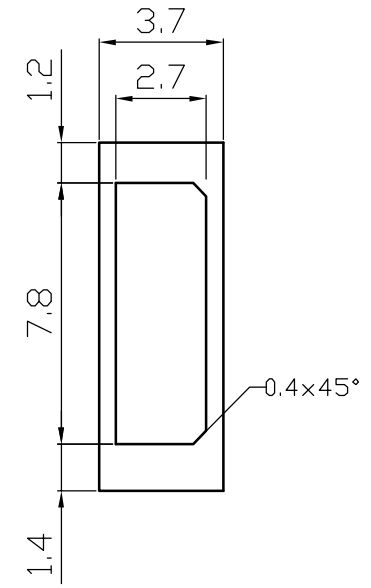
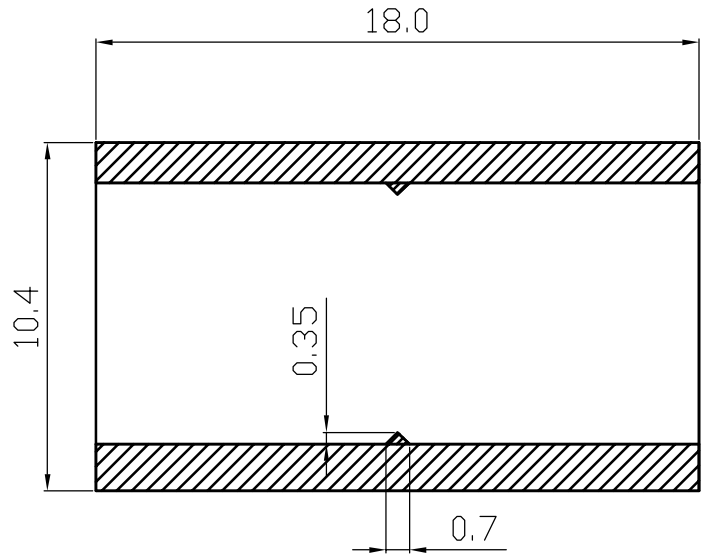
Dupont 2.54 Type Housing




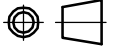
Poles	Part No.	
3	WB2541-F03	DuPont 2.54 bevel angle case

1	Housing	PA66(UL94V-0/V-2)	1	White					
No.	Item/Material No.	Material	QTY	Remark					
Unmarked Tolerance		 Yueqing Hegxing Electronics Co., Ltd							
X. ° ±3° X. X° ±0.5°									
>0-3	>3-18	>18-50	>50-120	Unit	Scale	Design Unit	Size	Part No.	 
±0.12	±0.15	±0.3	±0.5	mm	—	Metric	A4		
Draw	Review	Approve	Material	Drawing No.	Part No.				
				Item	Dupont 2.54 bevel angle case				

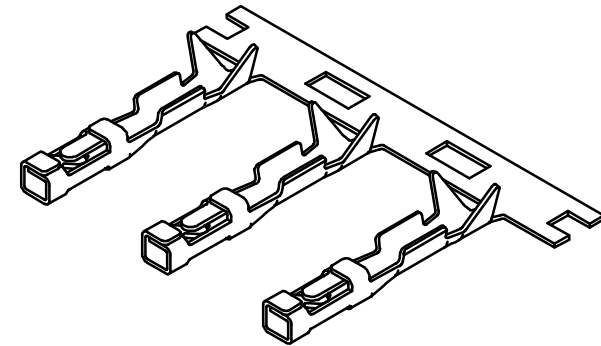
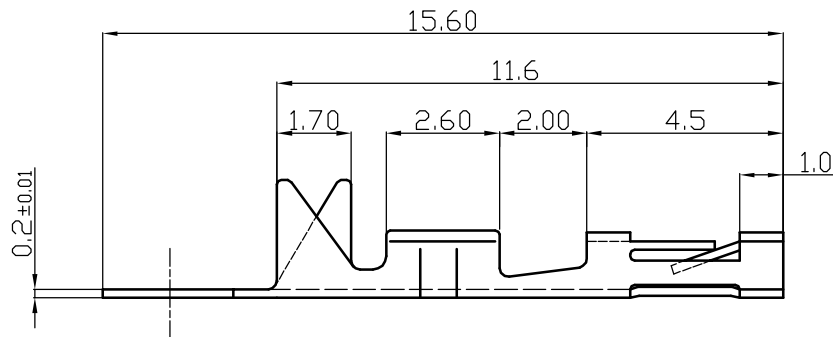
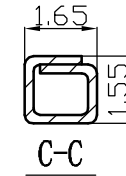
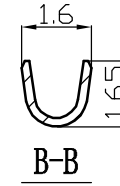
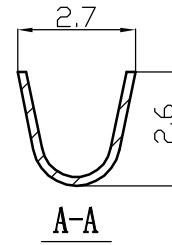
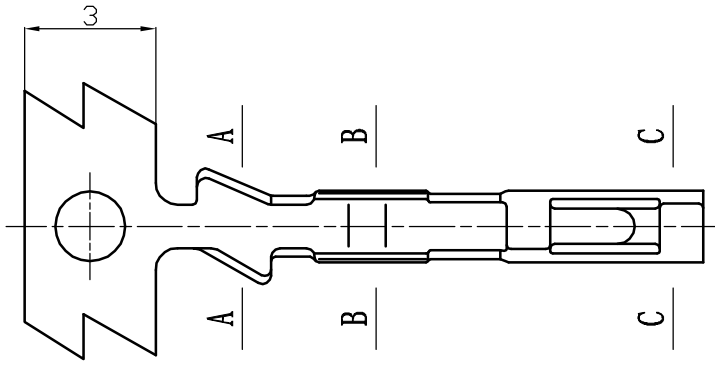
Dupont 2.54 Type Housing


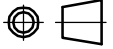


Poles	Part No.	
3	WB2541-FB03	DoPont 2.54 rgt angle case

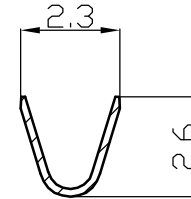
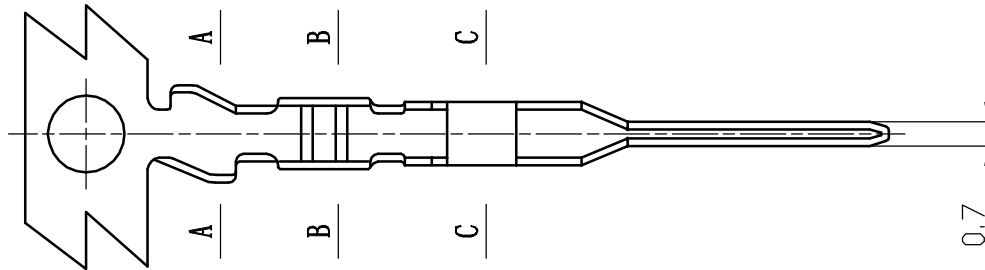
1	Housing	PA66(UL94V-0/V-2)	1	White					
No.	Item/Material No.	Material	QTY	Remark					
Unmarked Tolerance		 Yueqing Hegxing Electronics Co., Ltd							
X. ° ±3° X. X° ±0.5°									
>0-3	>3-18	>18-50	>50-120	Unit	Scale	Design Unit	Size	Part No.	
±0.12	±0.15	±0.3	±0.5	mm	—	Metric	A4		
Draw	Review	Approve	Material	Drawing No.	Part No.				
				Item	Dupont 2.54 right angle case				

DuPont 2.54 Type Terminal

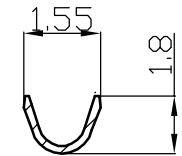


1	WB2541-TP2 / TP8	Phospher Bronze	1						
No.	Item/Material No.	Material	QTY	Remark					
Unmarked Tolerance		 Yueqing Hegxing Electronics Co., Ltd							
X. ° ±3° X. X° ±0.5°									
>0-3	>3-18	>18-50	>50-120	Unit	Scale	Design Unit	Size	Part No.	
±0.12	±0.15	±0.3	±0.5	mm	—	Metric	A4		
Draw	Review	Approve	Material	Drawing No.			Part No.		
				Item	DuPont 2.54-YT				

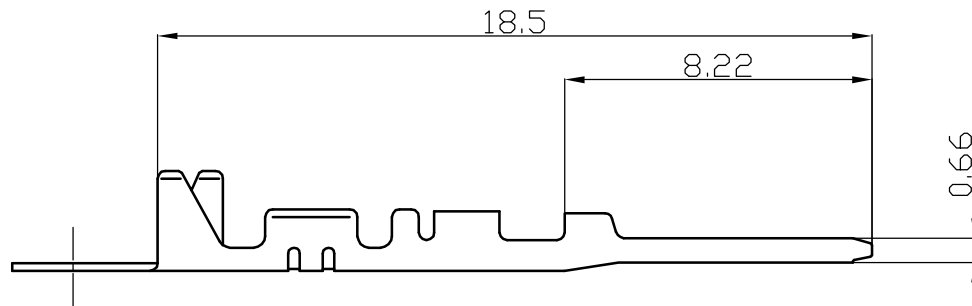
DuPont 2.54 Type Terminal




A-A

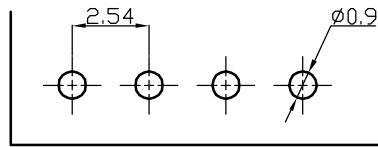
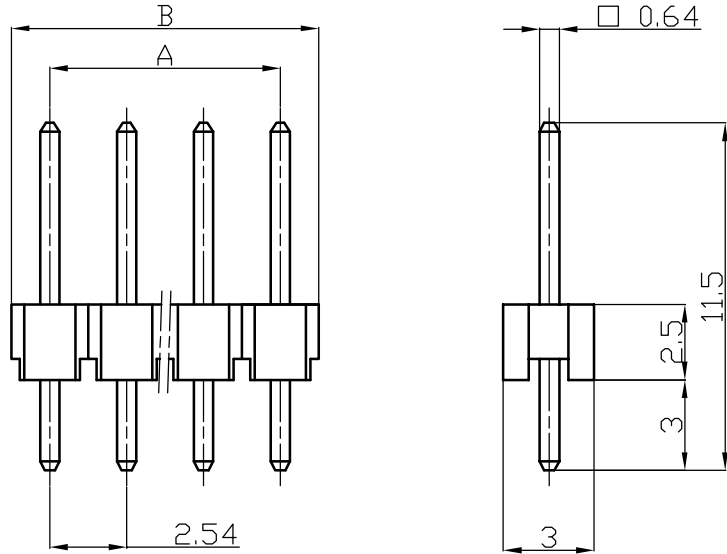


B-B






1	WB2541-TP2	Phospher Bronze	1	
No.	Item/Material No.	Material	QTY	Remark
Unmarked Tolerance		 Yueqing Hegxing Electronics Co., Ltd		
X. ° ±3° X. X° ±0.5°				
>0-3	>3-18	>18-50	>50-120	
±0.12	±0.15	±0.3	±0.5	
Unit	Scale	Design Unit	Size	Part No.
mm	—	Metric	A4	
Draw	Review	Approve	Material	Drawing No.
			Item	DuPont 2.54-AT

DuPont 2.54 Type Wafer

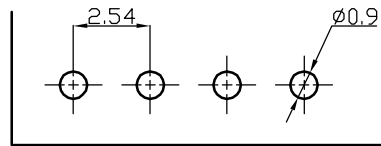
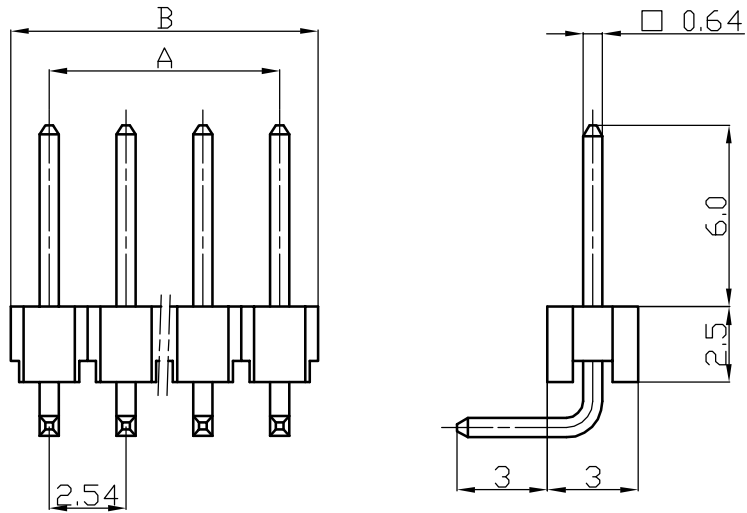


PCB Layout

Poles	Part No.		Dimensions	
			A	B
1	WB2541-PT01	Dupont 2.54-1A		2.54
2	WB2541-PT02	Dupont 2.54-2A	2.54	5.08
3	WB2541-PT03	Dupont 2.54-3A	5.08	7.62
4	WB2541-PT04	Dupont 2.54-4A	7.62	10.16
5	WB2541-PT05	Dupont 2.54-5A	10.16	12.7
6	WB2541-PT06	Dupont 2.54-6A	12.7	15.24
7	WB2541-PT07	Dupont 2.54-7A	15.24	17.78
8	WB2541-PT08	Dupont 2.54-8A	17.78	20.32
9	WB2541-PT09	Dupont 2.54-9A	20.32	22.86
10	WB2541-PT10	Dupont 2.54-10A	22.86	25.4
11	WB2541-PT11	Dupont 2.54-11A	25.4	27.94
-	-	-	-	-
40	WB2541-PT40	Dupont 2.54-40A	99.06	101.6

2	Pin	Tin Plated Brass	N						
1	Housing	PA9T (UL94V-0)	1						
No.	Item/Material No.	Material	QTY	Remark					
Unmarked Tolerance		 Yueqing Hegxing Electronics Co., Ltd							
X. ° ±3°	X. X° ±0.5°								
>0-3	>3-18	>18-50	>50-120	Unit	Scale	Design Unit	Size	Part No.	 
±0.12	±0.15	±0.3	±0.5	mm	—	Metric	A4		
Draw	Review	Approve	Material	Drawing No.	Part No.				
				Item	DuPont 2.54-NA-75				

DuPont 2.54 Type Wafer

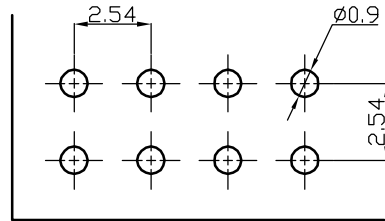
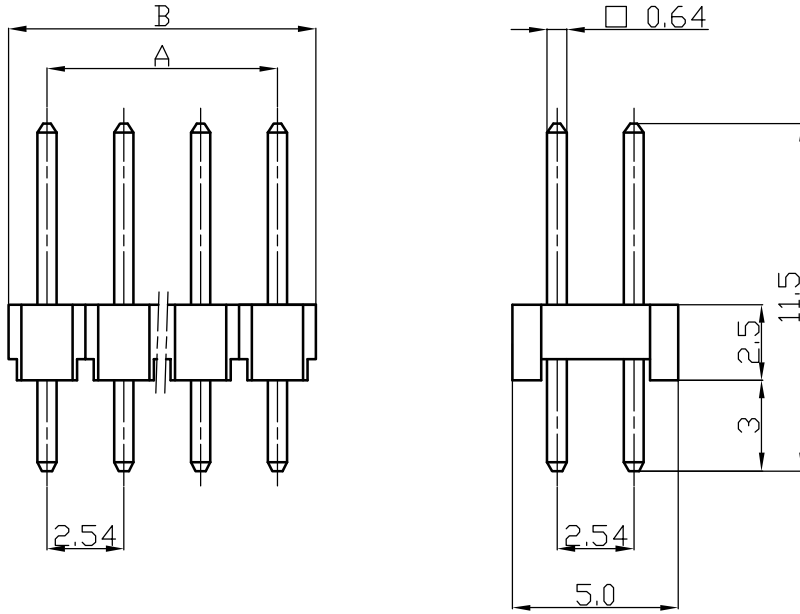


PCB Layout

Poles	Part No.		Dimensions	
			A	B
1	WB2541-PS01	Dupont 2.54-1AW		2.54
2	WB2541-PS02	Dupont 2.54-2AW	2.54	5.08
3	WB2541-PS03	Dupont 2.54-3AW	5.08	7.62
4	WB2541-PS04	Dupont 2.54-4AW	7.62	10.16
5	WB2541-PS05	Dupont 2.54-5AW	10.16	12.7
6	WB2541-PS06	Dupont 2.54-6AW	12.7	15.24
7	WB2541-PS07	Dupont 2.54-7AW	15.24	17.78
8	WB2541-PS08	Dupont 2.54-8AW	17.78	20.32
9	WB2541-PS09	Dupont 2.54-9AW	20.32	22.86
10	WB2541-PS10	Dupont 2.54-10AW	22.86	25.4
11	WB2541-PS11	Dupont 2.54-11AW	25.4	27.94
-	-	-	-	-
40	WB2541-PS40	Dupont 2.54-40AW	99.06	101.6

2	Pin	Tin Plated Brass	N						
1	Housing	PA9T (UL94V-0)	1						
No.	Item/Material No.	Material	QTY	Remark					
Unmarked Tolerance		Yueqing Hegxing Electronics Co., Ltd							
X. ° ±3° X. X° ±0.5°									
>0-3	>3-18	>18-50	>50-120	Unit	Scale	Design Unit	Size	Part No.	
±0.12	±0.15	±0.3	±0.5	mm	—	Metric	A4		
Draw	Review	Approve	Material	Drawing No.	Part No.				
				Item	DuPont 2.54-NAW-75				

DuPont 2.54 Type Wafer

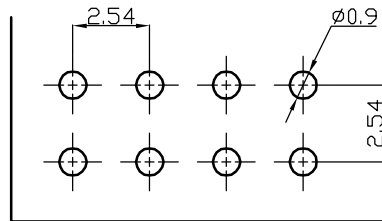
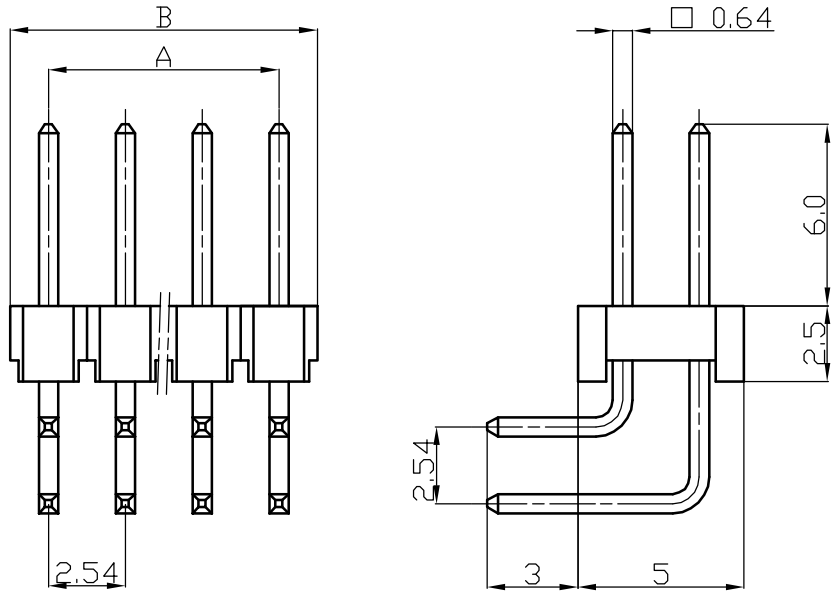


PCB Layout

Poles	Part No.		Dimensions	
			A	B
4	WB2541-PT2x2	Dupont 2.54-2x2A	2.54	5.08
6	WB2541-PT3x2	Dupont 2.54-2x3A	5.08	7.62
8	WB2541-PT4x2	Dupont 2.54-2x4A	7.62	10.16
10	WB2541-PT5x2	Dupont 2.54-2x5A	10.16	12.7
12	WB2541-PT6x2	Dupont 2.54-2x6A	12.7	15.24
14	WB2541-PT7x2	Dupont 2.54-2x7A	15.24	17.78
16	WB2541-PT8x2	Dupont 2.54-2x8A	17.78	20.32
18	WB2541-PT9x2	Dupont 2.54-2x9A	20.32	22.86
20	WB2541-PT10x2	Dupont 2.54-2x10A	22.86	25.4
22	WB2541-PT11x2	Dupont 2.54-2x11A	25.4	27.94
24	WB2541-PT12x2	Dupont 2.54-2x12A	27.94	30.48
-	-	-	-	-
80	WB2541-PT40x2	Dupont 2.54-40A	99.06	101.6

2	Pin	Tin Plated Brass	N						
1	Housing	PA9T (UL94V-0)	1						
No.	Item/Material No.	Material	QTY	Remark					
Unmarked Tolerance		Yueqing Hegxing Electronics Co., Ltd							
X. ° ±3° X. X° ±0.5°									
>0-3	>3-18	>18-50	>50-120	Unit	Scale	Design Unit	Size	Part No.	
±0.12	±0.15	±0.3	±0.5	mm	—	Metric	A4		
Draw	Review	Approve	Material	Drawing No.	Part No.				
				Item	DuPont 2.54-2xNA-75				

DuPont 2.54 Type Wafer



PCB Layout

Poles	Part No.		Dimensions	
			A	B
4	WB2541-PS2x2	Dupont 2.54-2x2AW	2.54	5.08
6	WB2541-PS3x2	Dupont 2.54-2x3AW	5.08	7.62
8	WB2541-PS4x2	Dupont 2.54-2x4AW	7.62	10.16
10	WB2541-PS5x2	Dupont 2.54-2x5AW	10.16	12.7
12	WB2541-PS6x2	Dupont 2.54-2x6AW	12.7	15.24
14	WB2541-PS7x2	Dupont 2.54-2x7AW	15.24	17.78
16	WB2541-PS8x2	Dupont 2.54-2x8AW	17.78	20.32
18	WB2541-PS9x2	Dupont 2.54-2x9AW	20.32	22.86
20	WB2541-PS10x2	Dupont 2.54-2x10AW	22.86	25.4
22	WB2541-PS11x2	Dupont 2.54-2x11AW	25.4	27.94
24	WB2541-PS12x2	Dupont 2.54-2x12AW	27.94	30.48
-	-	-	-	-
80	WB2541-PS40x2	Dupont 2.54-40AW	99.06	101.6

2	Pin	Tin Plated Brass	N	
1	Housing	PA9T (UL94V-0)	1	
No.	Item/Material No.	Material	QTY	Remark
Unmarked Tolerance		Yueqing Hegxing Electronics Co., Ltd		
X. ° ±3°	X. X° ±0.5°			
>0-3	>3-18	>18-50	>50-120	
Unit	Scale	Design Unit	Size	Part No.
±0.12 ±0.15 ±0.3 ±0.5	mm	—	Metric	A4
Draw	Review	Approve	Material	Drawing No.
				Part No.
			Item	DuPont 2.54-2xNAW-75