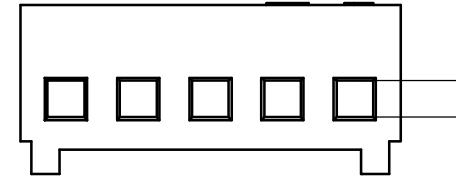
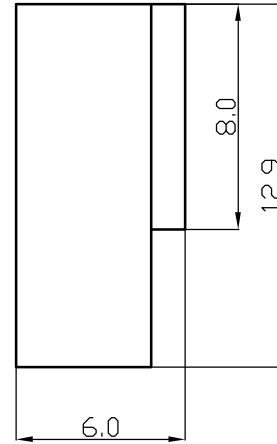
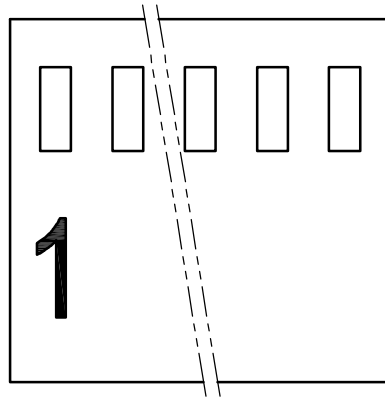
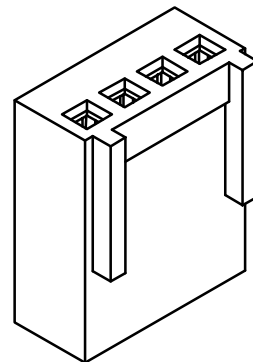
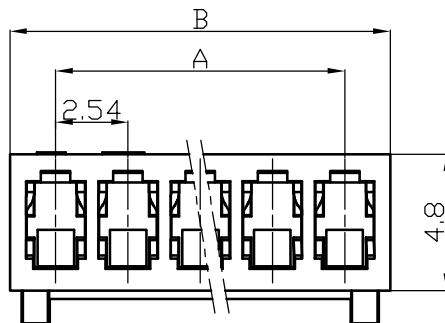


2510 Type Housing



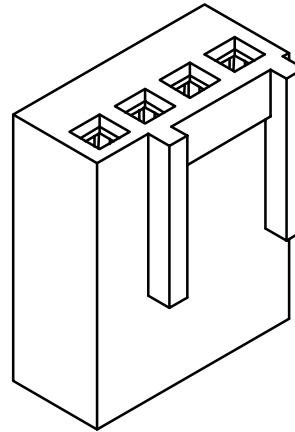
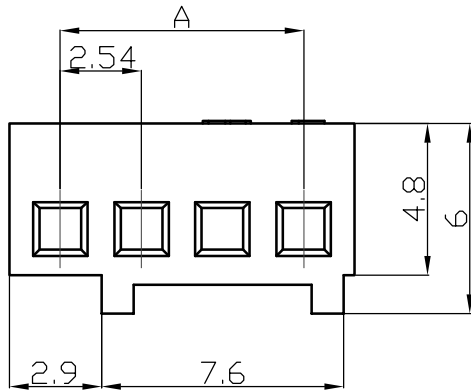
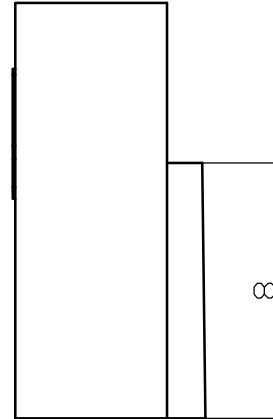
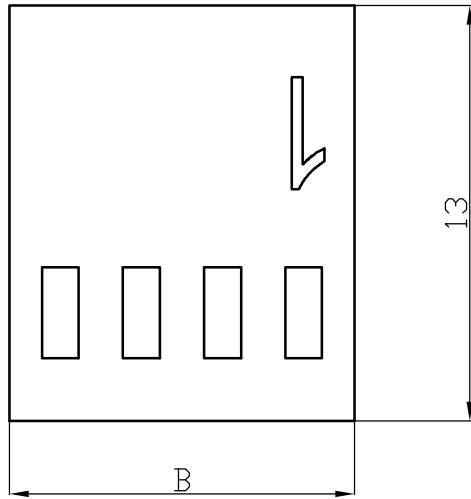
1.3 A2543-H
1.0 A2543-HD






Poles	Part No.		Dimensions	
			A	B
2	WB2543-H02	2510-2Y	2.54	5.76
3	WB2543-H03	2510-3Y	5.08	8.3
4	WB2543-H04	2510-4Y	7.62	10.84
5	WB2543-H05	2510-5Y	10.16	13.38
6	WB2543-H06	2510-6Y	12.7	15.92
7	WB2543-H07	2510-7Y	15.24	18.46
8	WB2543-H08	2510-8Y	17.78	21
9	WB2543-H09	2510-9Y	20.32	23.54
10	WB2543-H10	2510-10Y	22.86	26.08
11	WB2543-H11	2510-11Y	25.4	28.62
12	WB2543-H12	2510-12Y	27.94	31.16
13	WB2543-H13	2510-13Y	30.48	33.7
14	WB2543-H14	2510-14Y	33.02	36.24
15	WB2543-H15	2510-15Y	35.56	38.78
16	WB2543-H16	2510-16Y	38.1	41.32

1	Housing	PA66(UL94V-0/V-2)	1	White					
No.	Item/Material No.	Material	QTY	Remark					
Unmarked Tolerance		Yueqing Hegxing Electronics Co., Ltd							
X. ° ±3° X. X° ±0.5°									
>0-3	>3-18	>18-50	>50-120	Unit	Scale	Design Unit	Size	Part No.	
±0.12	±0.15	±0.3	±0.5	mm	—	Metric	A4		
Draw	Review	Approve	Material	Drawing No.	Part No.				
				Item	2510-NY				

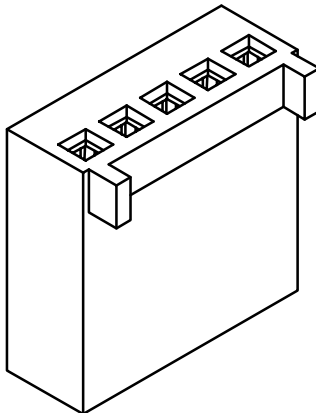
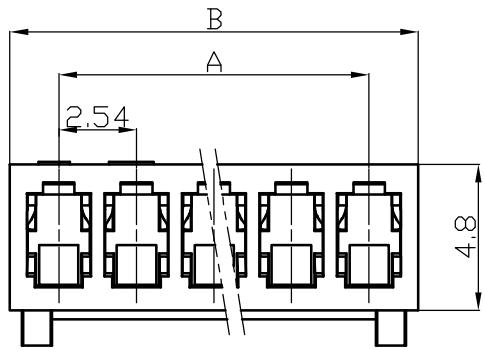
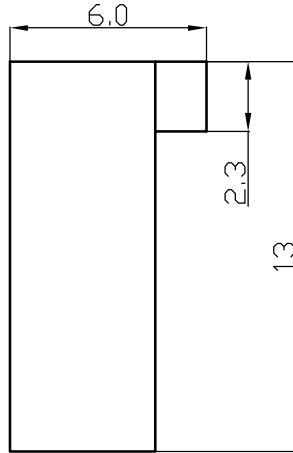
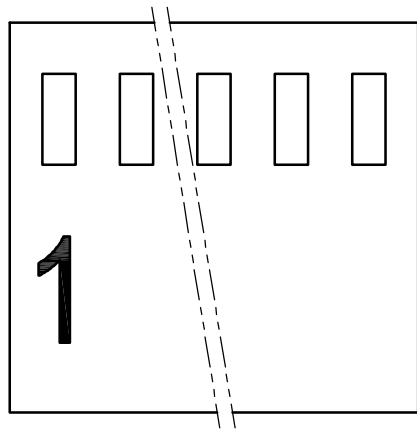
2510 Type Housing





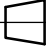
Poles	Part No.	Dimensions	
		A	B
4	WB2543-HB04	7.62	10.84

1	Housing	PA66(UL94V-0/V-2)	1	White					
No.	Item/Material No.	Material	QTY	Remark					
Unmarked Tolerance		 Yueqing Hegxing Electronics Co., Ltd							
X. ° ±3° X. X° ±0.5°									
>0-3	>3-18	>18-50	>50-120	Unit	Scale	Design Unit	Size	Part No.	 
±0.12	±0.15	±0.3	±0.5	mm	—	Metric	A4		
Draw	Review	Approve	Material	Drawing No.	Part No.				
			Item	2510-4YB					

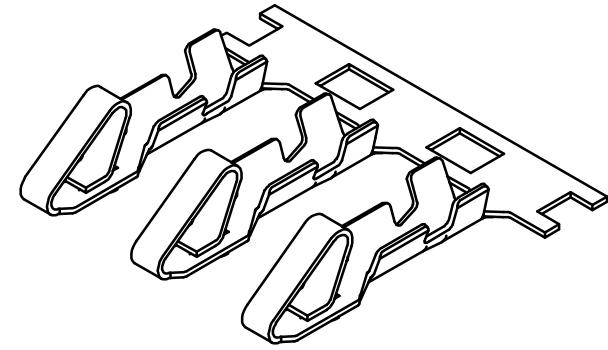
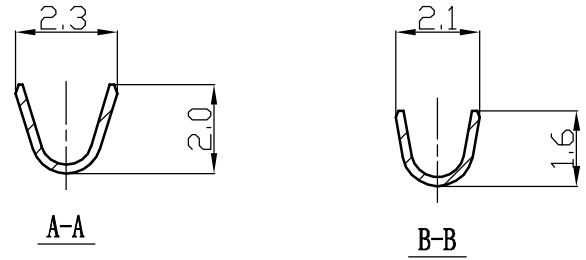
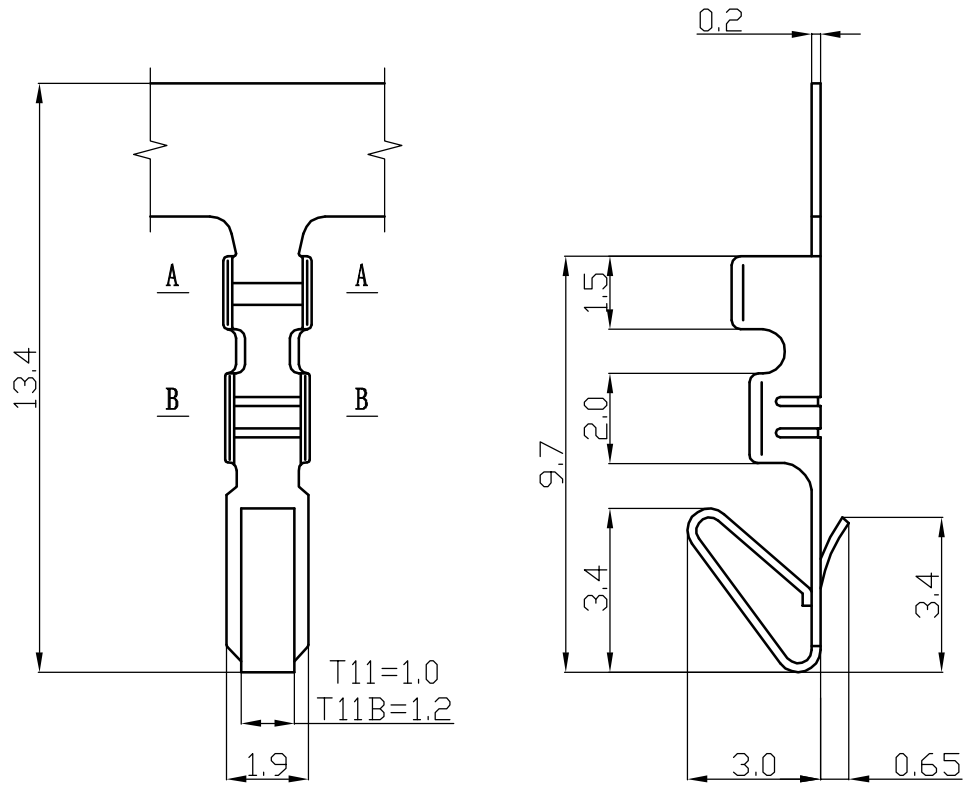
2510 Type Housing


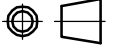


Poles	Part No.		Dimensions	
			A	B
2	WB2543-HC02	2510-2YC	2.54	5.76
3	WB2543-HC03	2510-3YC	5.08	8.3
4	WB2543-HC04	2510-4YC	7.62	10.84
5	WB2543-HC05	2510-5YC	10.16	13.38
6	WB2543-HC06	2510-6YC	12.7	15.92
7	WB2543-HC07	2510-7YC	15.24	18.46
8	WB2543-HC08	2510-8YC	17.78	21
9	WB2543-HC09	2510-9YC	20.32	23.54
10	WB2543-HC10	2510-10YC	22.86	26.08
11	WB2543-HC11	2510-11YC	25.4	28.62
-	-	-	-	-
16	WB2543-HC16	2510-16YC	38.1	41.32

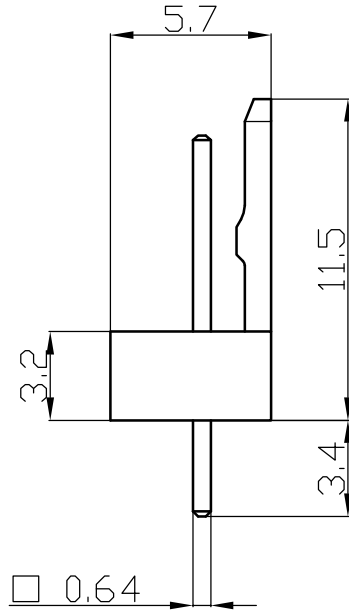
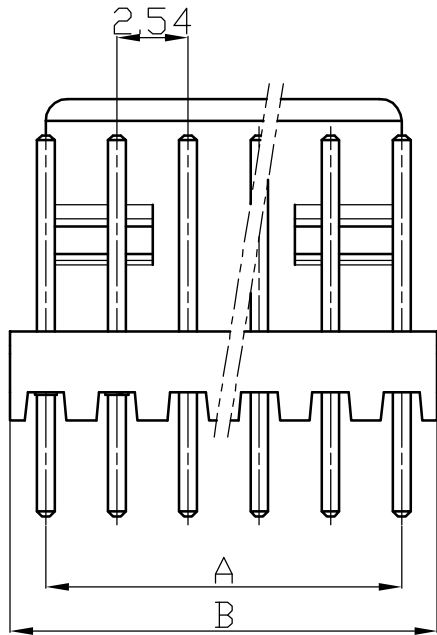
1	Housing	PA66(UL94V-0/V-2)	1	White					
No.	Item/Material No.	Material	QTY	Remark					
Unmarked Tolerance		 Yueqing Hegxing Electronics Co., Ltd							
X. °	±3°				X. X°	±0.5°			
>0-3	>3-18	>18-50	>50-120	Unit	Scale	Design Unit	Size	Part No.	 
±0.12	±0.15	±0.3	±0.5	mm	—	Metric	A4		
Draw	Review	Approve	Material	Drawing No.			Part No.		
				Item	2510-NYC				

2510 Type Terminal

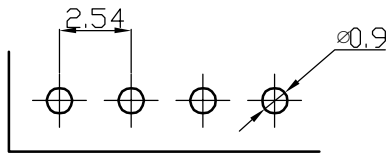


1	WB2543-TP2	Phospher Bronze	1						
No.	Item/Material No.	Material	QTY	Remark					
Unmarked Tolerance		 Yueqing Hegxing Electronics Co., Ltd							
X. ° ±3° X. X° ±0.5°									
>0-3	>3-18	>18-50	>50-120	Unit	Scale	Design Unit	Size	Part No.	
±0.12	±0.15	±0.3	±0.5	mm	—	Metric	A4		
Draw	Review	Approve	Material	Drawing No.			Part No.		
				Item	2510-T				

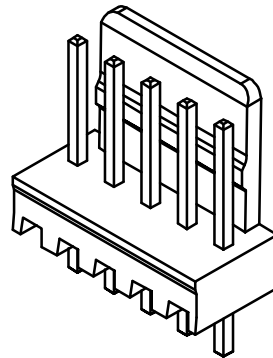
2510 Type Wafer



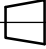


Poles	Part No.		Dimensions	
			A	B
2	WB2543-PT02	2510-2A	2.54	5.76
3	WB2543-PT03	2510-3A	5.08	8.3
4	WB2543-PT04	2510-4A	7.62	10.84
5	WB2543-PT05	2510-5A	10.16	13.38
6	WB2543-PT06	2510-6A	12.7	15.92
7	WB2543-PT07	2510-7A	15.24	18.46
8	WB2543-PT08	2510-8A	17.78	21
9	WB2543-PT09	2510-9A	20.32	23.54
10	WB2543-PT10	2510-10A	22.86	26.08
11	WB2543-PT11	2510-11A	25.4	28.62
-	-	-	-	-
16	WB2543-PT16	2510-16A	38.1	41.32

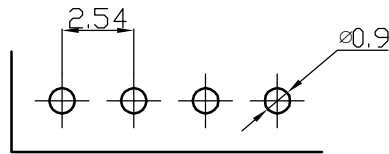
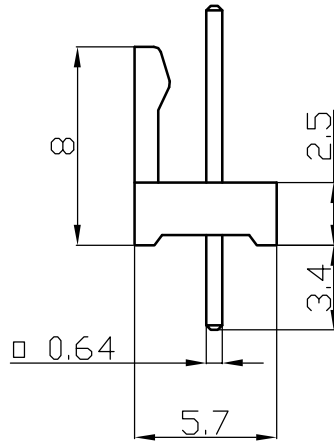
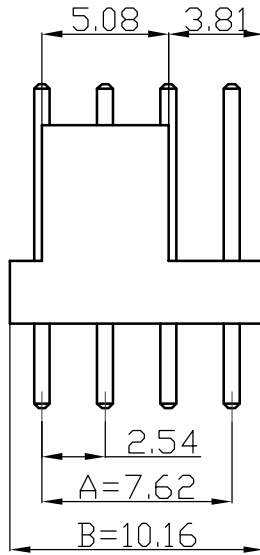


PCB Layout

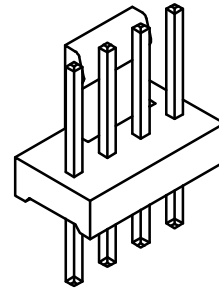


2	Pin	Tin Plated Brass	N						
1	Housing	PA9T (UL94V-0)	1						
No.	Item/Material No.	Material	QTY	Remark					
Unmarked Tolerance		 Yueqing Hegxing Electronics Co., Ltd							
X. ° ±3°	X. X° ±0.5°								
>0-3	>3-18	>18-50	>50-120	Unit	Scale	Design Unit	Size	Part No.	 
±0.12	±0.15	±0.3	±0.5	mm	—	Metric	A4		
Draw	Review	Approve	Material	Drawing No.			Part No.		
							Item	2510-NA	




2510 Type Wafer



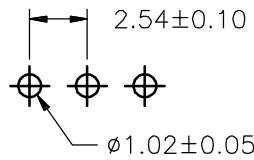
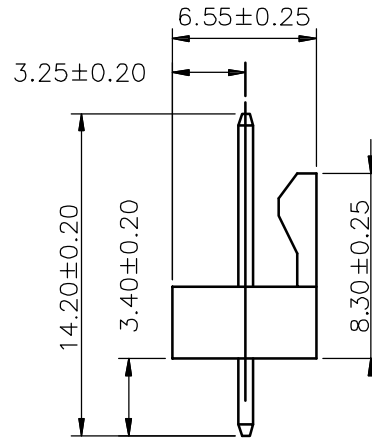
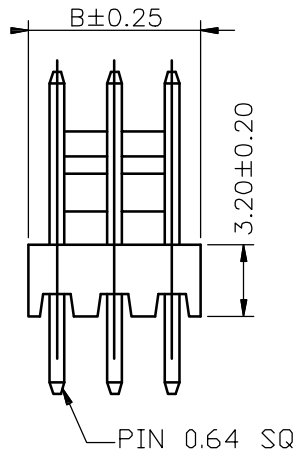
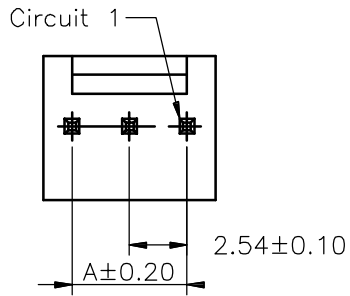
PCB Layout



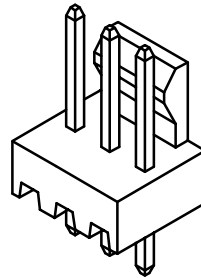
Poles	Part No.	Dimensions	
		A	B
4	WB2543-PTB04	7.62	10.16

2	Pin	Tin Plated Brass	N						
1	Housing	PA9T (UL94V-0)	1						
No.	Item/Material No.	Material	QTY	Remark					
Unmarked Tolerance		 Yueqing Hegxing Electronics Co., Ltd							
X. ° ±3° X. X° ±0.5°									
>0-3	>3-18	>18-50	>50-120	Unit	Scale	Design Unit	Size	Part No.	 
±0.12	±0.15	±0.3	±0.5	mm	—	Metric	A4		
Draw	Review	Approve	Material	Drawing No.	Part No.				
				Item	2510-NAB				

2510 Type Wafer



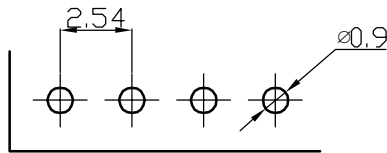
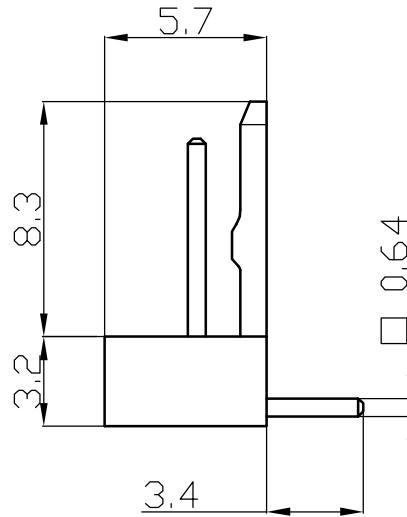
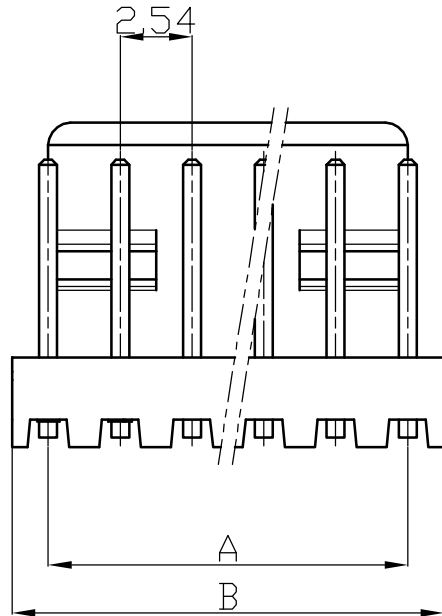
PCB Layout



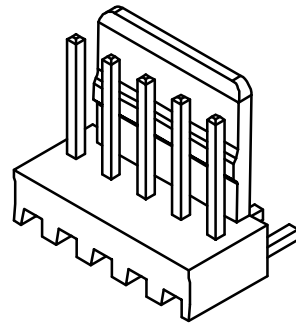
Poles	Part No.		Dimensions	
			A	B
2	WB2543-PTC02	2510-2AC	2.54	5.76
3	WB2543-PTC03	2510-3AC	5.08	8.3
4	WB2543-PTC04	2510-4AC	7.62	10.84
5	WB2543-PTC05	2510-5AC	10.16	13.38
6	WB2543-PTC06	2510-6AC	12.7	15.92
7	WB2543-PTC07	2510-7AC	15.24	18.46
8	WB2543-PTC08	2510-8AC	17.78	21
9	WB2543-PTC09	2510-9AC	20.32	23.54
10	WB2543-PTC10	2510-10AC	22.86	26.08
11	WB2543-PTC11	2510-11AC	25.4	28.62
-	-	-	-	-
16	WB2543-PTC16	2510-16AC	38.1	41.32

2	Pin	Tin Plated Brass	N						
1	Housing	PA9T (UL94V-0)	1						
No.	Item/Material No.	Material	QTY	Remark					
Unmarked Tolerance		Yueqing Hegxing Electronics Co., Ltd							
X. ° ±3° X. X° ±0.5°									
>0-3	>3-18	>18-50	>50-120	Unit	Scale	Design Unit	Size	Part No.	
±0.12	±0.15	±0.3	±0.5	mm	—	Metric	A4		
Draw	Review	Approve	Material	Drawing No.			Part No.		
				Item	2510-NAC				

2510 Type Wafer



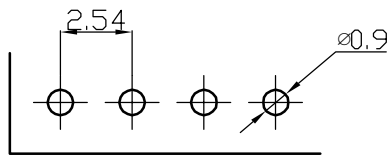
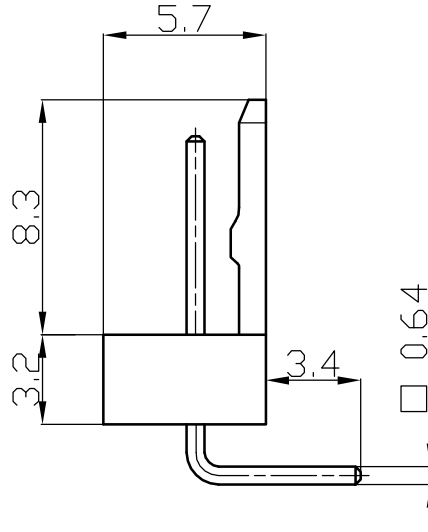
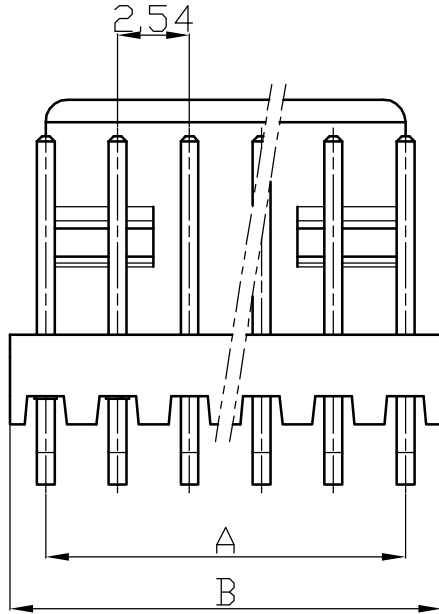
PCB Layout



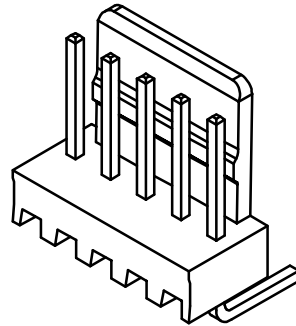
Poles	Part No.		Dimensions	
			A	B
2	WB2543-PS02	2510-2AW	2.54	5.08
3	WB2543-PS03	2510-3AW	5.08	7.62
4	WB2543-PS04	2510-4AW	7.62	10.16
5	WB2543-PS05	2510-5AW	10.16	12.7
6	WB2543-PS06	2510-6AW	12.7	15.24
7	WB2543-PS07	2510-7AW	15.24	17.78
8	WB2543-PS08	2510-8AW	17.78	20.32
9	WB2543-PS09	2510-9AW	20.32	22.86
10	WB2543-PS10	2510-10AW	22.86	25.4
11	WB2543-PS11	2510-11AW	25.4	27.94
-	-	-	-	-
16	WB2543-PS16	2510-16AW	38.1	40.64

2	Pin	Tin Plated Brass	N						
1	Housing	PA9T (UL94V-0)	1						
No.	Item/Material No.	Material	QTY	Remark					
Unmarked Tolerance		Yueqing Hegxing Electronics Co., Ltd							
X. ° ±3° X. X° ±0.5°									
>0-3	>3-18	>18-50	>50-120	Unit	Scale	Design Unit	Size	Part No.	
±0.12	±0.15	±0.3	±0.5	mm	—	Metric	A4		
Draw	Review	Approve	Material	Drawing No.	Part No.				
				Item	2510-NAW				



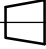
2510 Type Wafer



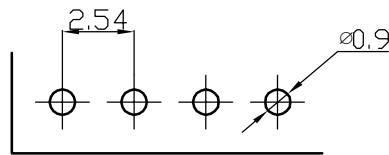
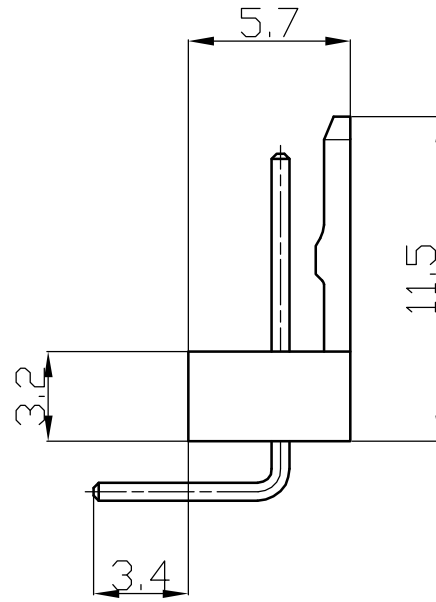
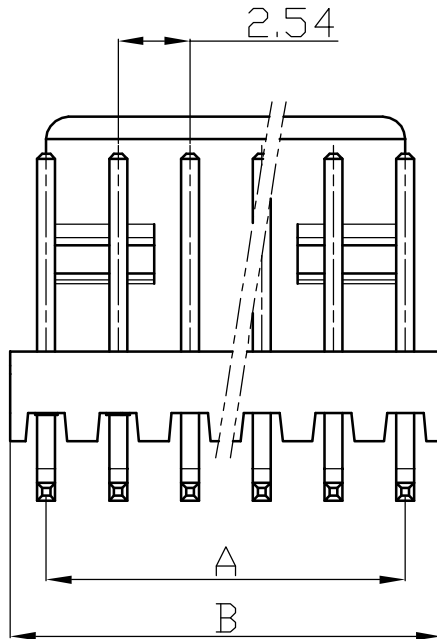
PCB Layout



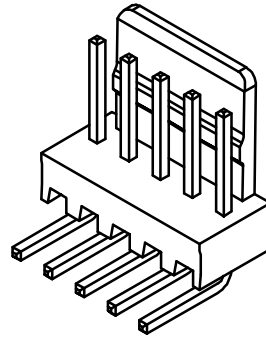
Poles	Part No.		Dimensions	
			A	B
2	WB2543-PSB02	2510-2AWG	2.54	5.08
3	WB2543-PSB03	2510-3AWG	5.08	7.62
4	WB2543-PSB04	2510-4AWG	7.62	10.16
5	WB2543-PSB05	2510-5AWG	10.16	12.7
6	WB2543-PSB06	2510-6AWG	12.7	15.24
7	WB2543-PSB07	2510-7AWG	15.24	17.78
8	WB2543-PSB08	2510-8AWG	17.78	20.32
9	WB2543-PSB09	2510-9AWG	20.32	22.86
10	WB2543-PSB10	2510-10AWG	22.86	25.4
11	WB2543-PSB11	2510-11AWG	25.4	27.94
-	-	-	-	-
16	WB2543-PSB16	2510-16AWG	38.1	40.64

2	Pin	Tin Plated Brass	N						
1	Housing	PA9T (UL94V-0)	1						
No.	Item/Material No.	Material	QTY	Remark					
Unmarked Tolerance		 Yueqing Hegxing Electronics Co., Ltd							
X. ° ±3° X. X° ±0.5°									
>0-3	>3-18	>18-50	>50-120	Unit	Scale	Design Unit	Size	Part No.	 
±0.12	±0.15	±0.3	±0.5	mm	—	Metric	A4		
Draw	Review	Approve	Material	Drawing No.	Part No.				
				Item	2510-NAWG				

2510 Type Wafer



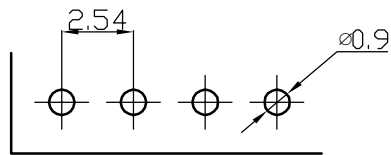
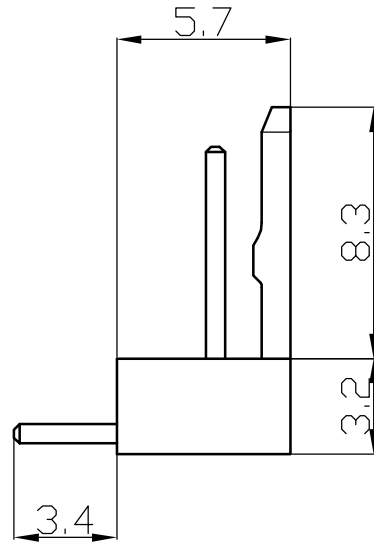
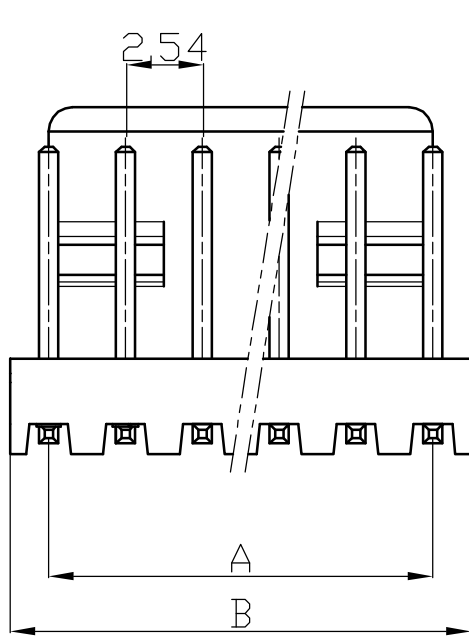
PCB Layout



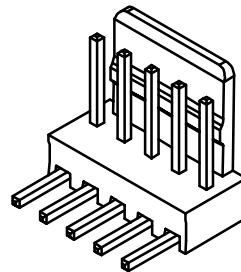
Poles	Part No.		Dimensions	
			A	B
2	WB2543-PSC02	2510-2AWGJ	2.54	5.08
3	WB2543-PSC03	2510-3AWGJ	5.08	7.62
4	WB2543-PSC04	2510-4AWGJ	7.62	10.16
5	WB2543-PSC05	2510-5AWGJ	10.16	12.7
6	WB2543-PSC06	2510-6AWGJ	12.7	15.24
7	WB2543-PSC07	2510-7AWGJ	15.24	17.78
8	WB2543-PSC08	2510-8AWGJ	17.78	20.32
9	WB2543-PSC09	2510-9AWGJ	20.32	22.86
10	WB2543-PSC10	2510-10AWGJ	22.86	25.4
11	WB2543-PSC11	2510-11AWGJ	25.4	27.94
-	-	-	-	-
16	WB2543-PSC16	2510-16AWGJ	38.1	40.64

2	Pin	Tin Plated Brass	N						
1	Housing	PA9T (UL94V-0)	1						
No.	Item/Material No.	Material	QTY	Remark					
Unmarked Tolerance		Yueqing Hegxing Electronics Co., Ltd							
X. ° ±3°	X. X° ±0.5°								
>0-3	>3-18	>18-50	>50-120	Unit	Scale	Design Unit	Size	Part No.	
±0.12	±0.15	±0.3	±0.5	mm	—	Metric	A4		
Draw	Review	Approve	Material	Drawing No.	Part No.				
				Item	2510-NAWGJ				




2510 Type Wafer



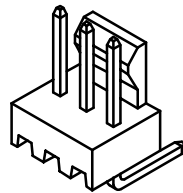
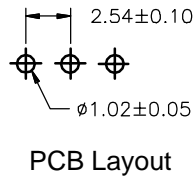
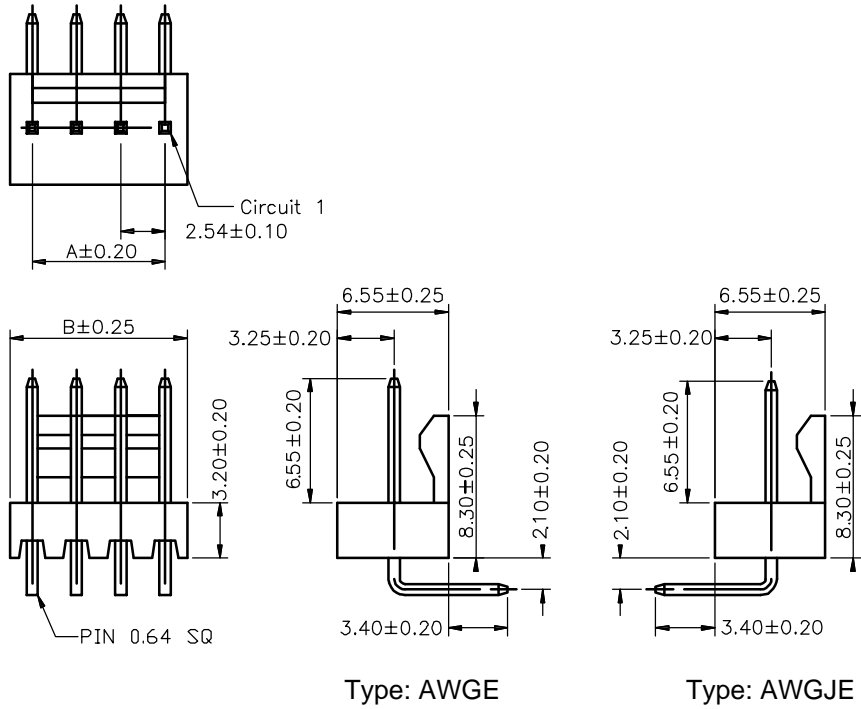
PCB Layout



Poles	Part No.		Dimensions	
			A	B
2	WB2543-PSD02	2510-2AWJ	2.54	5.08
3	WB2543-PSD03	2510-3AWJ	5.08	7.62
4	WB2543-PSD04	2510-4AWJ	7.62	10.16
5	WB2543-PSD05	2510-5AWJ	10.16	12.7
6	WB2543-PSD06	2510-6AWJ	12.7	15.24
7	WB2543-PSD07	2510-7AWJ	15.24	17.78
8	WB2543-PSD08	2510-8AWJ	17.78	20.32
9	WB2543-PSD09	2510-9AWJ	20.32	22.86
10	WB2543-PSD10	2510-10AWJ	22.86	25.4
11	WB2543-PSD11	2510-11AWJ	25.4	27.94
-	-	-	-	-
16	WB2543-PSD16	2510-16AWJ	38.1	40.64

2	Pin	Tin Plated Brass	N						
1	Housing	PA9T (UL94V-0)	1						
No.	Item/Material No.	Material	QTY	Remark					
Unmarked Tolerance		 Yueqing Hegxing Electronics Co., Ltd							
X. ° ±3° X. X° ±0.5°									
>0-3	>3-18	>18-50	>50-120	Unit	Scale	Design Unit	Size	Part No.	 
±0.12	±0.15	±0.3	±0.5	mm	—	Metric	A4		
Draw	Review	Approve	Material	Drawing No.	Part No.				
				Item	2510-NAWJ				

2510 Type Wafer



Poles	Part No.		Dimensions	
			A	B
2	WB2543-PSE02	2510-2AWGE	2.54	5.08
3	WB2543-PSE03	2510-3AWGE	5.08	7.62
4	WB2543-PSE04	2510-4AWGE	7.62	10.16
5	WB2543-PSE05	2510-5AWGE	10.16	12.7
6	WB2543-PSE06	2510-6AWGE	12.7	15.24
7	WB2543-PSE07	2510-7AWGE	15.24	17.78
8	WB2543-PSE08	2510-8AWGE	17.78	20.32
9	WB2543-PSE09	2510-9AWGE	20.32	22.86
10	WB2543-PSE10	2510-10AWGE	22.86	25.4
11	WB2543-PSE11	2510-11AWGE	25.4	27.94
-	-	-	-	-
16	WB2543-PSE16	2510-16AWGE	38.1	40.64

2	Pin	Tin Plated Brass	N						
1	Housing	PA9T (UL94V-0)	1						
No.	Item/Material No.	Material	QTY	Remark					
Unmarked Tolerance		Yueqing Hegxing Electronics Co., Ltd							
X. ° ±3°	X. X° ±0.5°								
>0-3	>3-18	>18-50	>50-120	Unit	Scale	Design Unit	Size	Part No.	
±0.12	±0.15	±0.3	±0.5	mm	—	Metric	A4		
Draw	Review	Approve	Material	Drawing No.			Part No.		
							Item	2510-NAW	