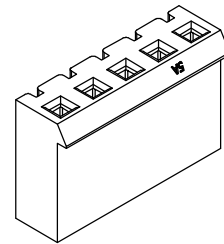
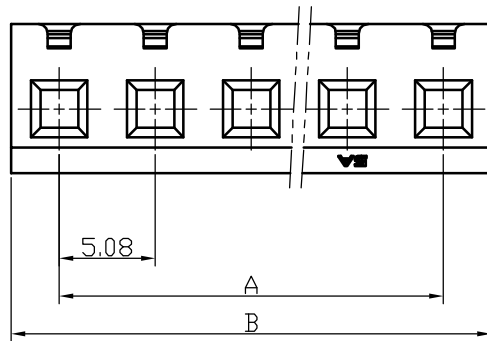
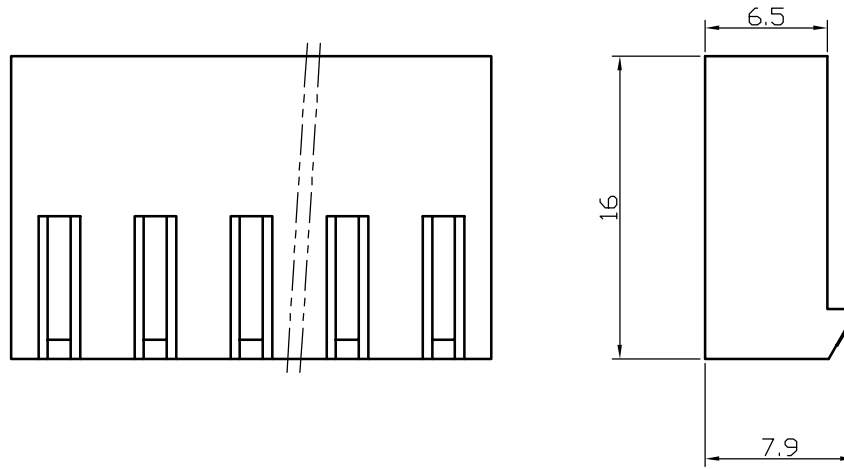





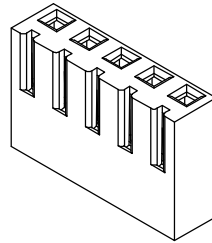
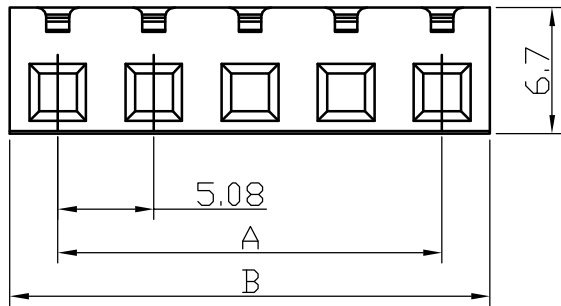
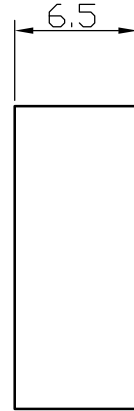
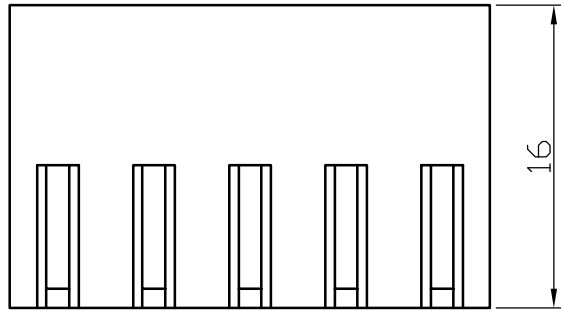
5058 Type Housing






Poles	Part No.		Dimensions	
			A	B
2	WB5081-H02	5058-2Y	5.08	10.16
3	WB5081-H03	5058-3Y	10.16	15.24
4	WB5081-H04	5058-4Y	15.24	20.32
5	WB5081-H05	5058-5Y	20.32	25.4
6	WB5081-H06	5058-6Y	25.4	30.48
7	WB5081-H07	5058-7Y	30.48	35.56
8	WB5081-H08	5058-8Y	35.56	40.64
9	WB5081-H09	5058-9Y	40.64	45.72
10	WB5081-H10	5058-10Y	45.72	50.8
11	WB5081-H11	5058-11Y	50.8	55.88
12	WB5081-H12	5058-12Y	55.88	60.96
13	WB5081-H13	5058-13Y	60.96	66.04
14	WB5081-H14	5058-14Y	66.04	71.12

1	Housing	PA66(UL94V-0/V-2)	1	White					
No.	Item/Material No.	Material	QTY	Remark					
Unmarked Tolerance		 Yueqing Hegxing Electronics Co., Ltd							
X. ° ±3° X. X° ±0.5°									
>0-3	>3-18	>18-50	>50-120	Unit	Scale	Design Unit	Size	Part No.	 
±0.12	±0.15	±0.3	±0.5	mm	—	Metric	A4		
Draw	Review	Approve	Material	Drawing No.			Part No.		
				Item	5058-NY				

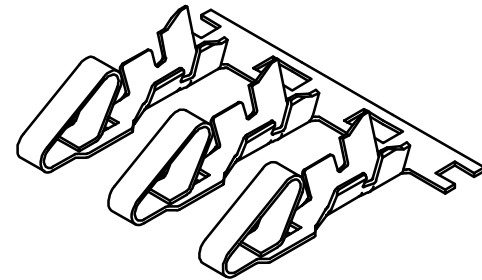
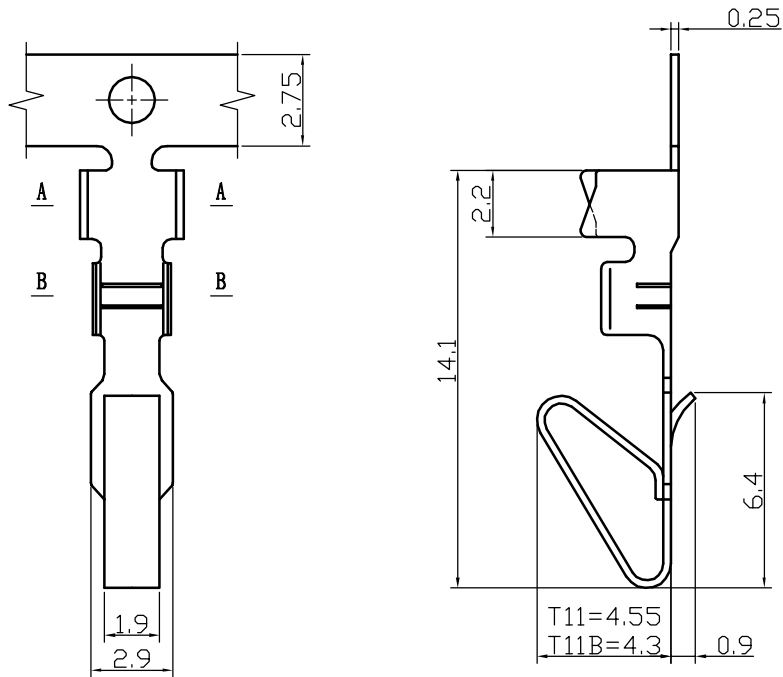
5058 Type Housing



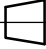


Poles	Part No.		Dimensions	
			A	B
2	WB5081-HB02	5058-2YB	5.08	10.16
3	WB5081-HB03	5058-3YB	10.16	15.24
4	WB5081-HB04	5058-4YB	15.24	20.32
5	WB5081-HB05	5058-5YB	20.32	25.4
6	WB5081-HB06	5058-6YB	25.4	30.48
7	WB5081-HB07	5058-7YB	30.48	35.56
8	WB5081-HB08	5058-8YB	35.56	40.64
9	WB5081-HB09	5058-9YB	40.64	45.72
10	WB5081-HB10	5058-10YB	45.72	50.8
11	WB5081-HB11	5058-11YB	50.8	55.88
12	WB5081-HB12	5058-12YB	55.88	60.96
13	WB5081-HB13	5058-13YB	60.96	66.04
14	WB5081-HB14	5058-14YB	66.04	71.12

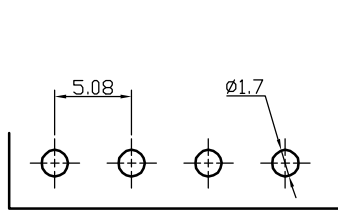
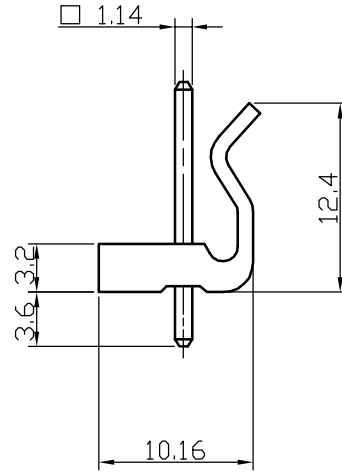
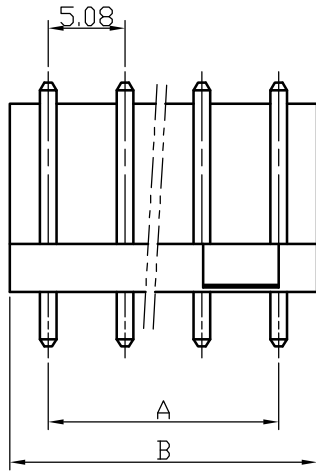
1	Housing	PA66(UL94V-0/V-2)	1	White					
No.	Item/Material No.	Material	QTY	Remark					
Unmarked Tolerance		 Yueqing Hegxing Electronics Co., Ltd							
X. ° ±3° X. X° ±0.5°									
>0-3	>3-18	>18-50	>50-120	Unit	Scale	Design Unit	Size	Part No.	 
±0.12	±0.15	±0.3	±0.5	mm	—	Metric	A4		
Draw	Review	Approve	Material	Drawing No.			Part No.		
				Item	5058-NYB				

5058 Type Terminal

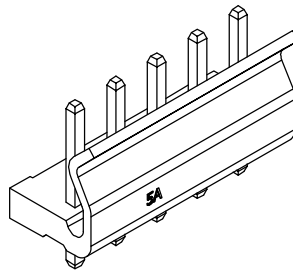


1	Terminal	Phospher Bronze	1						
No.	Item/Material No.	Material	QTY	Remark					
Unmarked Tolerance		 Yueqing Hegxing Electronics Co., Ltd							
X. ° ±3° X. X° ±0.5°									
>0-3	>3-18	>18-50	>50-120	Unit	Scale	Design Unit	Size	Part No.	 
±0.12	±0.15	±0.3	±0.5	mm	—	Metric	A4		
Draw	Review	Approve	Material	Drawing No.			Part No.		
				Item	2139-T				

5058 Type Wafer



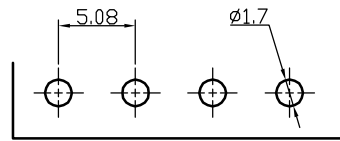
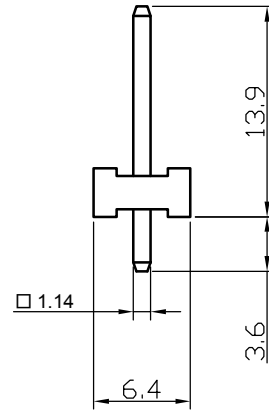
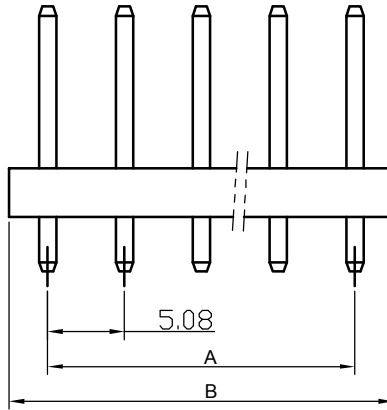
PCB Layout



Poles	Part No.		Dimensions	
			A	B
2	WB5081-PT02	5058-2A	5.08	10.16
3	WB5081-PT03	5058-3A	10.16	15.24
4	WB5081-PT04	5058-4A	15.24	20.32
5	WB5081-PT05	5058-5A	20.32	25.4
6	WB5081-PT06	5058-6A	25.4	30.48
7	WB5081-PT07	5058-7A	30.48	35.56
8	WB5081-PT08	5058-8A	35.56	40.64
9	WB5081-PT09	5058-9A	40.64	45.72
10	WB5081-PT10	5058-10A	45.72	50.8
11	WB5081-PT11	5058-11A	50.8	55.88
12	WB5081-PT12	5058-12A	55.88	60.96
13	WB5081-PT13	5058-13A	60.96	66.04
14	WB5081-PT14	5058-14A	66.04	71.12


2	Pin	Tin Plated Brass	N						
1	Housing	PA9T (UL94V-0)	1						
No.	Item/Material No.	Material	QTY	Remark					
Unmarked Tolerance		Yueqing Hegxing Electronics Co., Ltd							
X. ° ±3°	X. X° ±0.5°								
>0-3	>3-18	>18-50	>50-120	Unit	Scale	Design Unit	Size	Part No.	
±0.12	±0.15	±0.3	±0.5	mm	—	Metric	A4		
Draw	Review	Approve	Material	Drawing No.	Part No.				
				Item	5058-NA				

5058 Type Wafer

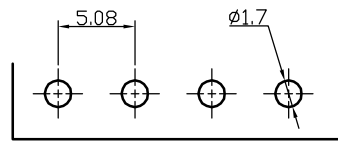
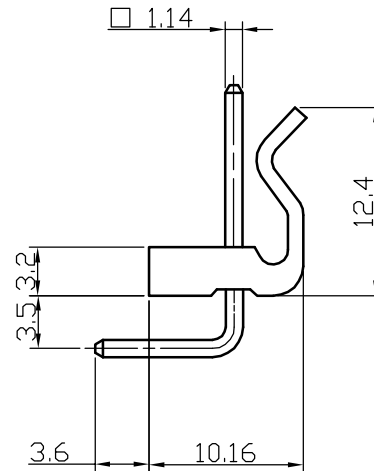
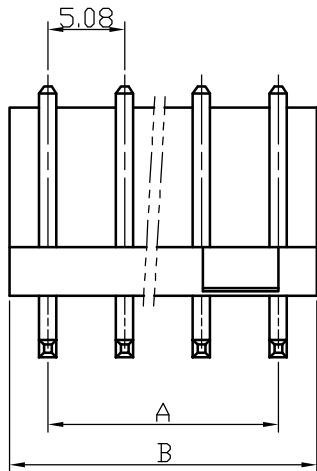


PCB Layout

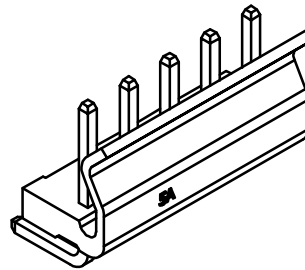
Poles	Part No.		Dimensions	
			A	B
2	WB5081-PT02	5058-2A	5.08	10.16
3	WB5081-PT03	5058-3A	10.16	15.24
4	WB5081-PT04	5058-4A	15.24	20.32
5	WB5081-PT05	5058-5A	20.32	25.4
6	WB5081-PT06	5058-6A	25.4	30.48
7	WB5081-PT07	5058-7A	30.48	35.56
8	WB5081-PT08	5058-8A	35.56	40.64
9	WB5081-PT09	5058-9A	40.64	45.72
10	WB5081-PT10	5058-10A	45.72	50.8
11	WB5081-PT11	5058-11A	50.8	55.88
12	WB5081-PT12	5058-12A	55.88	60.96
13	WB5081-PT13	5058-13A	60.96	66.04
14	WB5081-PT14	5058-14A	66.04	71.12

2	Pin	Tin Plated Brass	N	
1	Housing	PA9T (UL94V-0)	1	
No.	Item/Material No.	Material	QTY	Remark
Unmarked Tolerance		 Yueqing Hegxing Electronics Co., Ltd		
X. °	±3°			
>0-3	>3-18	>18-50	>50-120	Unit
±0.12	±0.15	±0.3	±0.5	mm
				Scale
				Design Unit
				Size
				Part No.
				Part No.
Draw	Review	Approve	Material	Item
				5058-NA without back

5058 Type Wafer



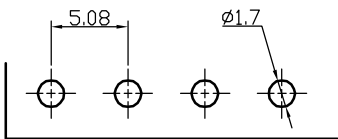
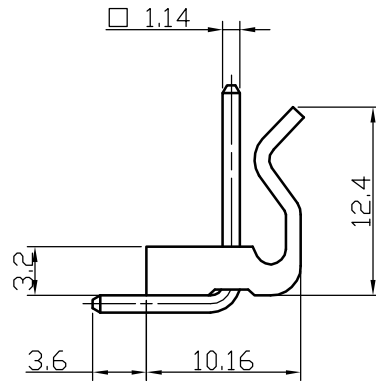
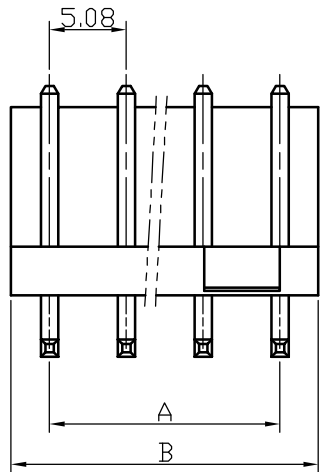
PCB Layout



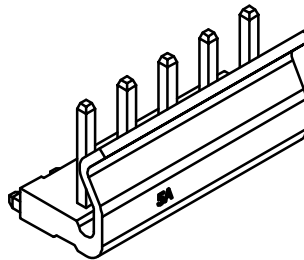
Poles	Part No.		Dimensions	
			A	B
2	WB5081-PS02	5058-2AWG	5.08	10.16
3	WB5081-PS03	5058-3AWG	10.16	15.24
4	WB5081-PS04	5058-4AWG	15.24	20.32
5	WB5081-PS05	5058-5AWG	20.32	25.4
6	WB5081-PS06	5058-6AWG	25.4	30.48
7	WB5081-PS07	5058-7AWG	30.48	35.56
8	WB5081-PS08	5058-8AWG	35.56	40.64
9	WB5081-PS09	5058-9AWG	40.64	45.72
10	WB5081-PS10	5058-10AWG	45.72	50.8
11	WB5081-PS11	5058-11AWG	50.8	55.88
12	WB5081-PS12	5058-12AWG	55.88	60.96
13	WB5081-PS13	5058-13AWG	60.96	66.04
14	WB5081-PS14	5058-14AWG	66.04	71.12

2	Pin	Tin Plated Brass	N						
1	Housing	PA9T (UL94V-0)	1						
No.	Item/Material No.	Material	QTY	Remark					
Unmarked Tolerance		Yueqing Hegxing Electronics Co., Ltd							
X. ° ±3° X. X. ° ±0.5°									
>0-3	>3-18	>18-50	>50-120	Unit	Scale	Design Unit	Size	Part No.	
±0.12	±0.15	±0.3	±0.5	mm	—	Metric	A4		
Draw	Review	Approve	Material	Drawing No.	Part No.				
				Item	5058-NAWG				

5058 Type Wafer



PCB Layout



Poles	Part No.		Dimensions	
			A	B
2	WB5081-PSB02	5058-2AW	5.08	10.16
3	WB5081-PSB03	5058-3AW	10.16	15.24
4	WB5081-PSB04	5058-4AW	15.24	20.32
5	WB5081-PSB05	5058-5AW	20.32	25.4
6	WB5081-PSB06	5058-6AW	25.4	30.48
7	WB5081-PSB07	5058-7AW	30.48	35.56
8	WB5081-PSB08	5058-8AW	35.56	40.64
9	WB5081-PSB09	5058-9AW	40.64	45.72
10	WB5081-PSB10	5058-10AW	45.72	50.8
11	WB5081-PSB11	5058-11AW	50.8	55.88
12	WB5081-PSB12	5058-12AW	55.88	60.96
13	WB5081-PSB13	5058-13AW	60.96	66.04
14	WB5081-PSB14	5058-14AW	66.04	71.12

2	Pin	Tin Plated Brass	N						
1	Housing	PA9T (UL94V-0)	1						
No.	Item/Material No.	Material	QTY	Remark					
Unmarked Tolerance		Yueqing Hegxing Electronics Co., Ltd							
X. ° ±3° X. X° ±0.5°									
>0-3	>3-18	>18-50	>50-120	Unit	Scale	Design Unit	Size	Part No.	
±0.12	±0.15	±0.3	±0.5	mm	—	Metric	A4		
Draw	Review	Approve	Material	Drawing No.			Part No.		
				Item	5058-NAW				