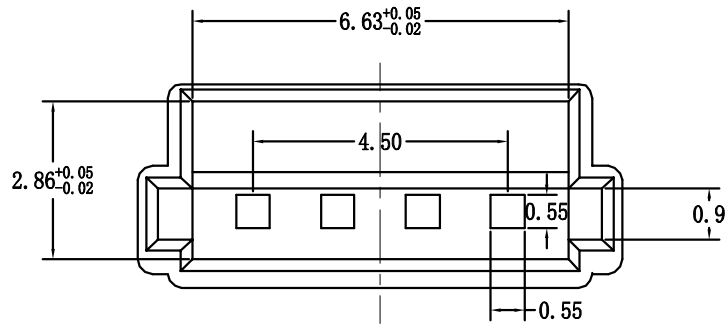
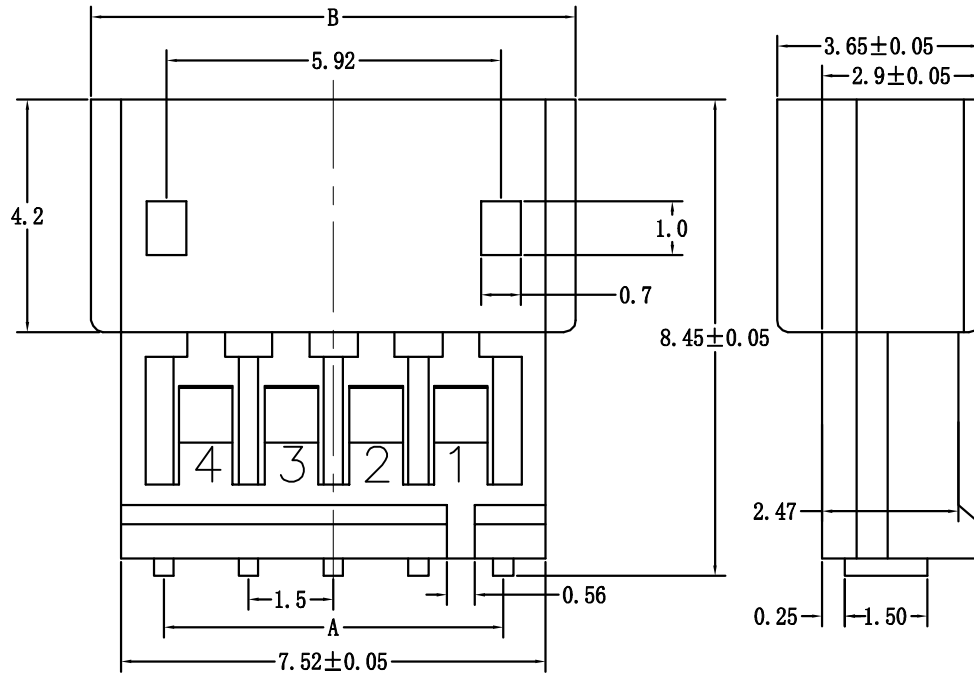


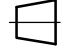


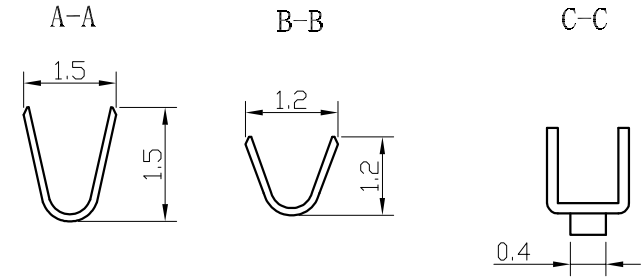
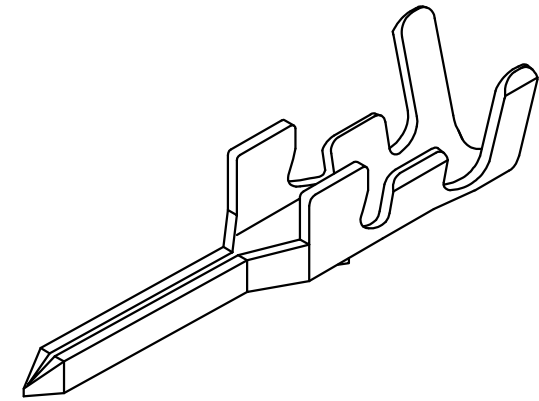
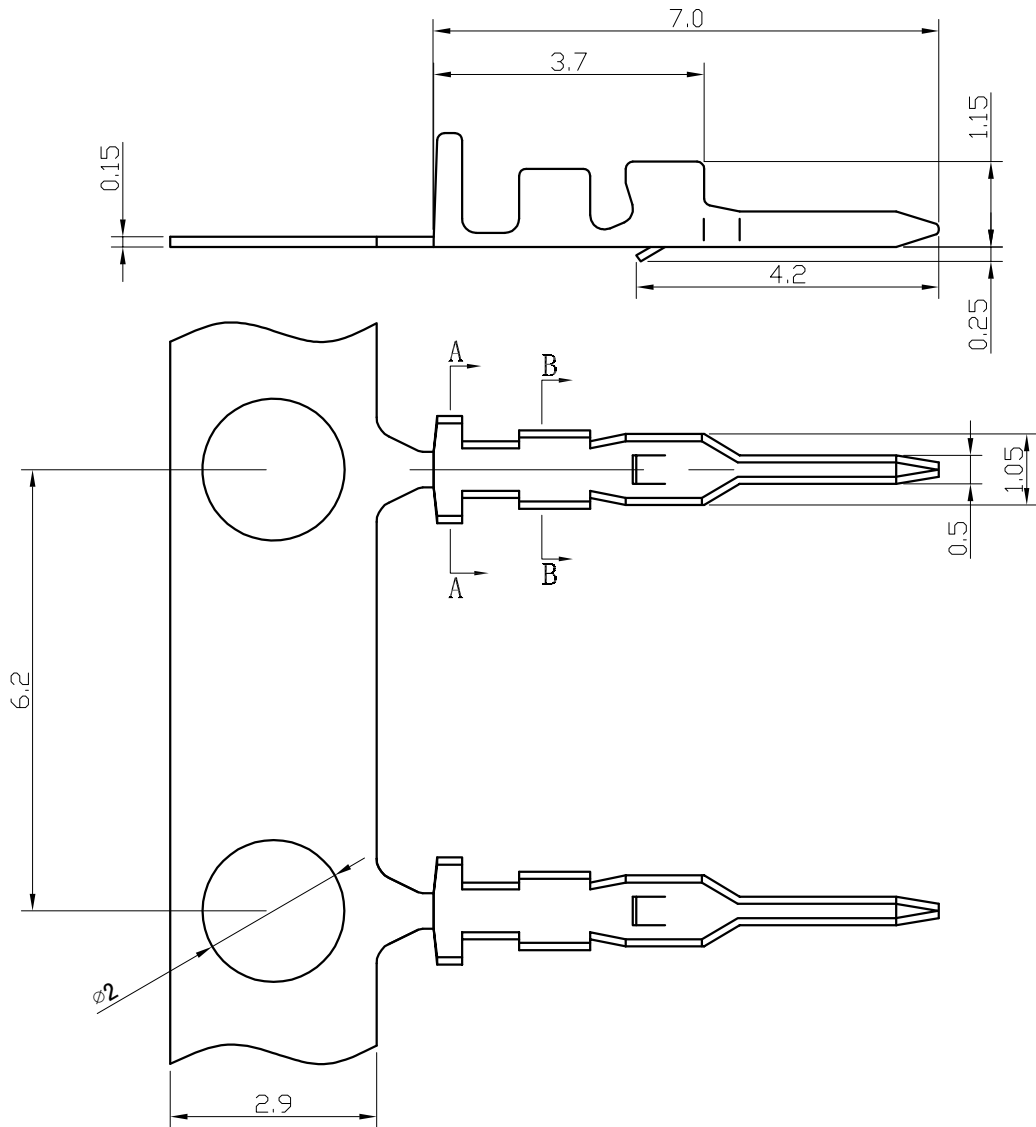
ZH Type Housing



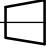


Poles	Part No.		Dimensions	
			A	B
2	WW1501-H02	51047-2R	1.5	5.55
3	WW1501-H03	51047-3R	3	7.05
4	WW1501-H04	51047-4R	4.5	8.55
5	WW1501-H05	51047-5R	6	10.05
6	WW1501-H06	51047-6R	7.5	11.55
7	WW1501-H07	51047-7R	9	13.05
8	WW1501-H08	51047-8R	10.5	14.55
9	WW1501-H09	51047-9R	12	16.05
10	WW1501-H10	51047-10R	13.5	17.55
11	WW1501-H11	51047-11R	15	19.05
12	WW1501-H12	51047-12R	16.5	20.55

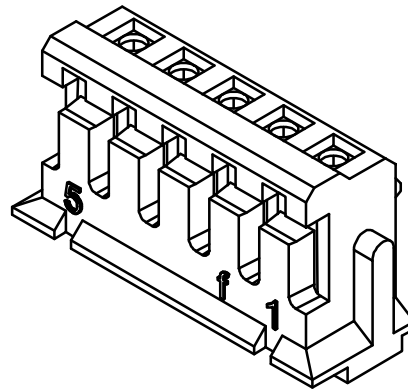
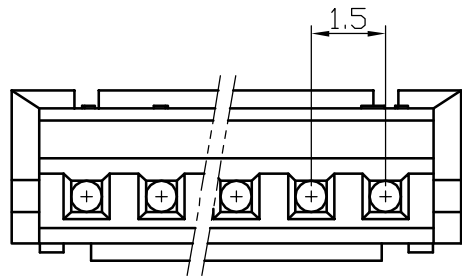
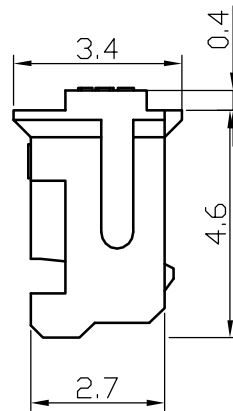
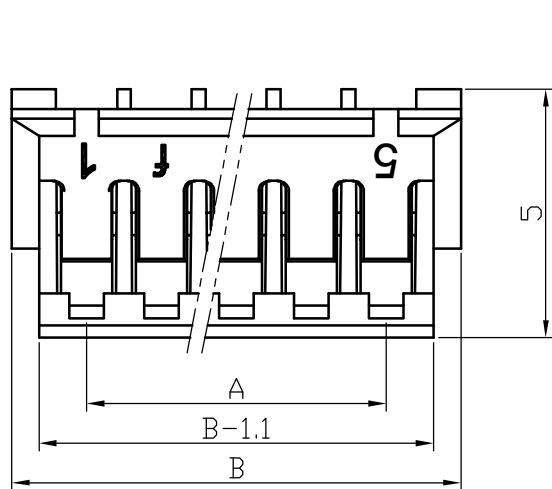
1	Housing	PA66(UL94V-0/V-2)	1	White					
No.	Item/Material No.	Material	QTY	Remark					
Unmarked Tolerance		 Yueqing Hegxing Electronics Co., Ltd							
X. ° ±3° X. X° ±0.5°									
>0-3	>3-18	>18-50	>50-120	Unit	Scale	Design Unit	Size	Part No.	 
±0.12	±0.15	±0.3	±0.5	mm	—	Metric	A4		
Draw	Review	Approve	Material	Drawing No.		Part No.			
				Item	ZH-NY				

ZH Type Terminal


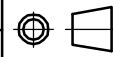


1	Terminal	Phospher Bronze	1	
No.	Item/Material No.	Material	QTY	Remark
Unmarked Tolerance		 Yueqing Hegxing Electronics Co., Ltd		
X. ° ±3° X. X° ±0.5°				
>0-3	>3-18	>18-50	>50-120	Unit
				Scale
				Design Unit
				Size
				Part No.
				 
±0.12	±0.15	±0.3	±0.5	mm
				Metric
				A4
Draw	Review	Approve	Material	Drawing No.
				Part No.
				Item
				ZH-RT

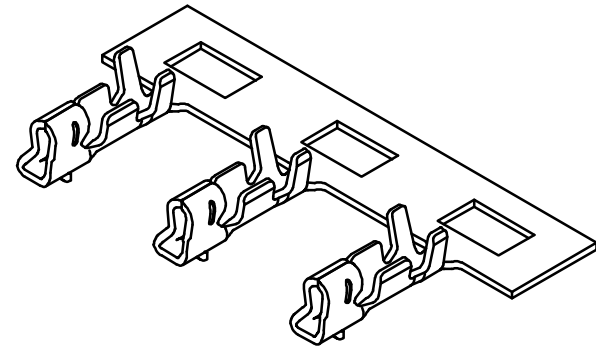
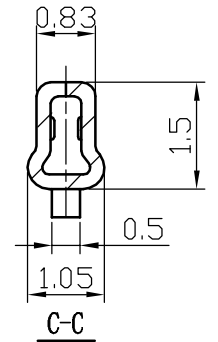
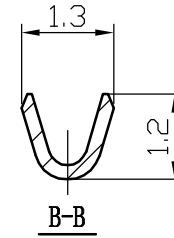
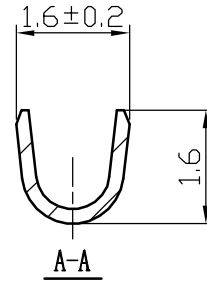
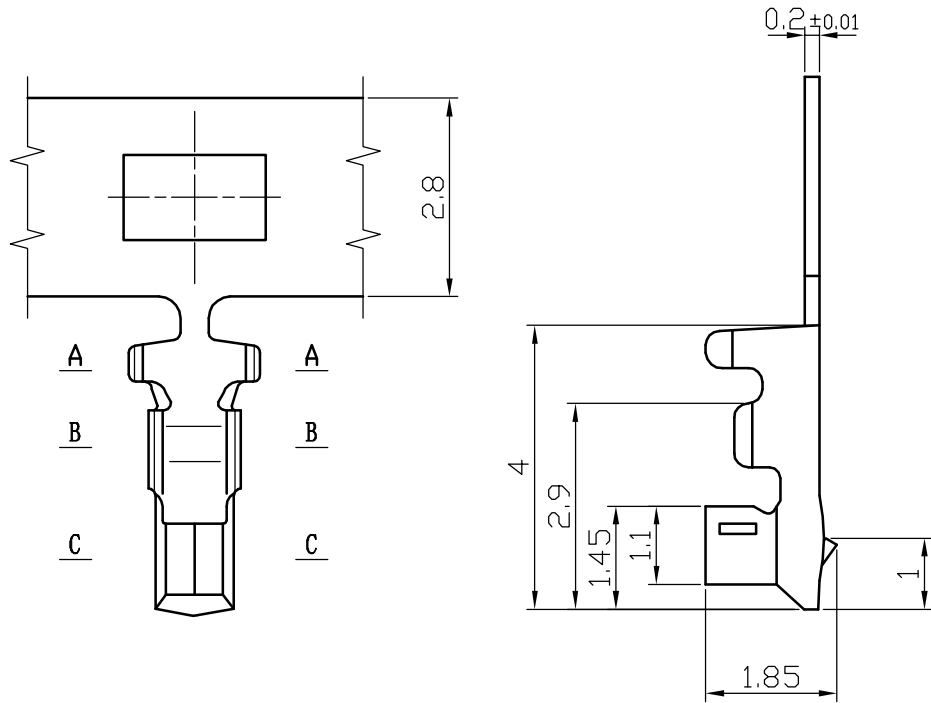
ZH Type Housing




Poles	Part No.		Dimensions	
			A	B
2	WB1501-H02	ZH-2Y	1.5	4.5
3	WB1501-H03	ZH-3Y	3	6
4	WB1501-H04	ZH-4Y	4.5	7.5
5	WB1501-H05	ZH-5Y	6	9
6	WB1501-H06	ZH-6Y	7.5	10.5
7	WB1501-H07	ZH-7Y	9	12
8	WB1501-H08	ZH-8Y	10.5	13.5
9	WB1501-H09	ZH-9Y	12	15
10	WB1501-H10	ZH-10Y	13.5	16.5
11	WB1501-H11	ZH-11Y	15	18
-	-	-	-	-
16	WB1501-H16	ZH-16Y	22.5	25.5

1	Housing	PA66 (UL94V-0/V-2)	1	White					
No.	Item/Material No.	Material	QTY	Remark					
Unmarked Tolerance		 Yueqing Hegxing Electronics Co., Ltd							
X. ° ±3° X. X. ° ±0.5°									
>0-3	>3-18	>18-50	>50-120	Unit	Scale	Design Unit	Size	Part No.	
±0.12	±0.15	±0.3	±0.5	mm	—	Metric	A4		
Draw	Review	Approve	Material	Drawing No.		Part No.			
				Item	ZH-NY				

ZH Type Terminal



1	WB1501-TP2	Phospher Bronze	1	
No.	Item/Material No.	Material	QTY	Remark
Unmarked Tolerance		 Yueqing Hegxing Electronics Co., Ltd		
X. ° ±3° X. X. ° ±0.5°				
>0-3	>3-18	>18-50	>50-120	
±0.12	±0.15	±0.3	±0.5	
Unit	Scale	Design Unit	Size	Part No.
mm	—	Metric	A4	
Draw	Review	Approve	Material	Drawing No.
			Item	ZH-T