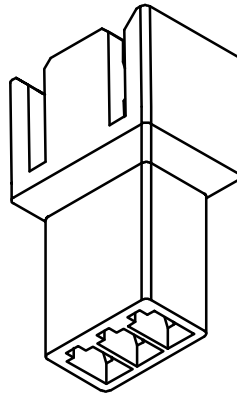
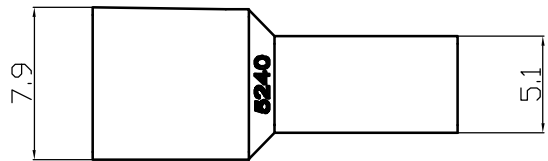
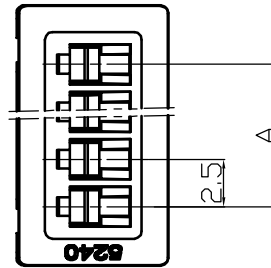
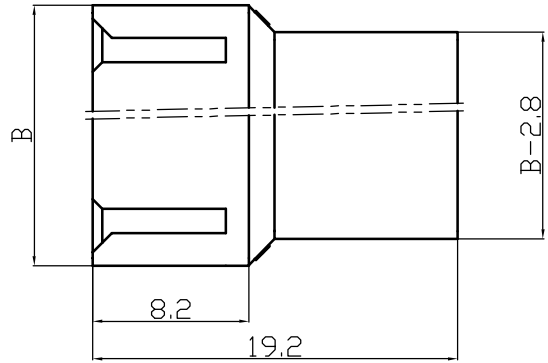




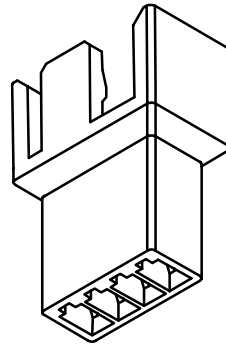
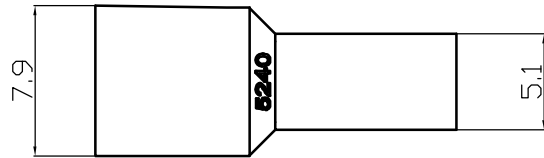
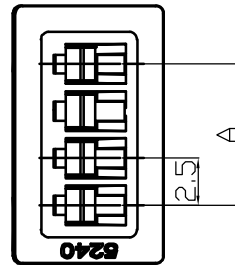
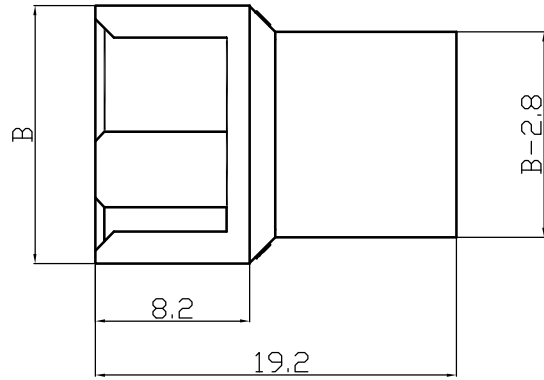
5240 Type Housing






Poles	Part No.		Dimensions	
			A	B
2	WW2505-H02	5240-2A	2.5	8.7
3	WW2505-H03	5240-3A	5	11.2
4	WW2505-H04	5240-4A	7.5	13.7

1	Housing	PA66(UL94V-0/V-2)	1	White					
No.	Item/Material No.	Material	QTY	Remark					
Unmarked Tolerance		 Yueqing Hegxing Electronics Co., Ltd							
X. ° ±3° X. X° ±0.5°									
>0-3	>3-18	>18-50	>50-120	Unit	Scale	Design Unit	Size	Part No.	
±0.12	±0.15	±0.3	±0.5	mm	—	Metric	A4		
Draw	Review	Approve	Material	Drawing No.	Part No.				
				Item	5240-NA				

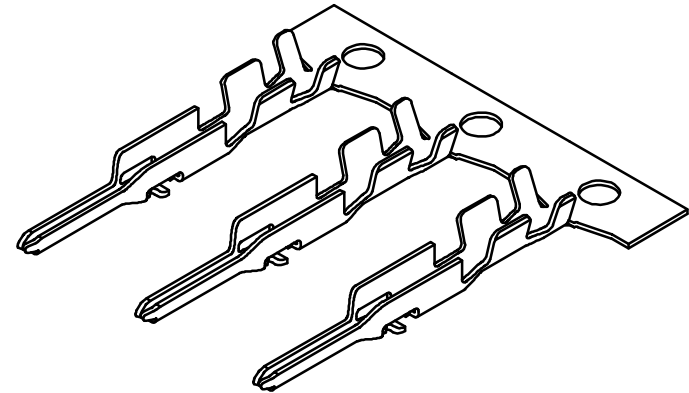
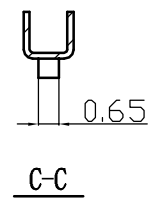
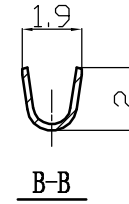
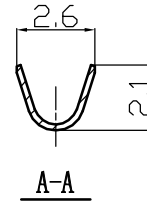
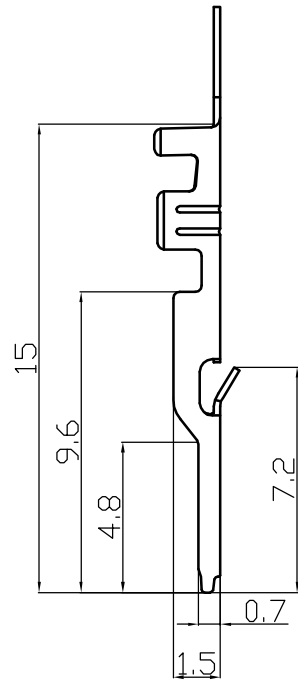
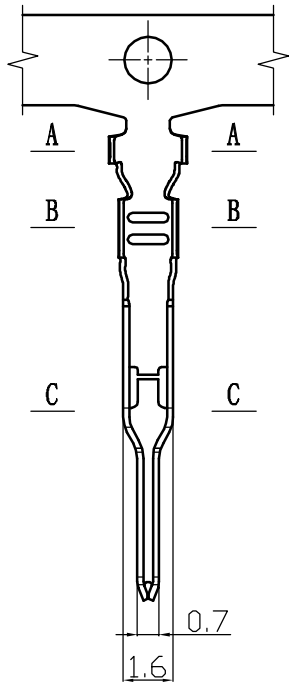
5240 Type Housing




Poles	Part No.		Dimensions	
	A	B	A	B
4	VW2505-HB04	5240B-4A	7.5	13.7

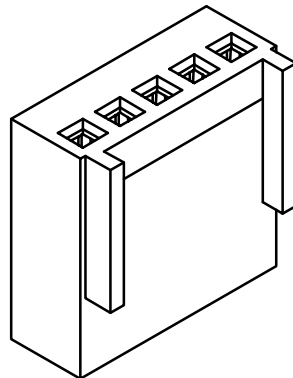
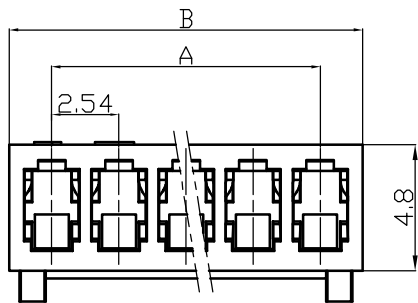
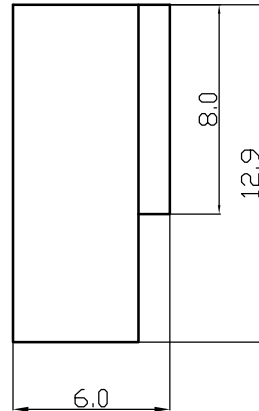
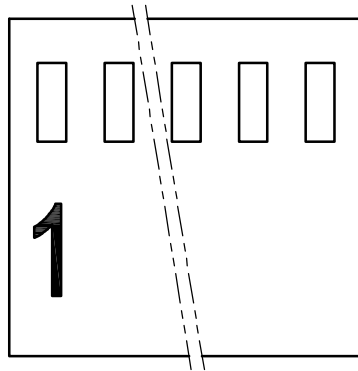
1	Housing	PA66(UL94V-0/V-2)	1	White					
No.	Item/Material No.	Material	QTY	Remark					
Unmarked Tolerance		 Yueqing Hegxing Electronics Co., Ltd							
X. ° ±3° X. X° ±0.5°									
>0-3	>3-18	>18-50	>50-120	Unit	Scale	Design Unit	Size	Part No.	 
±0.12	±0.15	±0.3	±0.5	mm	—	Metric	A4		
Draw	Review	Approve	Material	Drawing No.	Part No.				
				Item	5240B-NA				

5240 Type Terminal




1	WW2505-TP2	Phospher Bronze	1	
No.	Item/Material No.	Material	QTY	Remark
Unmarked Tolerance		 Yueqing Hegxing Electronics Co., Ltd		
X. ° ±3° X. X° ±0.5°				
>0-3	>3-18	>18-50	>50-120	
±0.12	±0.15	±0.3	±0.5	
Unit	Scale	Design Unit	Size	Part No.
mm	—	Metric	A4	
Draw	Review	Approve	Material	Drawing No.
				Part No.
			Item	5240-AT

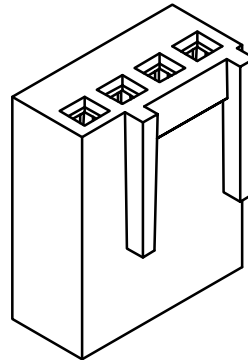
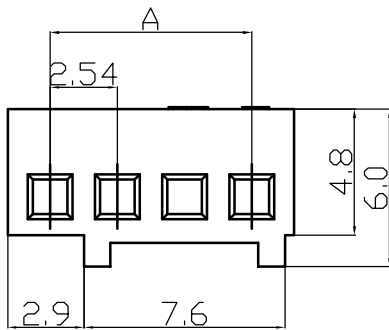
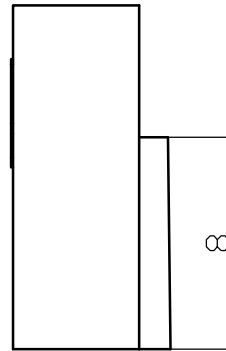
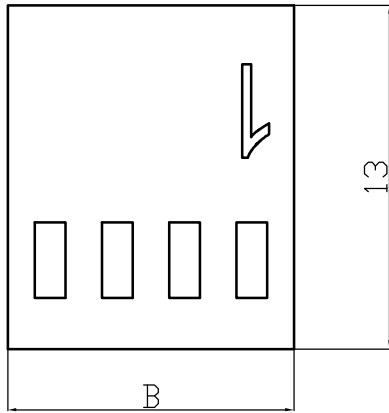
2510 Type Housing





Poles	Part No.		Dimensions	
			A	B
2	WB2543-H02	2510-2Y	2.54	5.76
3	WB2543-H03	2510-3Y	5.08	8.3
4	WB2543-H04	2510-4Y	7.62	10.84
5	WB2543-H05	2510-5Y	10.16	13.38
6	WB2543-H06	2510-6Y	12.7	15.92
7	WB2543-H07	2510-7Y	15.24	18.46
8	WB2543-H08	2510-8Y	17.78	21
9	WB2543-H09	2510-9Y	20.32	23.54
10	WB2543-H10	2510-10Y	22.86	26.08
11	WB2543-H11	2510-11Y	25.4	28.62
-	-	-	-	-
20	WB2543-H20	2510-20Y	48.26	50.8

1	Housing	PA66(UL94V-0/V-2)	1	White					
No.	Item/Material No.	Material	QTY	Remark					
Unmarked Tolerance		 Yueqing Hegxing Electronics Co., Ltd							
X. ° ±3° X. X° ±0.5°									
>0-3	>3-18	>18-50	>50-120	Unit	Scale	Design Unit	Size	Part No.	 
±0.12	±0.15	±0.3	±0.5	mm	—	Metric	A4		
Draw	Review	Approve	Material	Drawing No.			Part No.		
				Item	2510-NY				

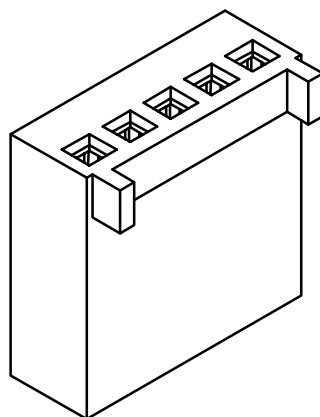
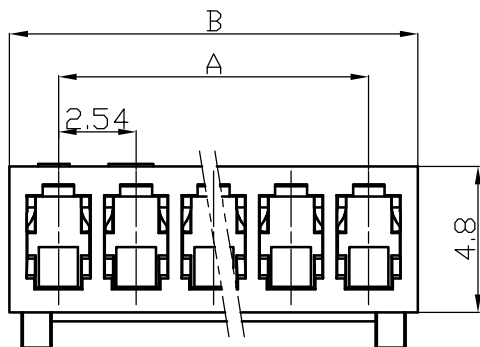
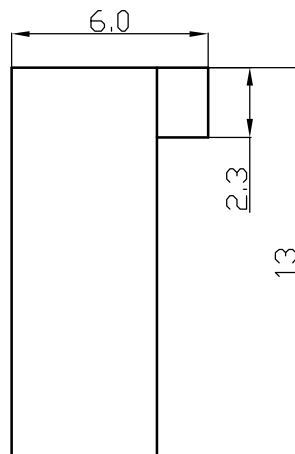
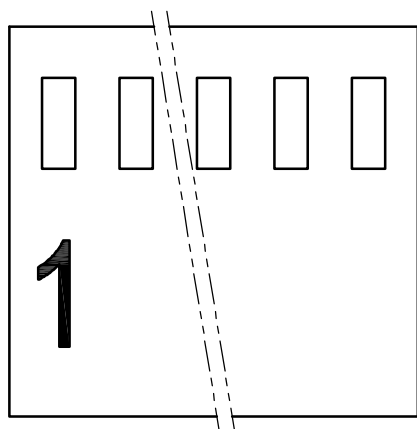
2510 Type Housing






Poles	Part No.	Dimensions	
		A	B
4	WW2543-HB04 2510B-4Y	7.62	10.84

1	Housing	PA66(UL94V-0/V-2)	1	White					
No.	Item/Material No.	Material	QTY	Remark					
Unmarked Tolerance		 Yueqing Hegxing Electronics Co., Ltd							
X. ° ±3° X. X° ±0.5°									
>0-3	>3-18	>18-50	>50-120	Unit	Scale	Design Unit	Size	Part No.	 
±0.12	±0.15	±0.3	±0.5	mm	—	Metric	A4		
Draw	Review	Approve	Material	Drawing No.	Part No.				
				Item	2510B-NY				

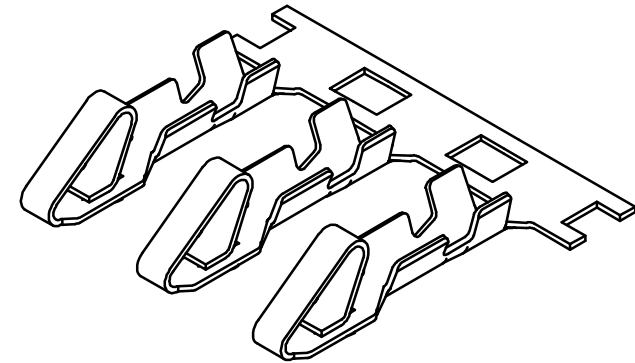
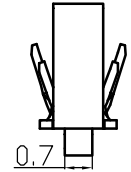
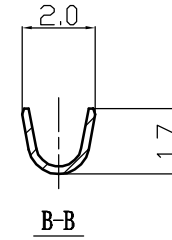
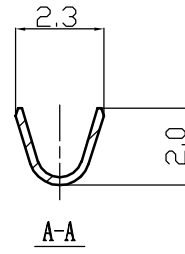
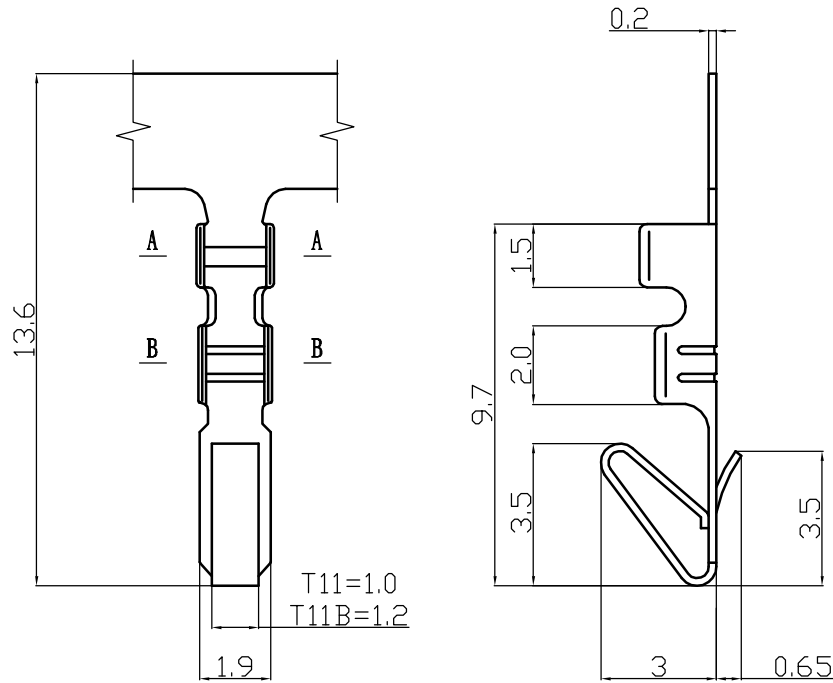
5240 Type Housing






Poles	Part No.		Dimensions	
			A	B
2	WB2543-HC02	2510-2Y	2.54	5.76
3	WB2543-HC03	2510-3Y	5.08	8.3
4	WB2543-HC04	2510-4Y	7.62	10.84
5	WB2543-HC05	2510-5Y	10.16	13.38
6	WB2543-HC06	2510-6Y	12.7	15.92
7	WB2543-HC07	2510-7Y	15.24	18.46
8	WB2543-HC08	2510-8Y	17.78	21
9	WB2543-HC09	2510-9Y	20.32	23.54
10	WB2543-HC10	2510-10Y	22.86	26.08
11	WB2543-HC11	2510-11Y	25.4	28.62
12	WB2543-HC12	2510-12Y	27.94	31.16
13	WB2543-HC13	2510-13Y	30.48	33.7
14	WB2543-HC14	2510-14Y	33.02	36.24
15	WB2543-HC15	2510-15Y	35.56	38.78
16	WB2543-HC16	2510-16Y	38.1	41.32

1	Housing	PA66(UL94V-0/V-2)	1	White					
No.	Item/Material No.	Material	QTY	Remark					
Unmarked Tolerance		 Yueqing Hegxing Electronics Co., Ltd							
X. ° ±3°	X. X° ±0.5°								
>0-3	>3-18	>18-50	>50-120	Unit	Scale	Design Unit	Size	Part No.	 
±0.12	±0.15	±0.3	±0.5	mm	—	Metric	A4		
Draw	Review	Approve	Material	Drawing No.	Part No.				
				Item	5240B-NA				

2510 Type Terminal



1	WW2543-TP2	Phospher Bronze	1							
No.	Item/Material No.	Material	QTY	Remark						
Unmarked Tolerance		 Yueqing Hegxing Electronics Co., Ltd								
X. ° ±3° X. X° ±0.5°										
>0-3	>3-18	>18-50	>50-120	Unit	Scale	Design Unit	Size	Part No.	 	
±0.12	±0.15	±0.3	±0.5	mm	—	Metric	A4			
Draw	Review	Approve	Material	Drawing No.			Part No.			
							Item	2510-T		