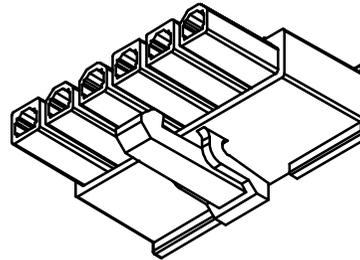
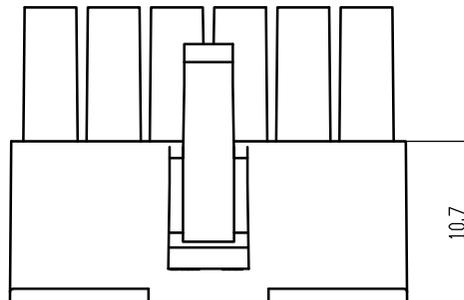
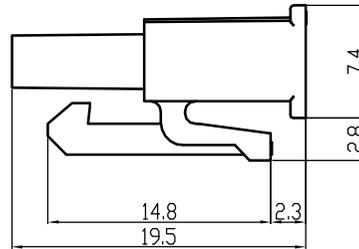
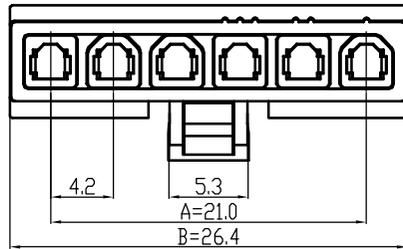
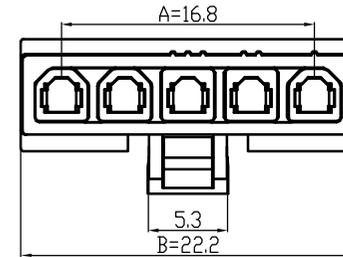
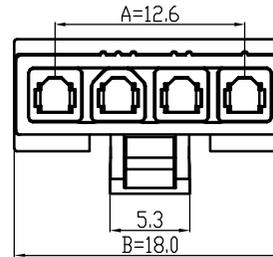
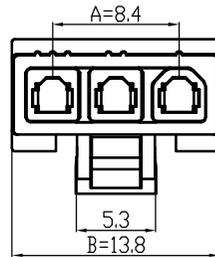
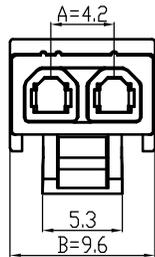


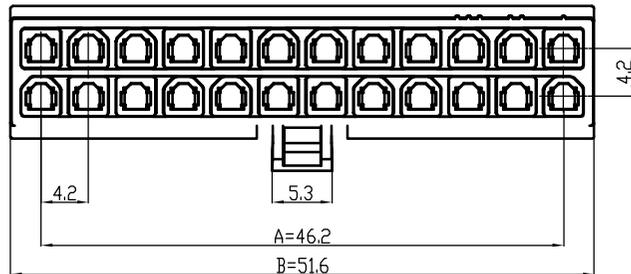
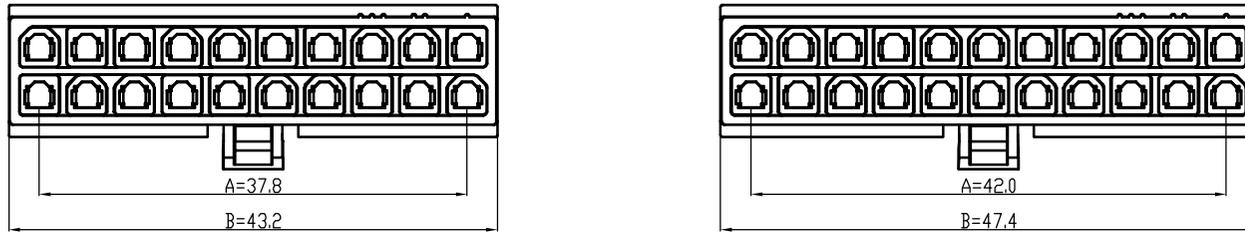
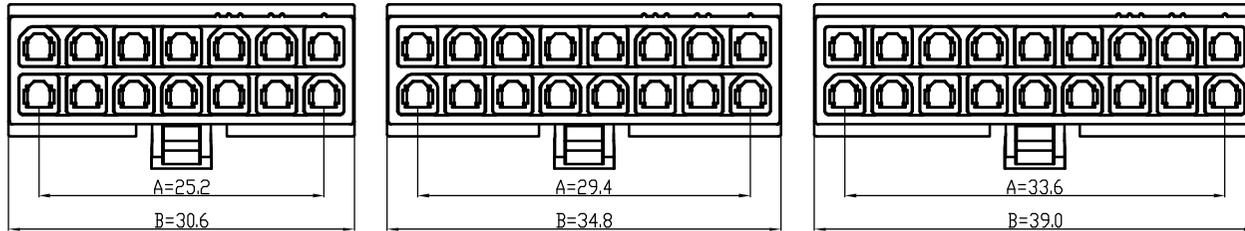
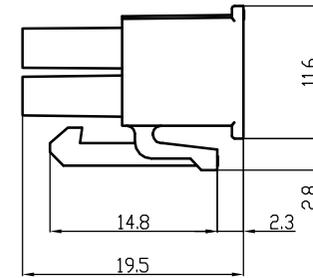
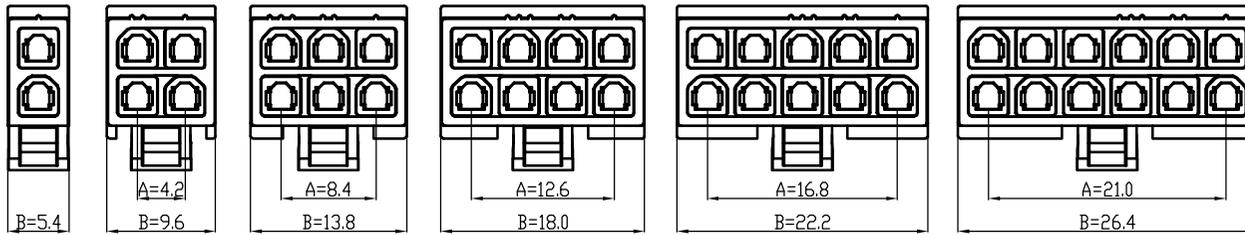
5557 Type Housing



Poles	Part No.		Dimensions	
			A	B
2	WW4201-H02	5557-2Y	4.2	9.6
3	WW4201-H03	5557-3Y	8.4	13.8
4	WW4201-H04	5557-4Y	12.6	18
5	WW4201-H05	5557-5Y	16.8	22.2
6	WW4201-H06	5557-6Y	21	26.4

1	Housing	PA66(UL94V-0/V-2)	1	White					
No.	Item/Material No.	Material	QTY	Remark					
Unmarked Tolerance		 Yueqing Hegxing Electronics Co., Ltd							
X. ° ±3° X. X° ±0.5°									
>0-3	>3-18	>18-50	>50-120	Unit	Scale	Design Unit	Size	Part No.	 
±0.12	±0.15	±0.3	±0.5	mm	—	Metric	A4		
Draw	Review	Approve	Material	Drawing No.	Part No.				
				Item	5557-NY				

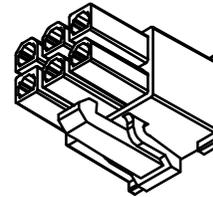
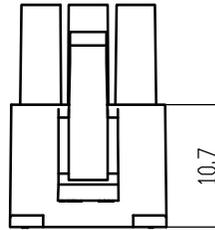
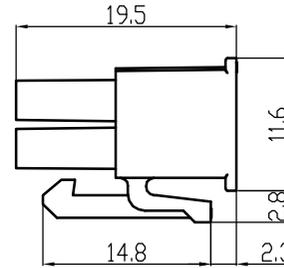
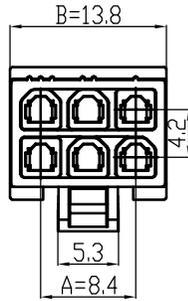
5557 Type Housing



Poles	Part No.		Dimensions	
			A	B
2	WW4201-H01x2	5557-2x1Y	-	5.4
4	WW4201-H02x2	5557-2x2Y	4.2	9.6
6	WW4201-H03x2	5557-2x3Y	8.4	13.8
8	WW4201-H04x2	5557-2x4Y	12.6	18
10	WW4201-H05x2	5557-2x5Y	16.8	22.2
12	WW4201-H06x2	5557-2x6Y	21	26.4
14	WW4201-H07x2	5557-2x7Y	25.2	30.6
16	WW4201-H08x2	5557-2x8Y	29.4	34.8
18	WW4201-H09x2	5557-2x9Y	33.6	39
20	WW4201-H10x2	5557-2x10Y	37.8	43.2
22	WW4201-H11x2	5557-2x11Y	42	47.4
24	WW4201-H12x2	5557-2x12Y	46.2	51.6

1	Housing	PA66(UL94V-0/V-2)	1	White					
No.	Item/Material No.	Material	QTY	Remark					
Unmarked Tolerance		Yueqing Hegxing Electronics Co., Ltd							
X. ° ±3° X. X° ±0.5°									
>0-3	>3-18	>18-50	>50-120	Unit	Scale	Design Unit	Size	Part No.	
±0.12	±0.15	±0.3	±0.5	mm	—	Metric	A4		
Draw	Review	Approve	Material	Drawing No.	Part No.				
				Item	5557-2xNY				

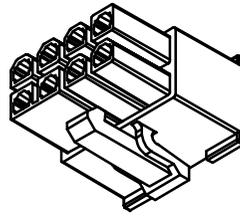
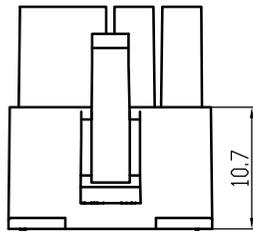
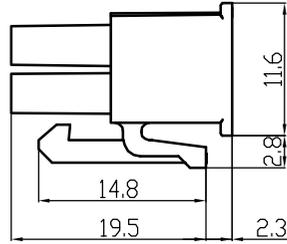
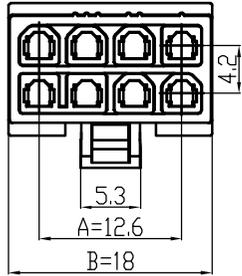
5557 Type Housing



Poles	Part No.		Dimensions	
			A	B
6	WW4201-HB03x2	5557-2x3YB	8.4	13.8

1	Housing	PA66(UL94V-0/V-2)	1	White					
No.	Item/Material No.	Material	QTY	Remark					
Unmarked Tolerance		 Yueqing Hegxing Electronics Co., Ltd							
X. ° ±3° X. X° ±0.5°									
>0-3	>3-18	>18-50	>50-120	Unit	Scale	Design Unit	Size	Part No.	 
±0.12	±0.15	±0.3	±0.5	mm	—	Metric	A4		
Draw	Review	Approve	Material	Drawing No.	Part No.				
				Item	5557-2x3YB				

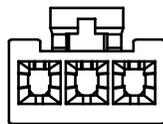
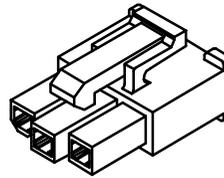
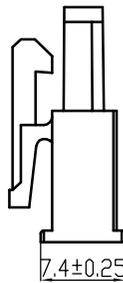
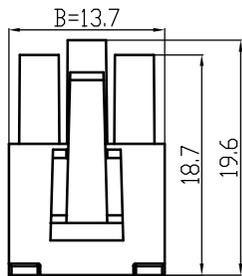
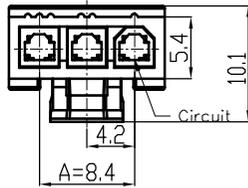
5557 Type Housing



Poles	Part No.		Dimensions	
			A	B
8	WW4201-HC04x2	5557-2x4YC	12.6	18

1	Housing	PA66(UL94V-0/V-2)	1	White					
No.	Item/Material No.	Material	QTY	Remark					
Unmarked Tolerance		 Yueqing Hegxing Electronics Co., Ltd							
X. ° ±3° X. X° ±0.5°									
>0-3	>3-18	>18-50	>50-120	Unit	Scale	Design Unit	Size	Part No.	 
±0.12	±0.15	±0.3	±0.5	mm	—	Metric	A4		
Draw	Review	Approve	Material	Drawing No.			Part No.		
				Item	5557-NY				

5557 Type Housing

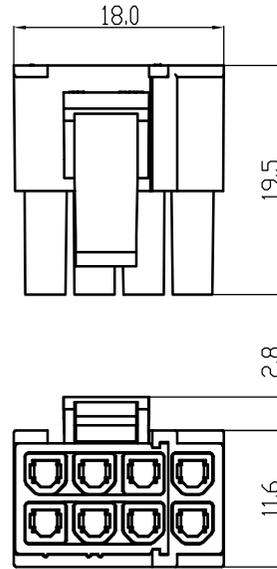
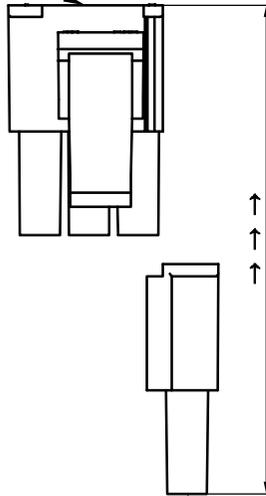
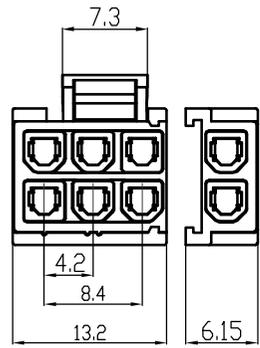


Poles	Part No.		Dimensions	
			A	B
3	WW4201-HD03	5557-3Y long & short leg	12.6	18

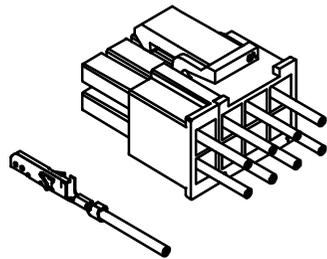
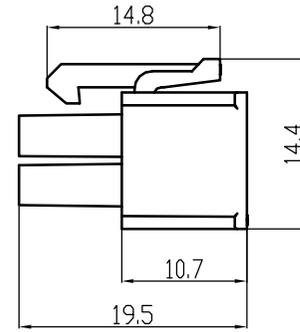
1	Housing	PA66(UL94V-0/V-2)	1	White					
No.	Item/Material No.	Material	QTY	Remark					
Unmarked Tolerance		 Yueqing Hegxing Electronics Co., Ltd							
X. ° ±3° X. X° ±0.5°									
>0-3	>3-18	>18-50	>50-120	Unit	Scale	Design Unit	Size	Part No.	 
±0.12	±0.15	±0.3	±0.5	mm	—	Metric	A4		
Draw	Review	Approve	Material	Drawing No.	Part No.				
				Item	5557-3Y(long & short leg)-158				

5557 Type Housing

5557-(6+2 combination)2*3Y



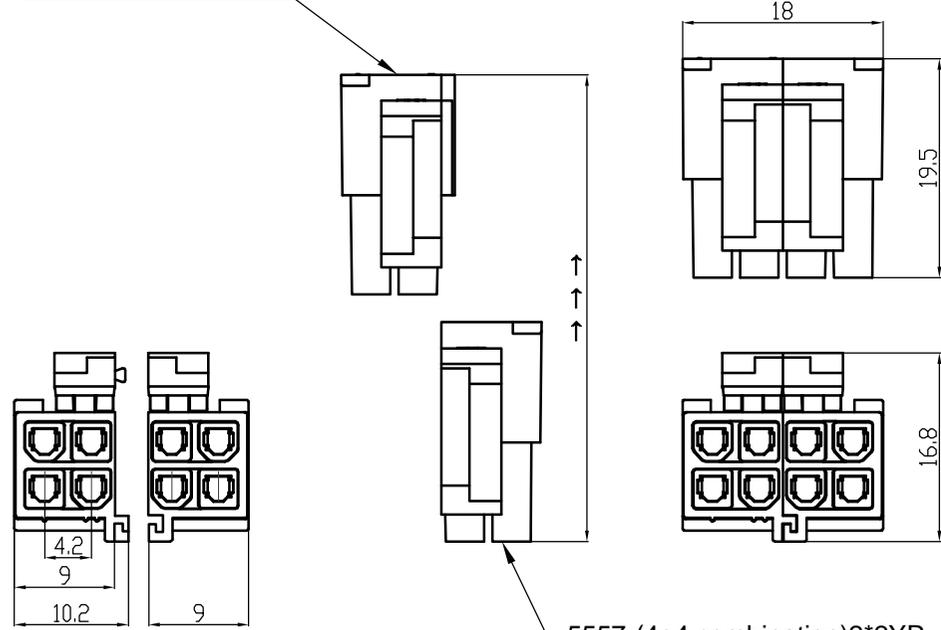
5557-(6+2 combination)2*1Y



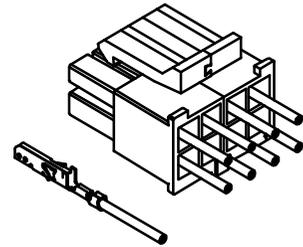
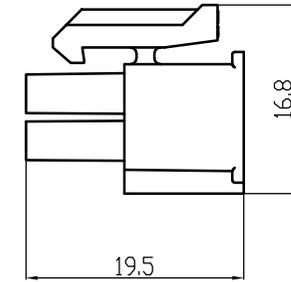
1	Housing	PA66(UL94V-0/V-2)	2	White					
No.	Item/Material No.	Material	QTY	Remark					
Unmarked Tolerance		 Yueqing Hegxing Electronics Co., Ltd							
X. ° ±3° X. X° ±0.5°									
>0-3	>3-18	>18-50	>50-120	Unit	Scale	Design Unit	Size	Part No.	 
±0.12	±0.15	±0.3	±0.5	mm	—	Metric	A4		
Draw	Review	Approve	Material	Drawing No.			Part No.		
				Item	5557-6+2 combination				

5557 Type Housing

5557-(4+4 combination)2*2YL

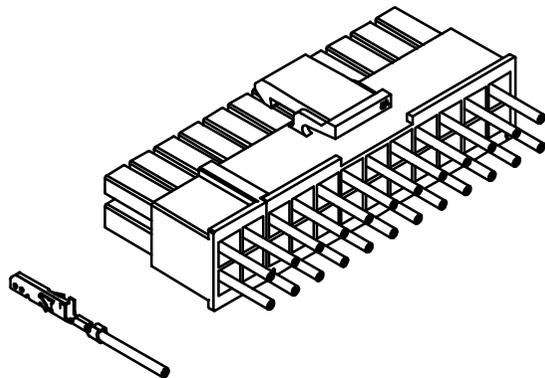
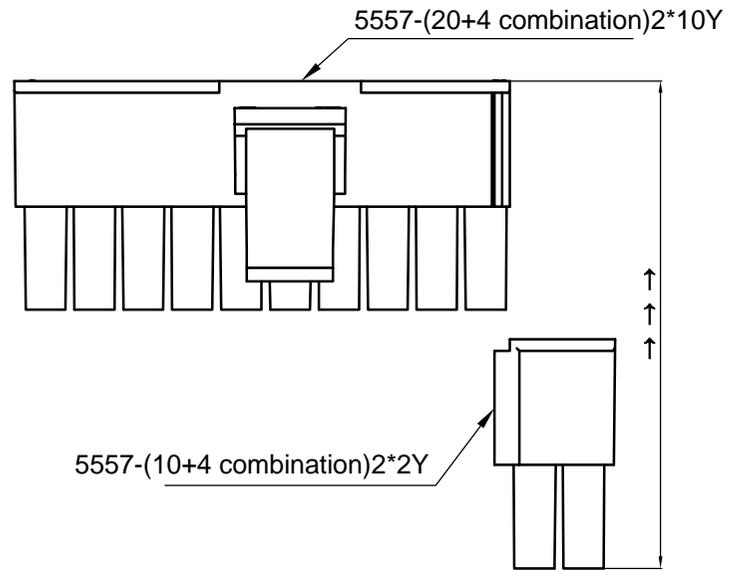
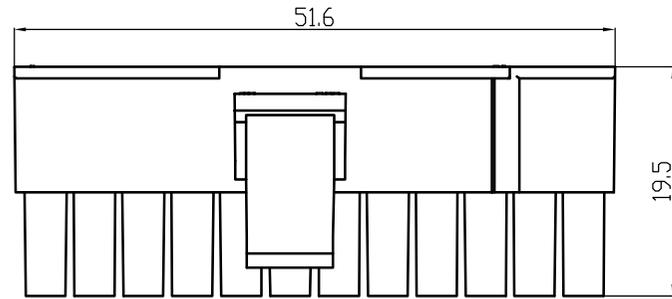
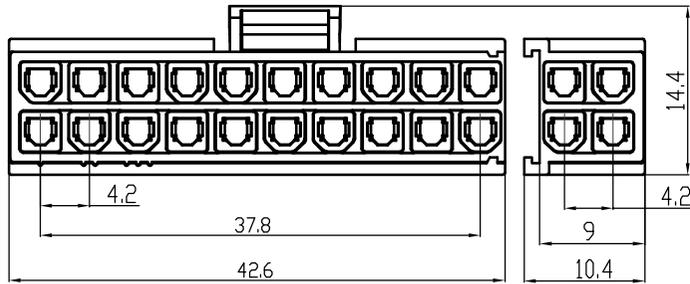
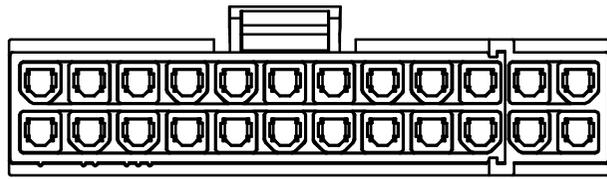


5557-(4+4 combination)2*2YR



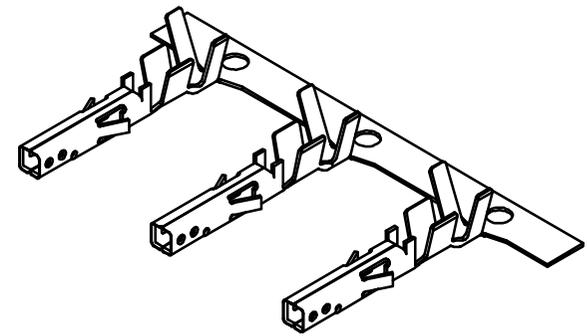
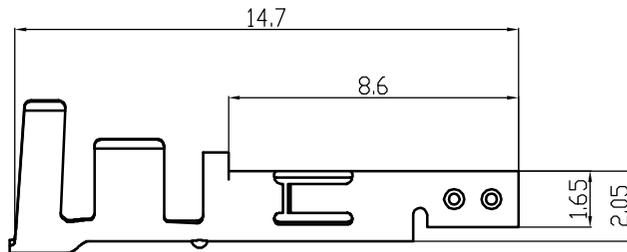
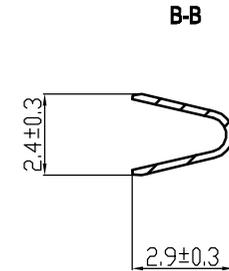
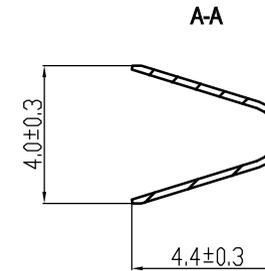
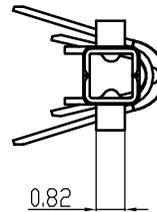
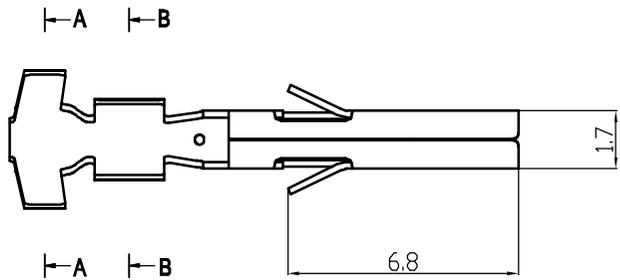
1	Housing	PA66(UL94V-0/V-2)	2	White					
No.	Item/Material No.	Material	QTY	Remark					
Unmarked Tolerance		 Yueqing Hegxing Electronics Co., Ltd							
X. ° ±3° X. X° ±0.5°									
>0-3	>3-18	>18-50	>50-120	Unit	Scale	Design Unit	Size	Part No.	 
±0.12	±0.15	±0.3	±0.5	mm	—	Metric	A4		
Draw	Review	Approve	Material	Drawing No.			Part No.		
				Item	5557-4+4 combination				

5557 Type Housing



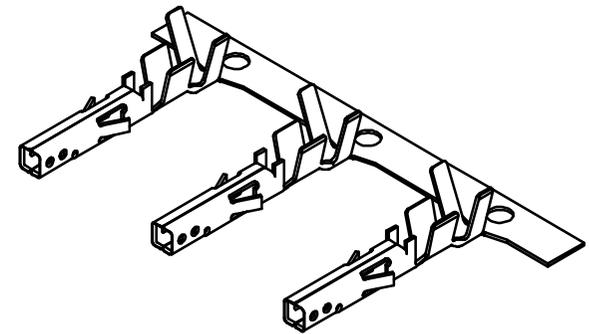
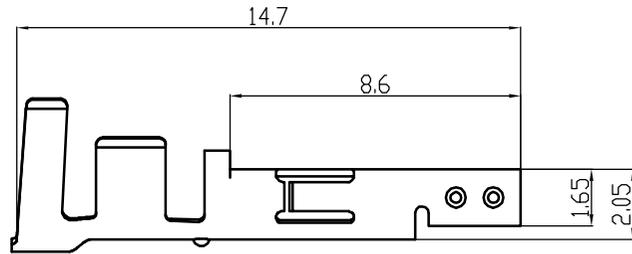
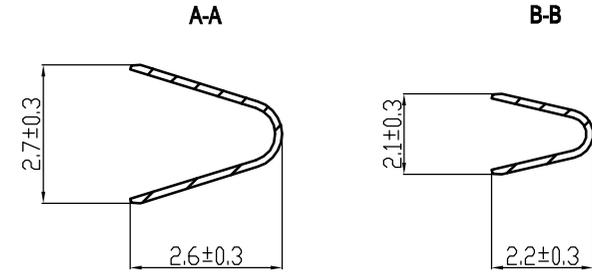
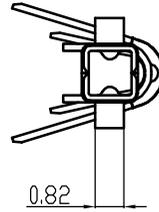
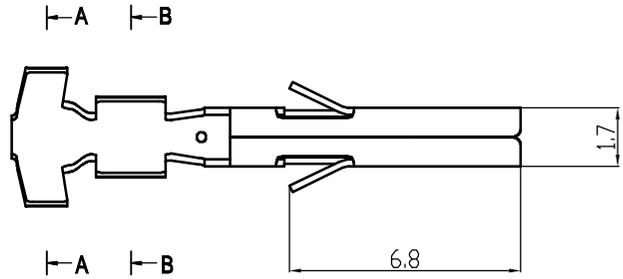
1	Housing	PA66(UL94V-0/V-2)	2	White					
No.	Item/Material No.	Material	QTY	Remark					
Unmarked Tolerance		 Yueqing Hegxing Electronics Co., Ltd							
X. ° ±3° X. X° ±0.5°									
>0-3	>3-18	>18-50	>50-120	Unit	Scale	Design Unit	Size	Part No.	 
±0.12	±0.15	±0.3	±0.5	mm	—	Metric	A4		
Draw	Review	Approve	Material	Drawing No.			Part No.		
				Item	5557-20+4 combination				

5557 Type Terminal



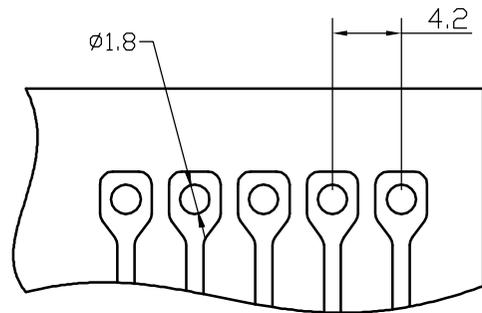
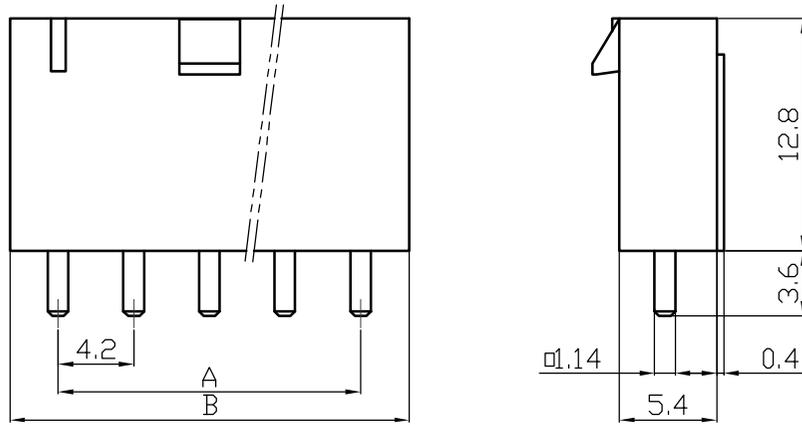
1	Terminal	Phospher Bronze	1						
No.	Item/Material No.	Material	QTY	Remark					
Unmarked Tolerance		 Yueqing Hegxing Electronics Co., Ltd							
X. ° ±3°	X. X° ±0.5°								
>0-3	>3-18	>18-50	>50-120	Unit	Scale	Design Unit	Size	Part No.	 
±0.12	±0.15	±0.3	±0.5	mm	—	Metric	A4		
Draw	Review	Approve	Material	Drawing No.	Part No.				
				Item	5557-YT high leg				

5557 Type Terminal



1	Terminal	Phospher Bronze	1	
No.	Item/Material No.	Material	QTY	Remark
Unmarked Tolerance		 Yueqing Hegxing Electronics Co., Ltd		
X. ° ±3°	X. X° ±0.5°			
>0-3	>3-18	>18-50	>50-120	
±0.12	±0.15	±0.3	±0.5	
Unit	Scale	Design Unit	Size	Part No.
mm	—	Metric	A4	
Draw	Review	Approve	Material	Drawing No.
			Item	5557-YT low leg

5569 Type Wafer



PCB Layout

Poles	Part No.		Dimensions	
			A	B
2	WB4201-PT02	5569-2A2	4.2	9.6
3	WB4201-PT03	5569-3A2	8.4	13.8
4	WB4201-PT04	5569-4A2	12.6	18
5	WB4201-PT05	5569-5A2	16.8	22.2
6	WB4201-PT06	5569-6A2	21	26.4

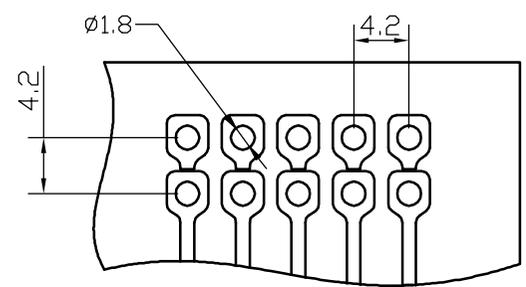
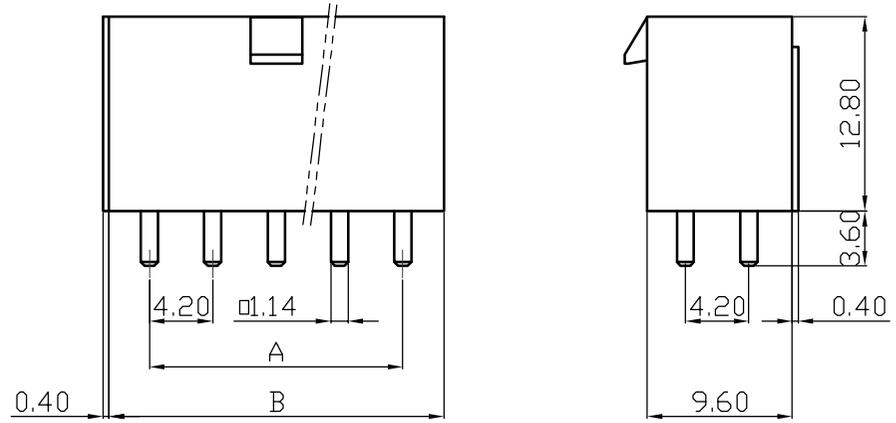
2	Pin	Tin Plated Brass	N						
1	Housing	PA9T (UL94V-0)	1						
No.	Item/Material No.	Material	QTY	Remark					
Unmarked Tolerance		 Yueqing Hegxing Electronics Co., Ltd							
X. ° ±3° X. X° ±0.5°									
>0-3	>3-18	>18-50	>50-120	Unit	Scale	Design Unit	Size	Part No.	 
±0.12	±0.15	±0.3	±0.5	mm	—	Metric	A4		
Draw	Review	Approve	Material	Drawing No.	Part No.				
				Item	5569-NA2				

15 14 13 12 11 10 9 8 7 6 5 4 3 2 1

5569 Type Wafer

M
L
K
J
H
G
F
E
D
C
B
A

M
L
K
J
H
G
F
E
D
C
B
A



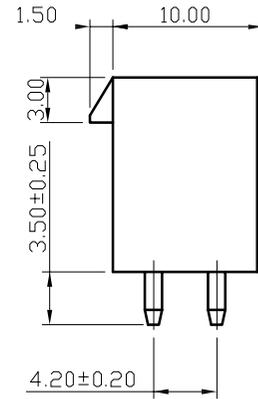
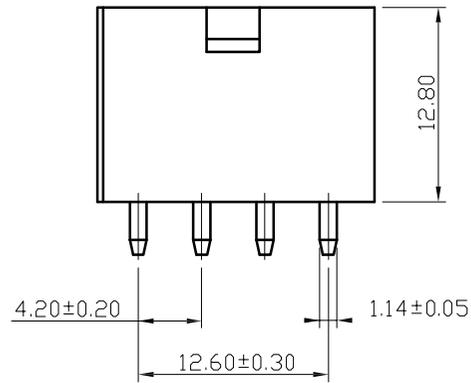
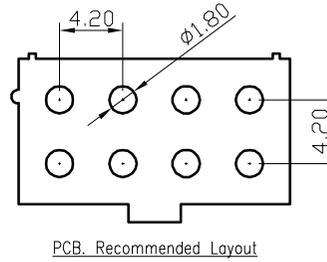
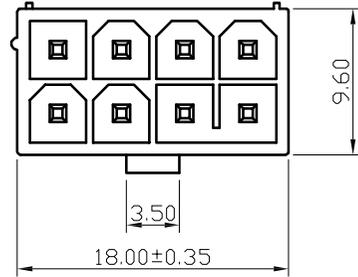
PCB Layout

Poles	Part No.		Dimensions	
			A	B
2	WB4201-PT01x2	5569-2x1A2	-	5.4
4	WB4201-PT02x2	5569-2x2A2	4.2	9.6
6	WB4201-PT03x2	5569-2x3A2	8.4	13.8
8	WB4201-PT04x2	5569-2x4A2	12.6	18
10	WB4201-PT05x2	5569-2x5A2	16.8	22.2
12	WB4201-PT06x2	5569-2x6A2	21	26.4
14	WB4201-PT07x2	5569-2x7A2	25.2	30.6
16	WB4201-PT08x2	5569-2x8A2	29.4	34.8
18	WB4201-PT09x2	5569-2x9A2	33.6	39
20	WB4201-PT10x2	5569-2x10A2	37.8	43.2
22	WB4201-PT11x2	5569-2x11A2	42	47.4
24	WB4201-PT12x2	5569-2x12A2	46.2	51.6

2	Pin	Tin Plated Brass	N						
1	Housing	PA9T (UL94V-0)	1						
No.	Item/Material No.	Material	QTY	Remark					
Unmarked Tolerance		 Yueqing Hegxing Electronics Co., Ltd							
X. ° ±3°	X. X° ±0.5°								
>0-3	>3-18	>18-50	>50-120	Unit	Scale	Design Unit	Size	Part No.	 
±0.12	±0.15	±0.3	±0.5	mm	—	Metric	A4		
Draw	Review	Approve	Material	Drawing No.	Part No.				
				Item	5569-2xNA2				

15 14 13 12 11 10 9 8 7 6 5 4 3 2 1

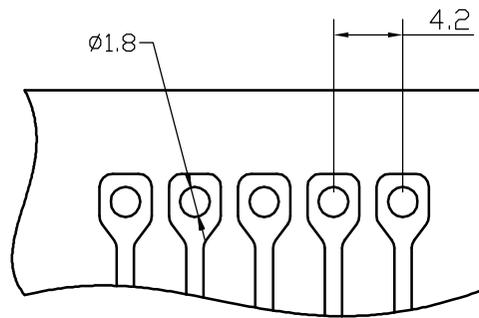
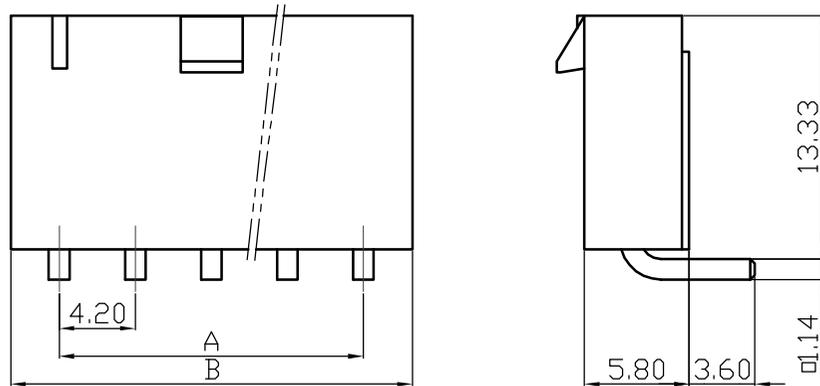
5569 Type Wafer



Poles	Part No.	
8	WB4201-PTB04x2	5569-2x4A2(78P in one)-158

2	Pin	Tin Plated Brass	N						
1	Housing	PA9T (UL94V-0)	1						
No.	Item/Material No.	Material	QTY	Remark					
Unmarked Tolerance		Yueqing Hegxing Electronics Co., Ltd							
X. ° ±3° X. X° ±0.5°									
>0-3	>3-18	>18-50	>50-120	Unit	Scale	Design Unit	Size	Part No.	
±0.12	±0.15	±0.3	±0.5	mm	—	Metric	A4		
Draw	Review	Approve	Material	Drawing No.	Part No.				
			Item	5569-2x4A2(78P in one)-158					

5569 Type Wafer

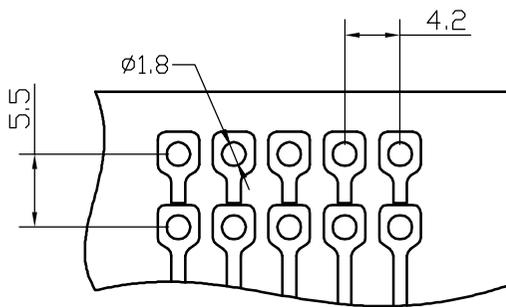
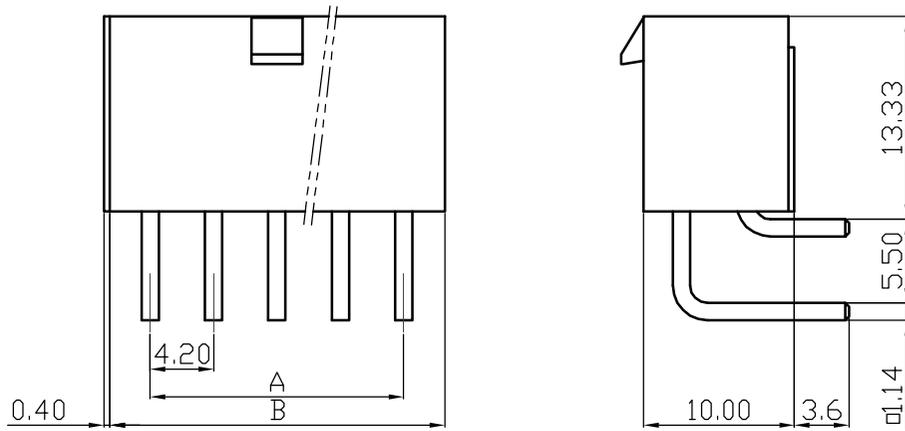


PCB Layout

Poles	Part No.		Dimensions	
			A	B
2	WB4201-PS02	5569-2AW	4.2	9.6
3	WB4201-PS03	5569-3AW	8.4	13.8
4	WB4201-PS04	5569-4AW	12.6	18
5	WB4201-PS05	5569-5AW	16.8	22.2
6	WB4201-PS06	5569-6AW	21	26.4

2	Pin	Tin Plated Brass	N						
1	Housing	PA9T (UL94V-0)	1						
No.	Item/Material No.	Material	QTY	Remark					
Unmarked Tolerance		 Yueqing Hegxing Electronics Co., Ltd							
X. ° ±3° X. X° ±0.5°									
>0-3	>3-18	>18-50	>50-120	Unit	Scale	Design Unit	Size	Part No.	 
±0.12	±0.15	±0.3	±0.5	mm	—	Metric	A4		
Draw	Review	Approve	Material	Drawing No.			Part No.		
				Item	5569-NAW				

5569 Type Wafer

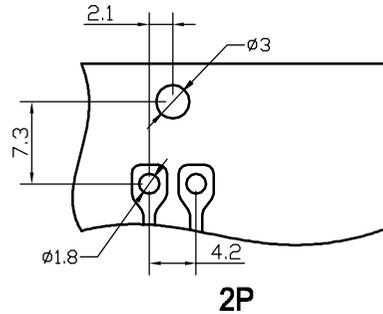
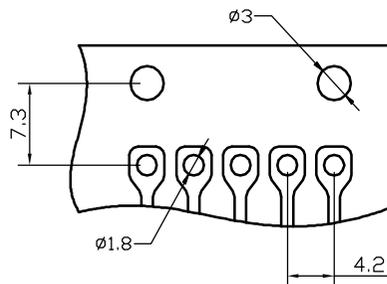
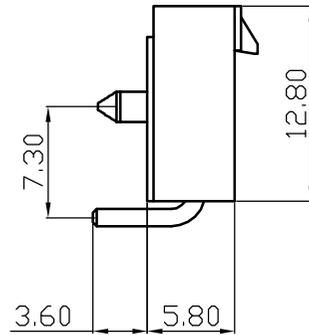
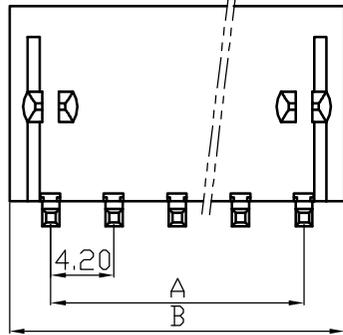
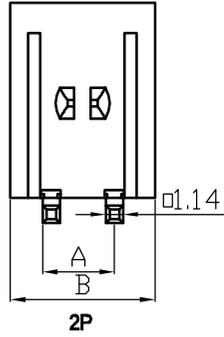


PCB Layout

Poles	Part No.		Dimensions	
			A	B
2	WB4201-PS01x2	5569-2x1AW	-	5.4
4	WB4201-PS02x2	5569-2x2AW	4.2	9.6
6	WB4201-PS03x2	5569-2x3AW	8.4	13.8
8	WB4201-PS04x2	5569-2x4AW	12.6	18
10	WB4201-PS05x2	5569-2x5AW	16.8	22.2
12	WB4201-PS06x2	5569-2x6AW	21	26.4
14	WB4201-PS07x2	5569-2x7AW	25.2	30.6
16	WB4201-PS08x2	5569-2x8AW	29.4	34.8
18	WB4201-PS09x2	5569-2x9AW	33.6	39
20	WB4201-PS10x2	5569-2x10AW	37.8	43.2
22	WB4201-PS11x2	5569-2x11AW	42	47.4
24	WB4201-PS12x2	5569-2x12AW	46.2	51.6

2	Pin	Tin Plated Brass	N						
1	Housing	PA9T (UL94V-0)	1						
No.	Item/Material No.	Material	QTY	Remark					
Unmarked Tolerance		Yueqing Hegxing Electronics Co., Ltd							
X. ° ±3° X. X° ±0.5°									
>0-3	>3-18	>18-50	>50-120	Unit	Scale	Design Unit	Size	Part No.	
±0.12	±0.15	±0.3	±0.5	mm	—	Metric	A4		
Draw	Review	Approve	Material	Drawing No.	Part No.				
				Item	5569-2xNAW				

5569 Type Wafer



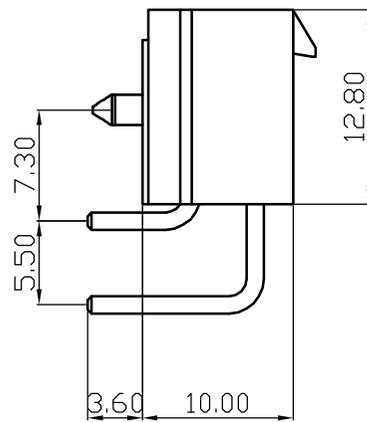
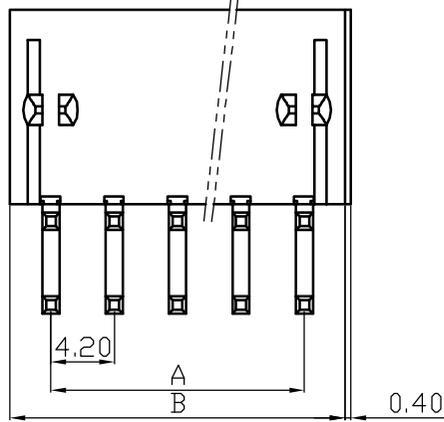
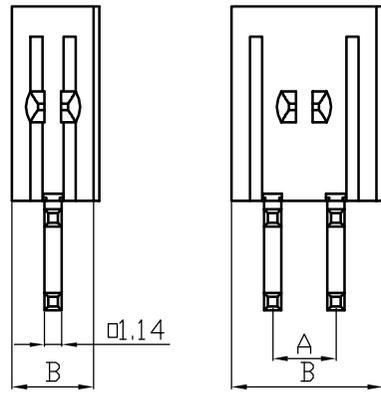
PCB Layout

2P

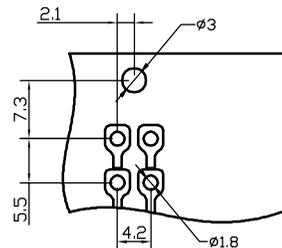
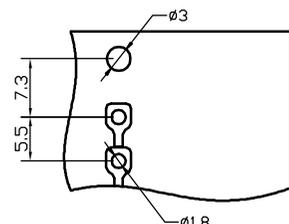
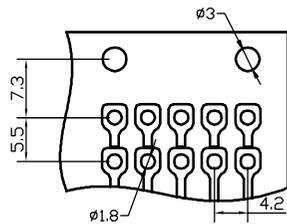
Poles	Part No.		Dimensions	
			A	B
2	WB4201-PSB02	5569-2AWL	4.2	9.6
3	WB4201-PSB03	5569-3AWL	8.4	13.8
4	WB4201-PSB04	5569-4AWL	12.6	18
5	WB4201-PSB05	5569-5AWL	16.8	22.2
6	WB4201-PSB06	5569-6AWL	21	26.4

2	Pin	Tin Plated Brass	N						
1	Housing	PA9T (UL94V-0)	1						
No.	Item/Material No.	Material	QTY	Remark					
Unmarked Tolerance		Yueqing Hegxing Electronics Co., Ltd							
X. ° ±3° X. X° ±0.5°									
>0-3	>3-18	>18-50	>50-120	Unit	Scale	Design Unit	Size	Part No.	
±0.12	±0.15	±0.3	±0.5	mm	—	Metric	A4		
Draw	Review	Approve	Material	Drawing No.			Part No.		
				Item	5569-NAWL				

5569 Type Wafer



Poles	Part No.		Dimensions	
			A	B
2	WB4201-PSB01x2	5569-2x1AWL	-	5.4
4	WB4201-PSB02x2	5569-2x2AWL	4.2	9.6
6	WB4201-PSB03x2	5569-2x3AWL	8.4	13.8
8	WB4201-PSB04x2	5569-2x4AWL	12.6	18
10	WB4201-PSB05x2	5569-2x5AWL	16.8	22.2
12	WB4201-PSB06x2	5569-2x6AWL	21	26.4
14	WB4201-PSB07x2	5569-2x7AWL	25.2	30.6
16	WB4201-PSB08x2	5569-2x8AWL	29.4	34.8
18	WB4201-PSB09x2	5569-2x9AWL	33.6	39
20	WB4201-PSB10x2	5569-2x10AWL	37.8	43.2
22	WB4201-PSB11x2	5569-2x11AWL	42	47.4
24	WB4201-PSB12x2	5569-2x12AWL	46.2	51.6

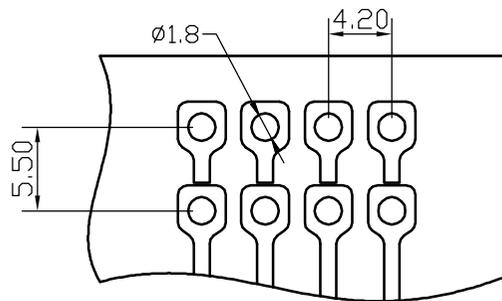
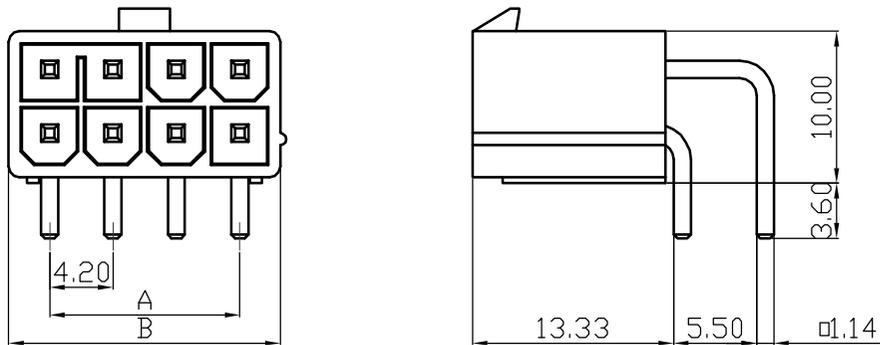


1P
PCB Layout

2P

2	Pin	Tin Plated Brass	N						
1	Housing	PA9T (UL94V-0)	1						
No.	Item/Material No.	Material	QTY	Remark					
Unmarked Tolerance		Yueqing Hegxing Electronics Co., Ltd							
X. ° ±3° X. X° ±0.5°									
>0-3	>3-18	>18-50	>50-120	Unit	Scale	Design Unit	Size	Part No.	
±0.12	±0.15	±0.3	±0.5	mm	—	Metric	A4		
Draw	Review	Approve	Material	Drawing No.	Part No.				
				Item	5569-2xNAWL				

5569 Type Wafer

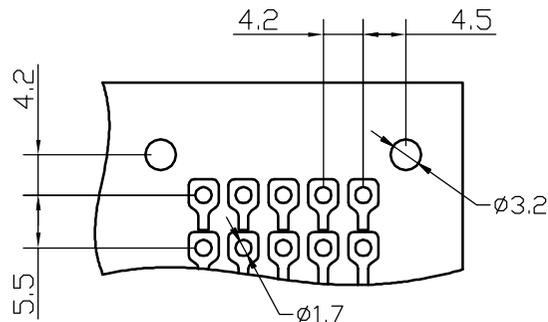
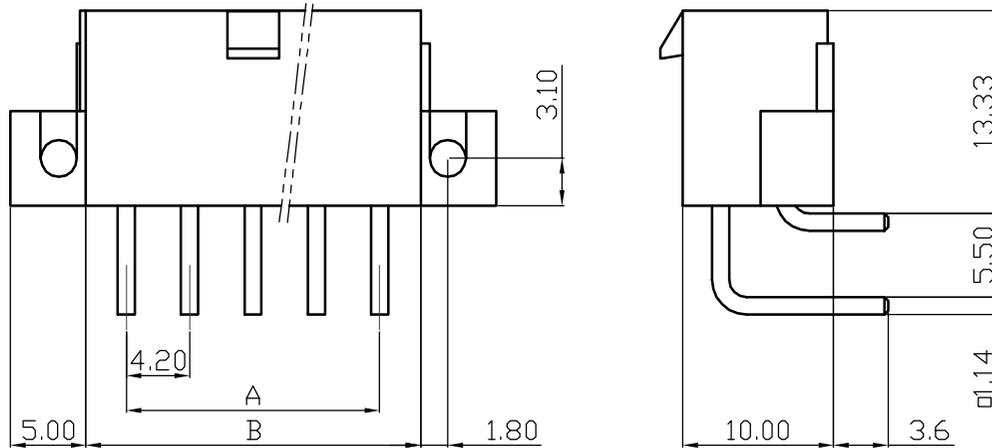


PCB Layout

Poles	Part No.		Dimensions	
	A	B	A	B
8	WB4201-PSC04x2	5569-2x4AW(78P in one)	12.6	18

2	Pin	Tin Plated Brass	N						
1	Housing	PA9T (UL94V-0)	1						
No.	Item/Material No.	Material	QTY	Remark					
Unmarked Tolerance		 Yueqing Hegxing Electronics Co., Ltd							
X. ° ±3° X. X° ±0.5°									
>0-3	>3-18	>18-50	>50-120	Unit	Scale	Design Unit	Size	Part No.	 
±0.12	±0.15	±0.3	±0.5	mm	—	Metric	A4		
Draw	Review	Approve	Material	Drawing No.	Part No.				
			Item	5569-2x4aw(78P in one)					

5569 Type Wafer



PCB Layout

Poles	Part No.		Dimensions	
			A	B
2	WB4201-PSD01x2	5569-2x1AW	-	5.4
4	WB4201-PSD02x2	5569-2x2AW	4.2	9.6
6	WB4201-PSD03x2	5569-2x3AW	8.4	13.8
8	WB4201-PSD04x2	5569-2x4AW	12.6	18
10	WB4201-PSD05x2	5569-2x5AW	16.8	22.2
12	WB4201-PSD06x2	5569-2x6AW	21	26.4
14	WB4201-PSD07x2	5569-2x7AW	25.2	30.6
16	WB4201-PSD08x2	5569-2x8AW	29.4	34.8
18	WB4201-PSD09x2	5569-2x9AW	33.6	39
20	WB4201-PSD10x2	5569-2x10AW	37.8	43.2
22	WB4201-PSD11x2	5569-2x11AW	42	47.4
24	WB4201-PSD12x2	5569-2x12AW	46.2	51.6

2	Pin	Tin Plated Brass	N						
1	Housing	PA9T (UL94V-0)	1						
No.	Item/Material No.	Material	QTY	Remark					
Unmarked Tolerance		 Yueqing Hegxing Electronics Co., Ltd							
X. ° ±3°	X. X° ±0.5°								
>0-3	>3-18	>18-50	>50-120	Unit	Scale	Design Unit	Size	Part No.	 
±0.12	±0.15	±0.3	±0.5	mm	—	Metric	A4		
Draw	Review	Approve	Material	Drawing No.	Part No.				
				Item	5569-2xNAW with flang				