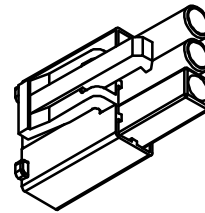
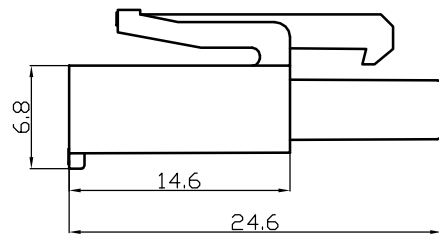
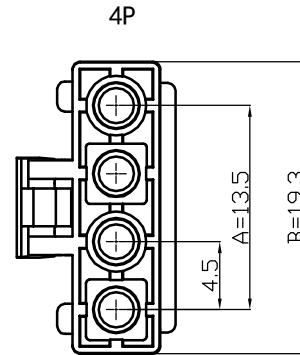
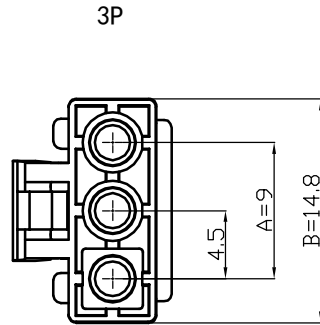
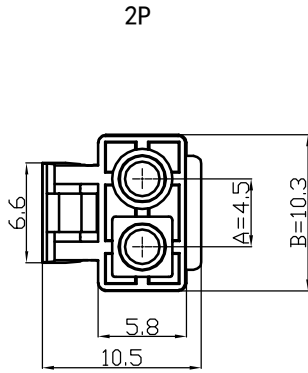





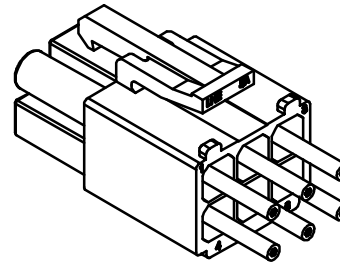
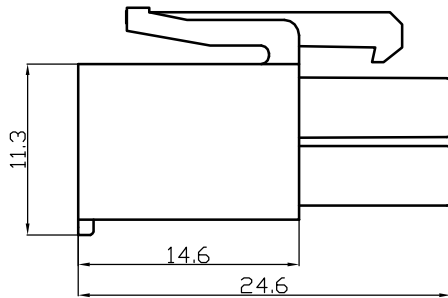
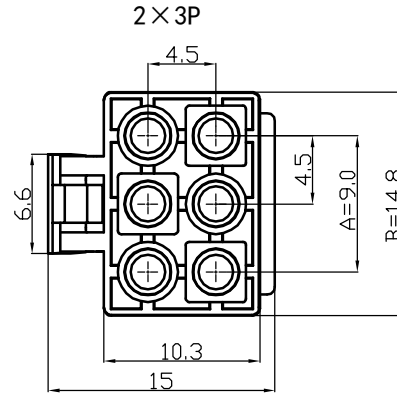
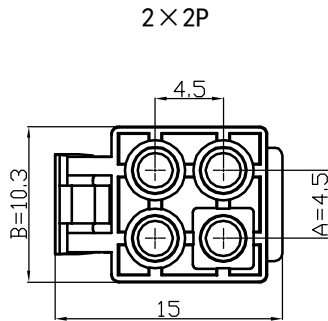
EL Type Housing



Poles	Part No.		Dimensions	
			A	B
2	WW4501-H02	EL-2Y	4.5	10.3
3	WW4501-H03	EL-3Y	9	14.8
4	WW4501-H04	EL-4Y	13.5	19.3

1	Housing	PA66(UL94V-0/V-2)	1	White					
No.	Item/Material No.	Material	QTY	Remark					
Unmarked Tolerance		 Yueqing Hegxing Electronics Co., Ltd							
X. ° ±3° X. X° ±0.5°									
>0-3	>3-18	>18-50	>50-120	Unit	Scale	Design Unit	Size	Part No.	 
±0.12	±0.15	±0.3	±0.5	mm	—	Metric	A4		
Draw	Review	Approve	Material	Drawing No.			Part No.		
				Item	EL-NY				

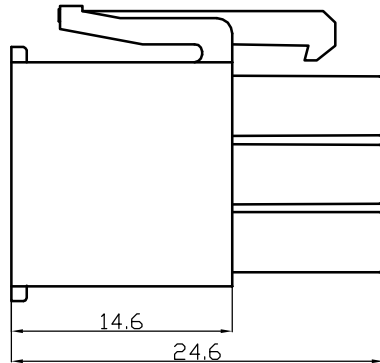
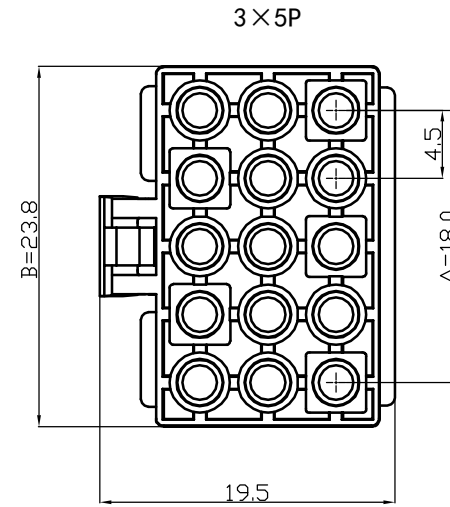
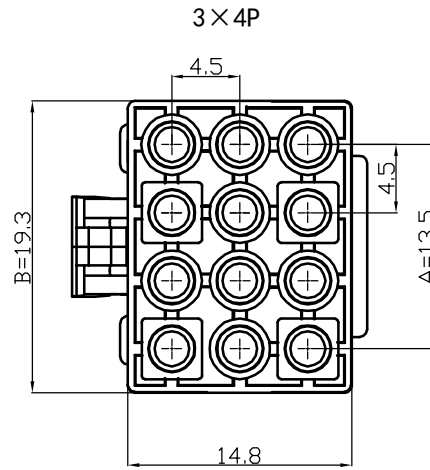
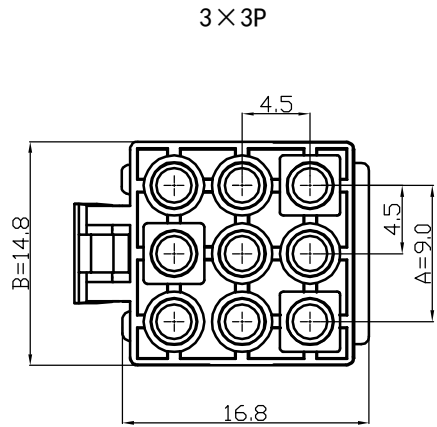
EL Type Housing




Poles	Part No.		Dimensions	
			A	B
4	WW4501-H02x2	EL-2x2Y	4.5	10.3
6	WW4501-H03x2	EL-2x3Y	9	14.8

1	Housing	PA66(UL94V-0/V-2)	1	White					
No.	Item/Material No.	Material	QTY	Remark					
Unmarked Tolerance		Yueqing Hegxing Electronics Co., Ltd							
X. ° ±3° X. X° ±0.5°									
>0-3	>3-18	>18-50	>50-120	Unit	Scale	Design Unit	Size	Part No.	
±0.12	±0.15	±0.3	±0.5	mm	—	Metric	A4		
Draw	Review	Approve	Material	Drawing No.			Part No.		
				Item	EL-2xNY				

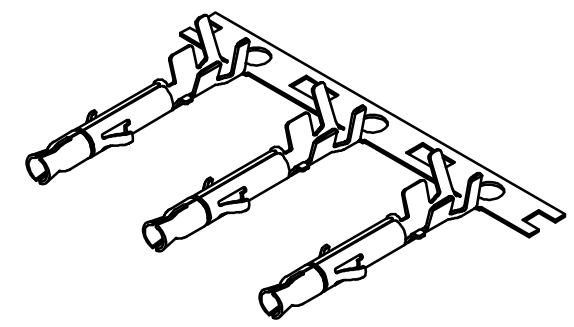
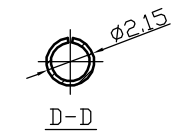
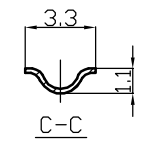
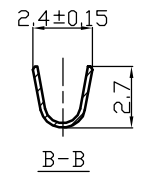
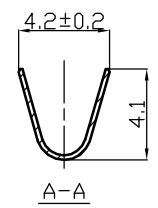
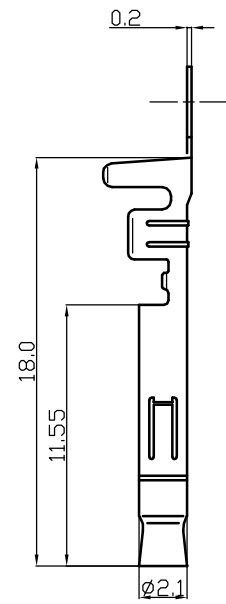
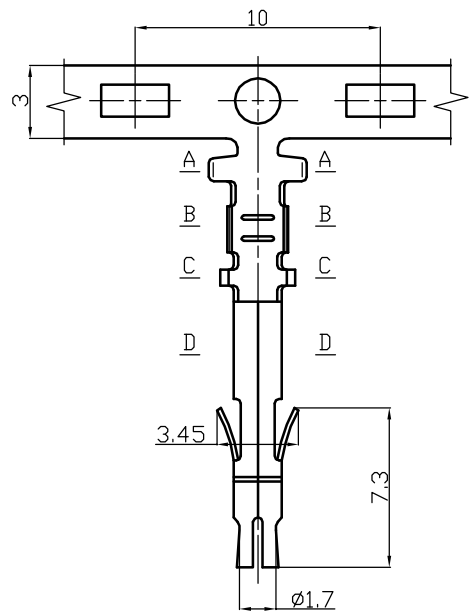
EL Type Housing




Poles	Part No.		Dimensions	
			A	B
9	WW4501-H03x3	EL-3x3Y	9	14.8
12	WW4501-H04x3	EL-3x4Y	13.5	19.3
15	WW4501-H05x3	EL-3x5Y	18	23.8

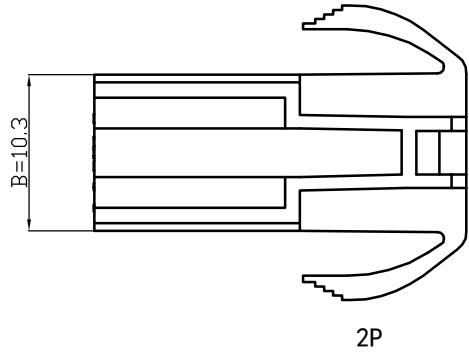
1	Housing	PA66(UL94V-0/V-2)	1	White
No.	Item/Material No.	Material	QTY	Remark
Unmarked Tolerance		 Yueqing Hegxing Electronics Co., Ltd		
X. ° ±3° X. X° ±0.5°				
>0-3	>3-18	>18-50	>50-120	Unit
±0.12	±0.15	±0.3	±0.5	mm
Draw	Review	Approve	Material	Scale
			Drawing No.	Design Unit
			Item	Size
				Part No.
				Part No.
				EL-3xNY

EL Type Terminal

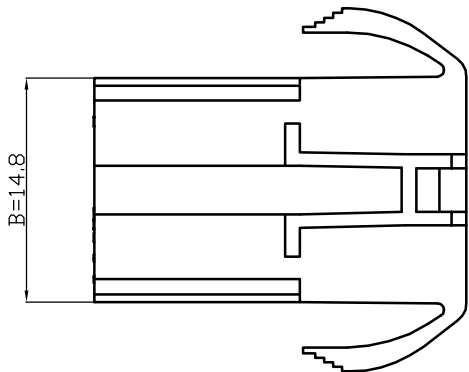
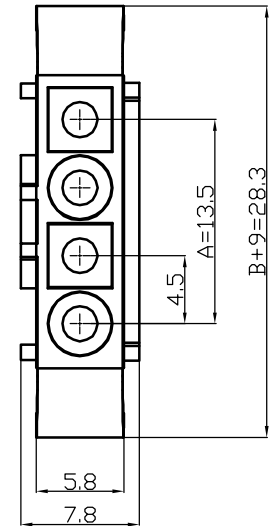
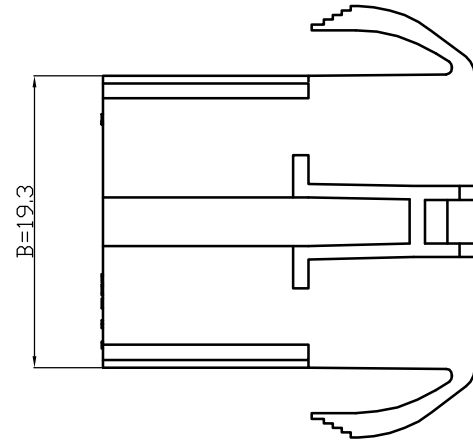
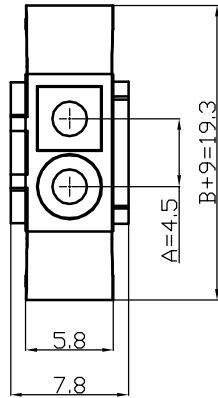


1	Terminal	Phospher Bronze	1	
No.	Item/Material No.	Material	QTY	Remark
Unmarked Tolerance		 Yueqing Hegxing Electronics Co., Ltd		
X. ° ±3° X. X° ±0.5°				
>0-3	>3-18	>18-50	>50-120	
±0.12	±0.15	±0.3	±0.5	
Unit	Scale	Design Unit	Size	Part No.
mm	—	Metric	A4	
Draw	Review	Approve	Material	Drawing No.
				Part No.
			Item	EL-YT11

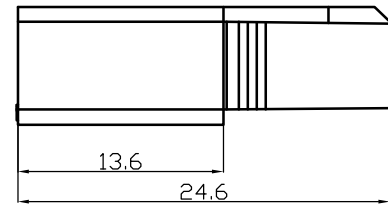
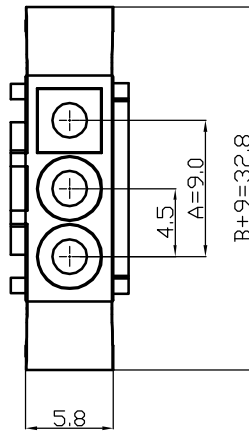
EL Type Housing



2P


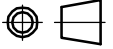


3P



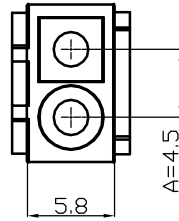
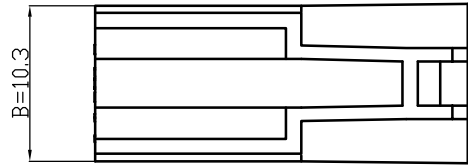
4P

Poles	Part No.		Dimensions	
			A	B
2	WW4502-H02	EL-2A	4.5	10.3
3	WW4502-H03	EL-3A	9	14.8
4	WW4502-H04	EL-4A	13.5	19.3

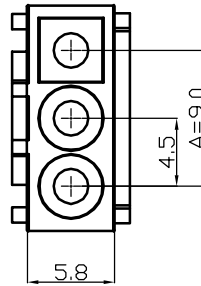
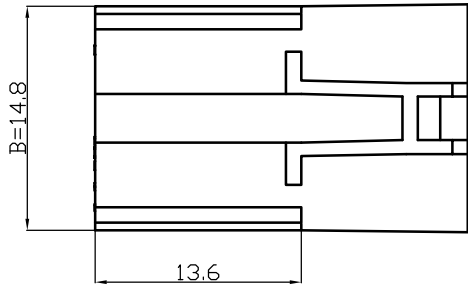
1	Housing	PA66(UL94V-0/V-2)	1	White					
No.	Item/Material No.	Material	QTY	Remark					
Unmarked Tolerance		 Yueqing Hegxing Electronics Co., Ltd							
X. ° ±3° X. X° ±0.5°									
>0-3	>3-18	>18-50	>50-120	Unit	Scale	Design Unit	Size	Part No.	
±0.12	±0.15	±0.3	±0.5	mm	—	Metric	A4		
Draw	Review	Approve	Material	Drawing No.			Part No.		
				Item	EL-NA				

EL Type Housing

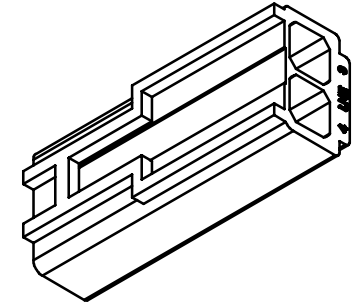
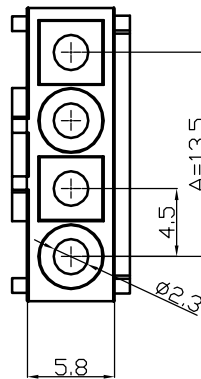
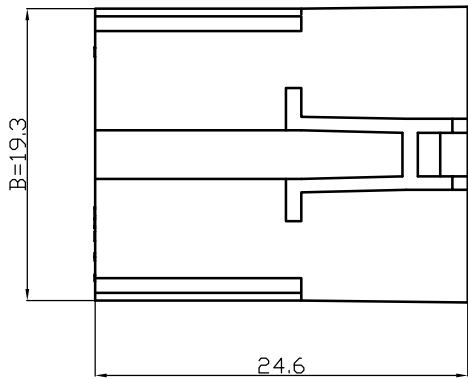
2P






3P



4P

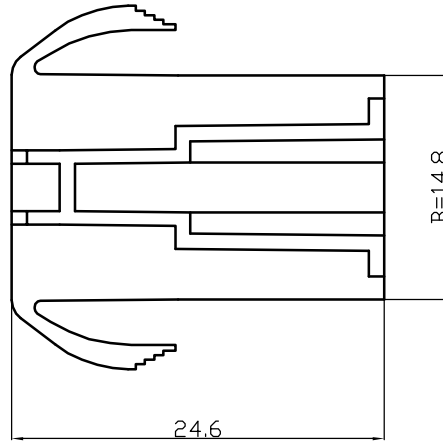
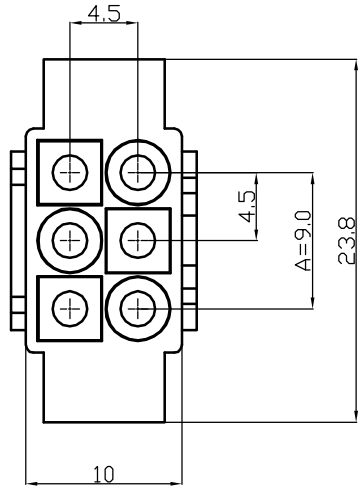


Poles	Part No.		Dimensions	
	A	B	A	B
2	WW4502-HB02	EL-2AF	4.5	10.3
3	WW4502-HB03	EL-3AF	9	14.8
4	WW4502-HB04	EL-4AF	13.5	19.3

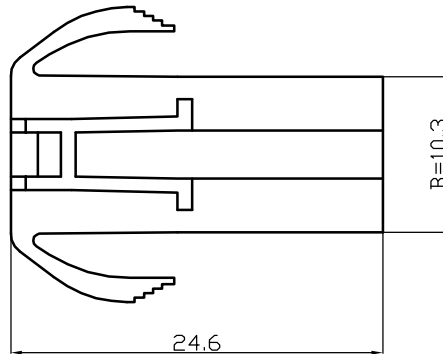
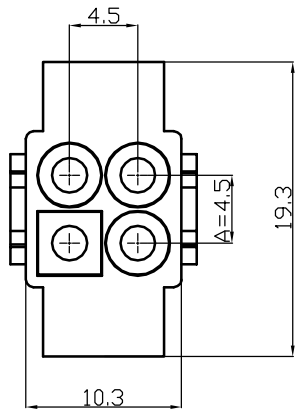
1	Housing	PA66(UL94V-0/V-2)	1	White					
No.	Item/Material No.	Material	QTY	Remark					
Unmarked Tolerance		 Yueqing Hegxing Electronics Co., Ltd							
X. ° ±3° X. X° ±0.5°									
>0-3	>3-18	>18-50	>50-120	Unit	Scale	Design Unit	Size	Part No.	 
±0.12	±0.15	±0.3	±0.5	mm	—	Metric	A4		
Draw	Review	Approve	Material	Drawing No.	Part No.				
				Item	EL-NAF				

EL Type Housing




2 × 3P



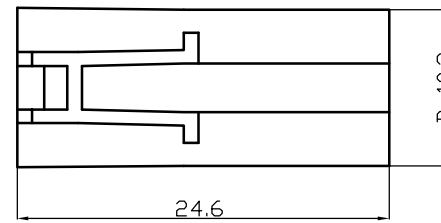
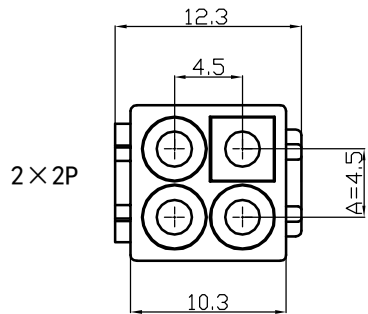
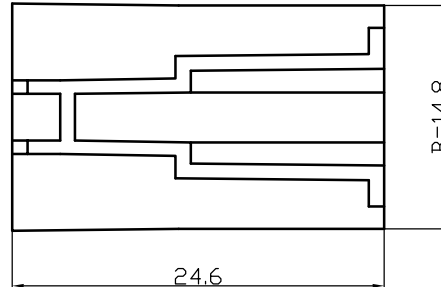
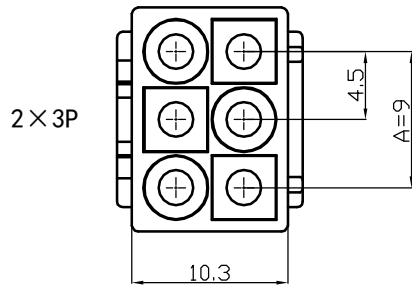
2 × 2P






Poles	Part No.		Dimensions	
			A	B
4	WW4502-H02x2	EL-2x2A	4.5	10.3
6	WW4502-H03x2	EL-2x3A	9	14.8

1	Housing	PA66(UL94V-0/V-2)	1	White					
No.	Item/Material No.	Material	QTY	Remark					
Unmarked Tolerance		 Yueqing Hegxing Electronics Co., Ltd							
X. ° ±3° X. X° ±0.5°									
>0-3	>3-18	>18-50	>50-120	Unit	Scale	Design Unit	Size	Part No.	 
±0.12	±0.15	±0.3	±0.5	mm	—	Metric	A4		
Draw	Review	Approve	Material	Drawing No.	Part No.				
				Item	EL-2x2A				

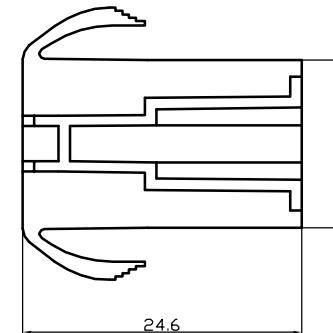
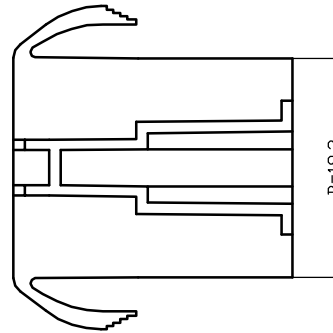
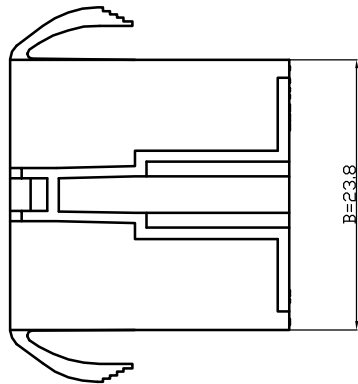
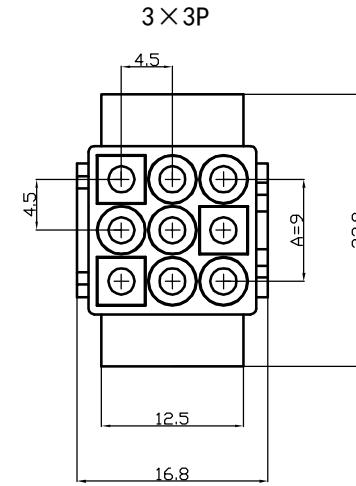
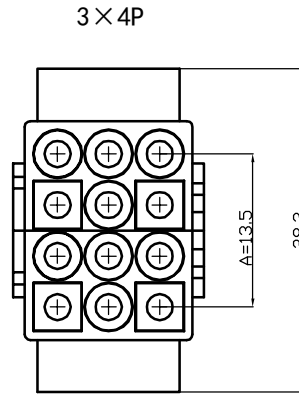
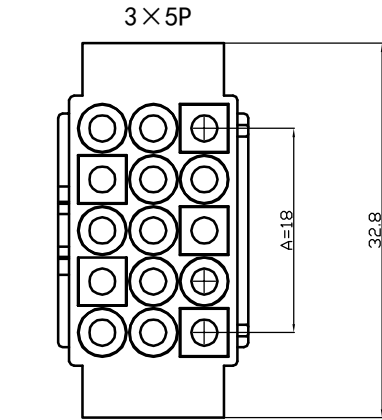
EL Type Housing






Poles	Part No.		Dimensions	
			A	B
4	WW4502-HB02x2	EL-2x2AF	4.5	10.3
6	WW4502-HB03x2	EL-2x3AF	9	14.8

1	Housing	PA66(UL94V-0/V-2)	1	White					
No.	Item/Material No.	Material	QTY	Remark					
Unmarked Tolerance		 Yueqing Hegxing Electronics Co., Ltd							
X. ° ±3° X. X ° ±0.5°									
>0-3	>3-18	>18-50	>50-120	Unit	Scale	Design Unit	Size	Part No.	 
±0.12	±0.15	±0.3	±0.5	mm	—	Metric	A4		
Draw	Review	Approve	Material	Drawing No.	Part No.				
			Item	EL-2x2AF					

EL Type Housing

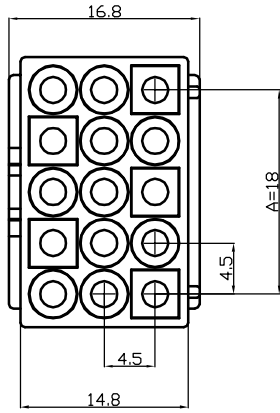


Poles	Part No.		Dimensions	
			A	B
9	WW4502-H03x3	EL-3x3A	9	14.8
12	WW4502-H04x3	EL-3x4A	13.5	19.3
15	WW4502-H05x3	EL-3x5A	18	23.8

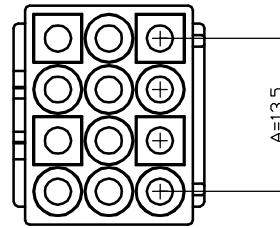
1	Housing	PA66(UL94V-0/V-2)	1	White					
No.	Item/Material No.	Material	QTY	Remark					
Unmarked Tolerance		 Yueqing Hegxing Electronics Co., Ltd							
X. ° ±3° X. X° ±0.5°									
>0-3	>3-18	>18-50	>50-120	Unit	Scale	Design Unit	Size	Part No.	 
±0.12	±0.15	±0.3	±0.5	mm	—	Metric	A4		
Draw	Review	Approve	Material	Drawing No.	Part No.				
				Item	EL-3xNA				

EL Type Housing

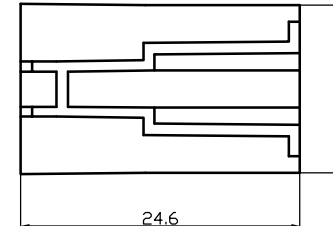
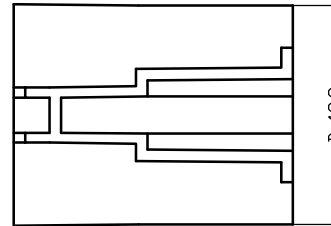
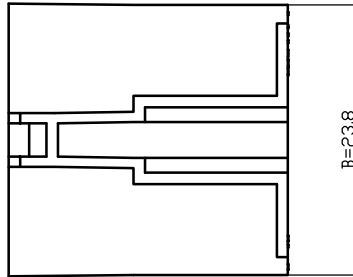
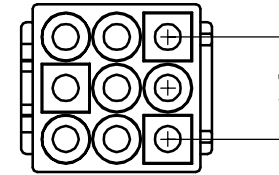
3 × 5P






3 × 4P



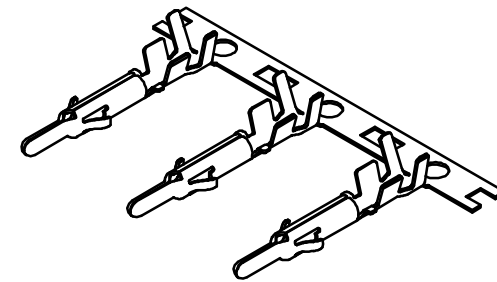
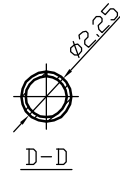
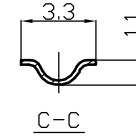
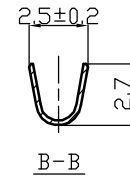
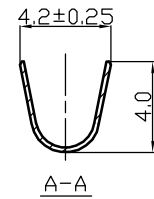
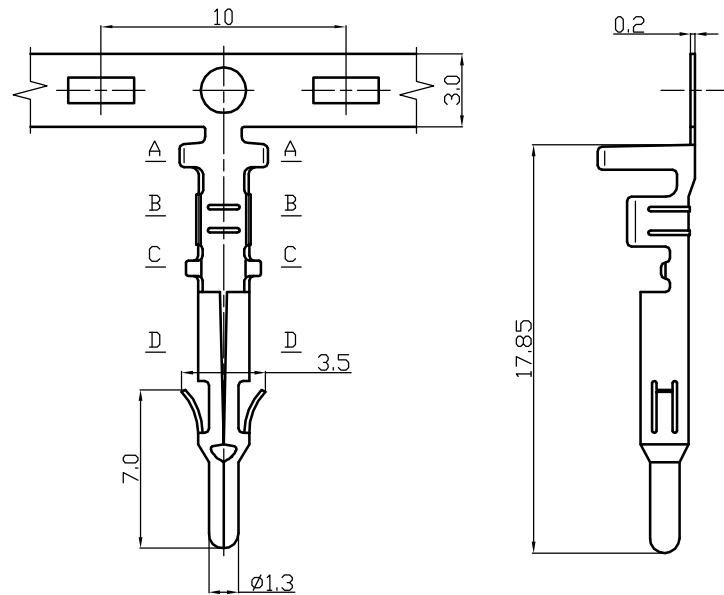
3 × 3P




Poles	Part No.		Dimensions	
			A	B
9	WW4502-HB03x3	EL-3x3AF	9	14.8
12	WW4502-HB04x3	EL-3x4AF	13.5	19.3
15	WW4502-HB05x3	EL-3x5AF	18	23.8

1	Housing	PA66(UL94V-0/V-2)	1	White					
No.	Item/Material No.	Material	QTY	Remark					
Unmarked Tolerance		 Yueqing Hegxing Electronics Co., Ltd							
X. ° ±3° X. X° ±0.5°									
>0-3	>3-18	>18-50	>50-120	Unit	Scale	Design Unit	Size	Part No.	 
±0.12	±0.15	±0.3	±0.5	mm	—	Metric	A4		
Draw	Review	Approve	Material	Drawing No.	Part No.				
				Item	EL-3xNAF				

EL Type Terminal



1	Terminal	Phospher Bronze	1	
No.	Item/Material No.	Material	QTY	Remark
Unmarked Tolerance		 Yueqing Hegxing Electronics Co., Ltd		
X. ° ±3° X. X. ° ±0.5°				
>0-3	>3-18	>18-50	>50-120	Unit
±0.12	±0.15	±0.3	±0.5	mm
Draw	Review	Approve	Material	Scale
			Drawing No.	Design Unit
			Item	Size
				Part No.
				Part No.
				EL-AT11