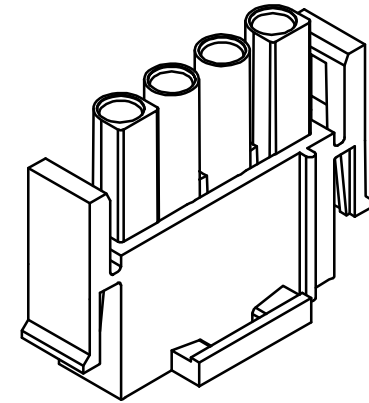
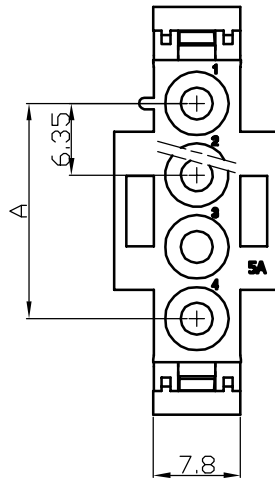
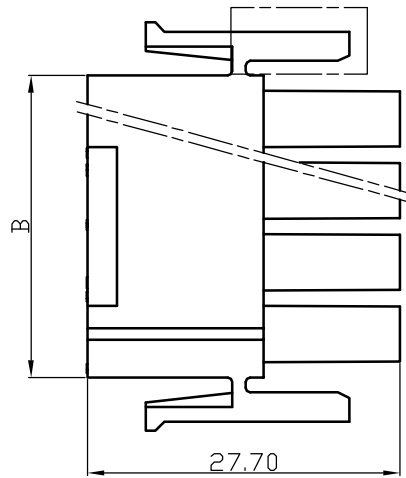
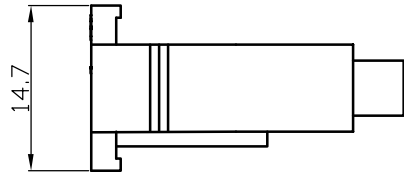

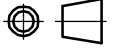


63080 Type Housing



Poles	Part No.		Dimensions	
			A	B
2	WW6351-H02	63080-2Y	6.35	14
3	WW6351-H03	63080-3Y	12.7	20.35
4	WW6351-H04	63080-4Y	19.05	26.7
5	WW6351-H05	63080-5Y	25.4	33.05

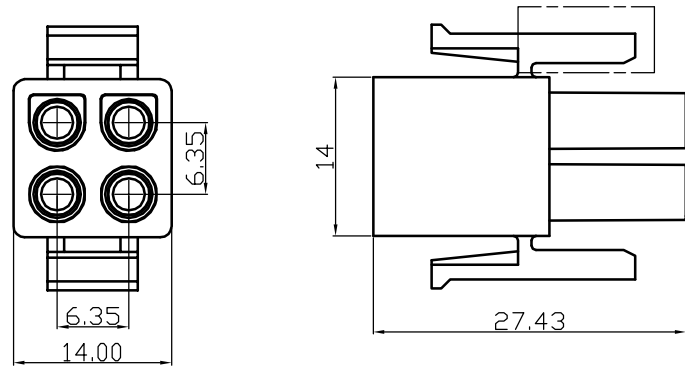
1	Housing	PA66(UL94V-0/V-2)	1	White					
No.	Item/Material No.	Material	QTY	Remark					
Unmarked Tolerance		 Yueqing Hegxing Electronics Co., Ltd							
X. ° ±3° X. X° ±0.5°									
>0-3	>3-18	>18-50	>50-120	Unit	Scale	Design Unit	Size	Part No.	
±0.12	±0.15	±0.3	±0.5	mm	—	Metric	A4		
Draw	Review	Approve	Material	Drawing No.	Part No.				
				Item	63080-NY				




15 14 13 12 11 10 9 8 7 6 5 4 3 2 1

63080 Type Housing

M
L
K
J
H
G
F
E
D
C
B
A

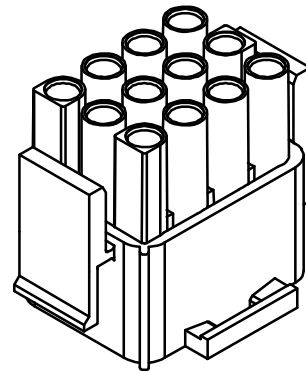
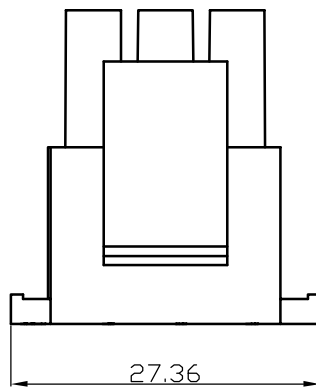
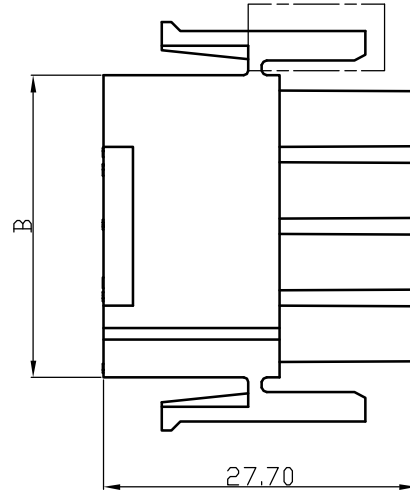
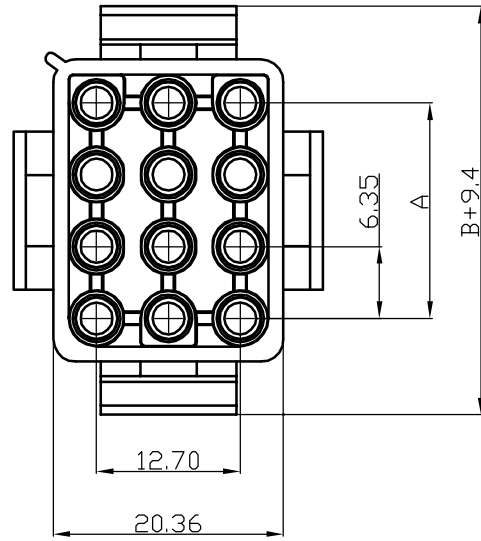
M
L
K
J
H
G
F
E
D
C
B
A






1	Housing	PA66(UL94V-0/V-2)	1	White					
No.	Item/Material No.	Material	QTY	Remark					
Unmarked Tolerance		 Yueqing Hegxing Electronics Co., Ltd							
X. ° ±3° X. X° ±0.5°									
>0-3	>3-18	>18-50	>50-120	Unit	Scale	Design Unit	Size	Part No.	 
±0.12	±0.15	±0.3	±0.5	mm	—	Metric	A4		
Draw	Review	Approve	Material	Drawing No.	Part No.				
				Item	63080-2x2Y (96)				

15 14 13 12 11 10 9 8 7 6 5 4 3 2 1

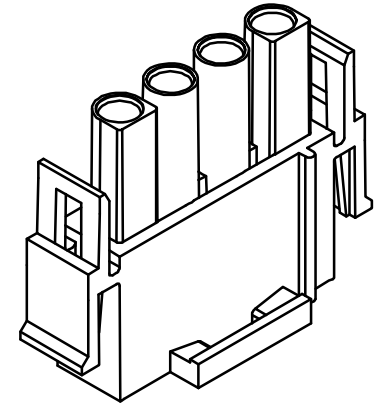
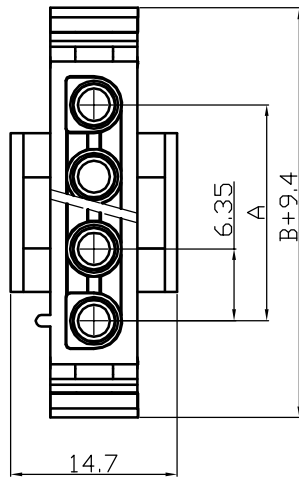
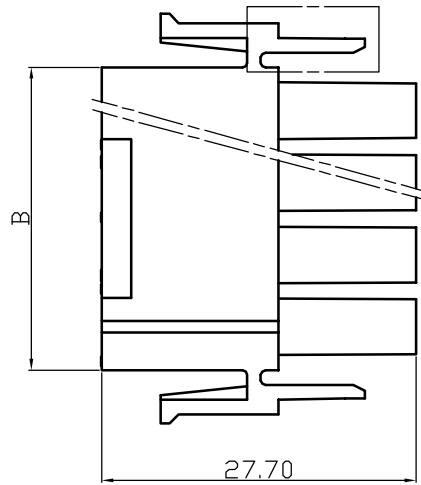
63080 Type Housing






Poles	Part No.		Dimensions	
	A	B	A	B
6	WW6351-H02x3	63080-3x2Y	6.35	14
9	WW6351-H03x3	63080-3x3Y	12.7	20.35
12	WW6351-H04x3	63080-3x4Y	19.05	26.7
15	WW6351-H05x3	63080-3x5Y	25.4	33.05

1	Housing	PA66(UL94V-0/V-2)	1	White					
No.	Item/Material No.	Material	QTY	Remark					
Unmarked Tolerance		 Yueqing Hegxing Electronics Co., Ltd							
X. ° ±3° X. X° ±0.5°									
>0-3	>3-18	>18-50	>50-120	Unit	Scale	Design Unit	Size	Part No.	 
±0.12	±0.15	±0.3	±0.5	mm	—	Metric	A4		
Draw	Review	Approve	Material	Drawing No.	Part No.				
				Item	63080-3xNY				

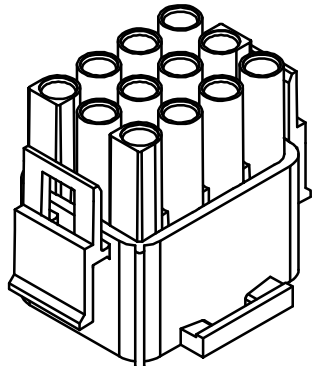
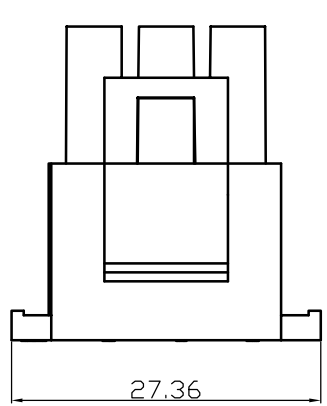
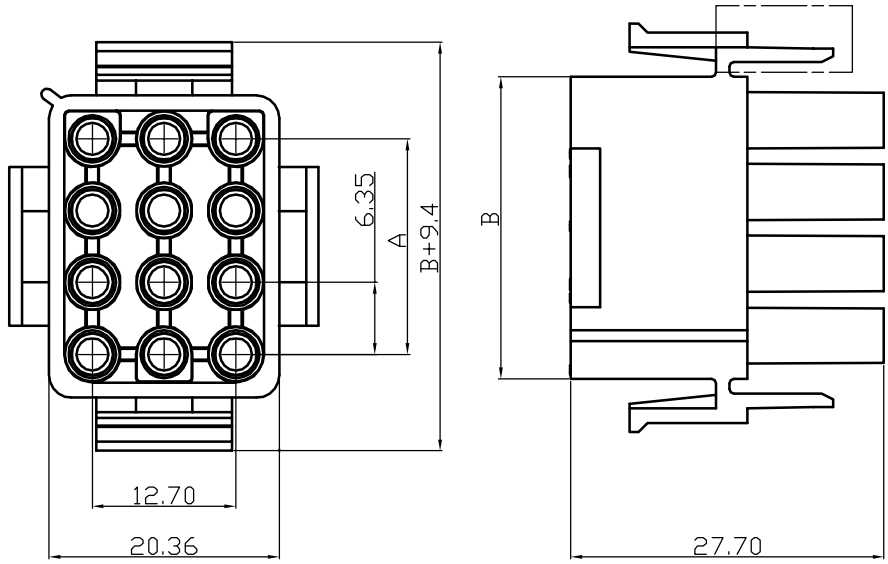
63080 Type Housing



Poles	Part No.		Dimensions	
			A	B
2	WW6351-HB02	63080-2YE	6.35	14
3	WW6351-HB03	63080-3YE	12.7	20.35
4	WW6351-HB04	63080-4YE	19.05	26.7
5	WW6351-HB05	63080-5YE	25.4	33.05

1	Housing	PA66(UL94V-0/V-2)	1	White					
No.	Item/Material No.	Material	QTY	Remark					
Unmarked Tolerance		 Yueqing Hegxing Electronics Co., Ltd							
X. ° ±3° X. X° ±0.5°									
>0-3	>3-18	>18-50	>50-120	Unit	Scale	Design Unit	Size	Part No.	 
±0.12	±0.15	±0.3	±0.5	mm	—	Metric	A4		
Draw	Review	Approve	Material	Drawing No.			Part No.		
				Item	63080-NYE				

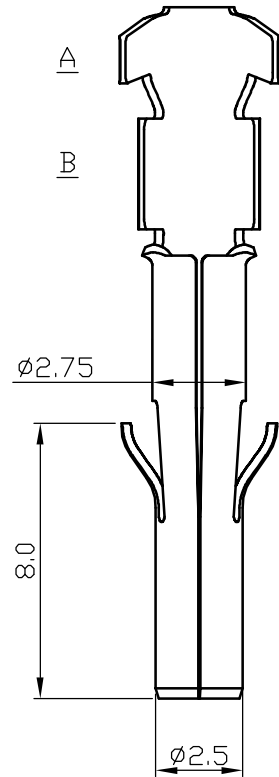
63080 Type Housing



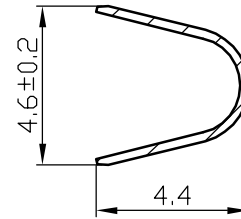
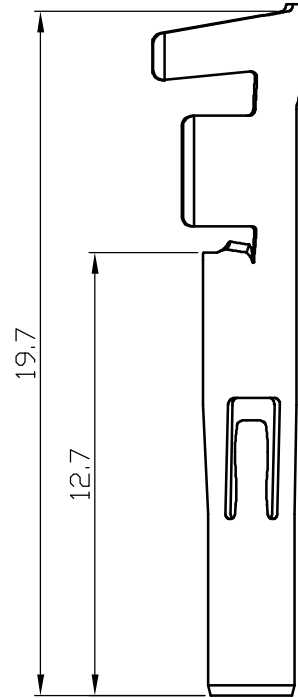
Poles	Part No.		Dimensions	
			A	B
6	WW6351-HB02x3	63080-3x2YE	6.35	14
9	WW6351-HB03x3	63080-3x3YE	12.7	20.35
12	WW6351-HB04x3	63080-3x4YE	19.05	26.7
15	WW6351-HB05x3	63080-3x5YE	25.4	33.05

1	Housing	PA66(UL94V-0/V-2)	1	White					
No.	Item/Material No.	Material	QTY	Remark					
Unmarked Tolerance		Yueqing Hegxing Electronics Co., Ltd							
X. ° ±3° X. X ° ±0.5°									
>0-3	>3-18	>18-50	>50-120	Unit	Scale	Design Unit	Size	Part No.	
±0.12	±0.15	±0.3	±0.5	mm	—	Metric	A4		
Draw	Review	Approve	Material	Drawing No.	Part No.				
				Item	63080-3xNYE				

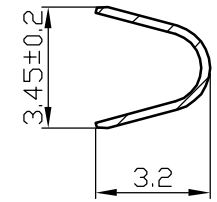
63080 Type Terminal



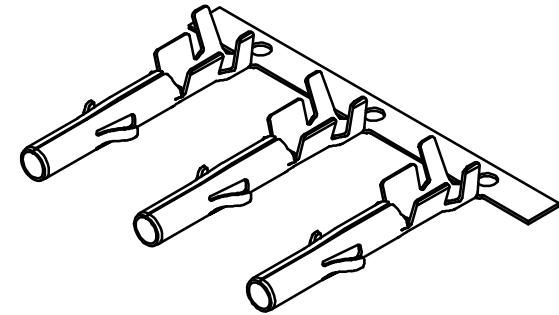
A
B




A-A

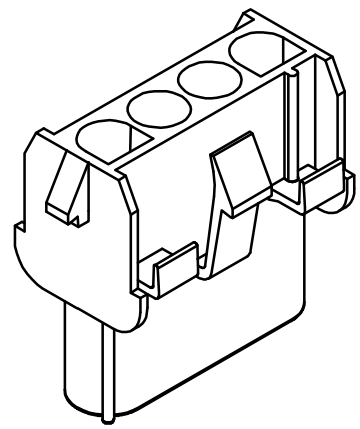
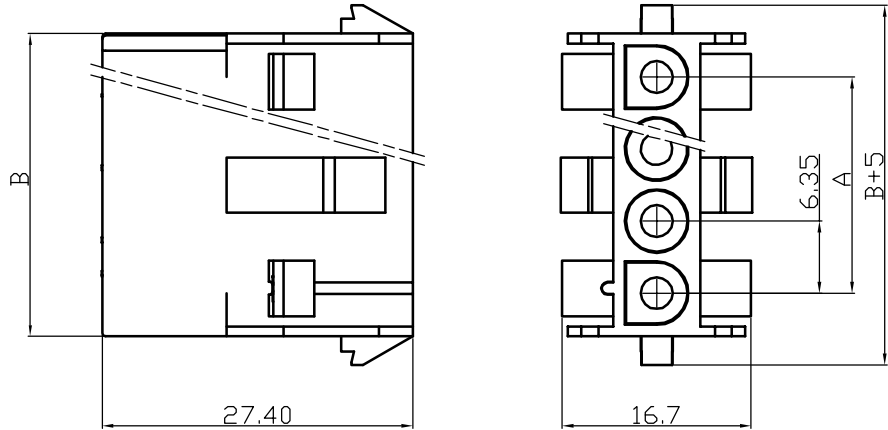


B-B






1	Terminal	Phospher Bronze	1	
No.	Item/Material No.	Material	QTY	Remark
Unmarked Tolerance		 Yueqing Hegxing Electronics Co., Ltd		
X. ° ±3° X. X° ±0.5°				
>0-3	>3-18	>18-50	>50-120	
±0.12	±0.15	±0.3	±0.5	
Unit	Scale	Design Unit	Size	Part No.
mm	—	Metric	A4	
Draw	Review	Approve	Material	Drawing No.
			Item	63080-YT

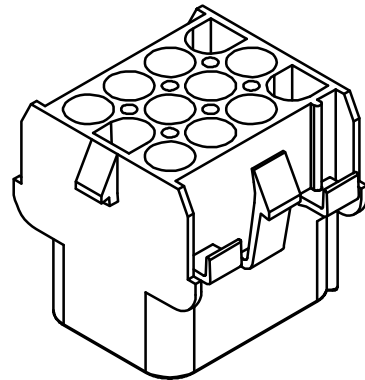
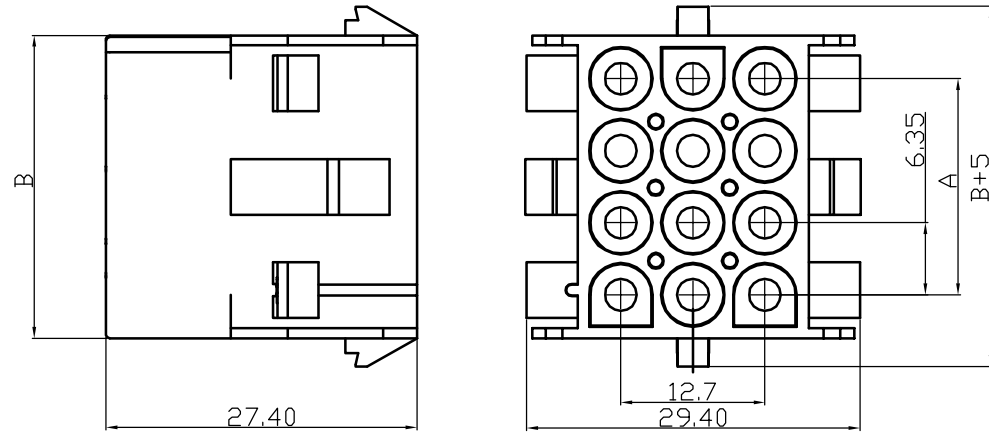
63080 Type Housing






Poles	Part No.		Dimensions	
			A	B
2	WW6352-H02	63080-2A	6.35	14
3	WW6352-H03	63080-3A	12.7	20.35
4	WW6352-H04	63080-4A	19.05	26.7
5	WW6352-H05	63080-5A	25.4	33.05

1	Housing	PA66(UL94V-0/V-2)	1	White					
No.	Item/Material No.	Material	QTY	Remark					
Unmarked Tolerance		 Yueqing Hegxing Electronics Co., Ltd							
X. ° ±3° X. X° ±0.5°									
>0-3	>3-18	>18-50	>50-120	Unit	Scale	Design Unit	Size	Part No.	 
±0.12	±0.15	±0.3	±0.5	mm	—	Metric	A4		
Draw	Review	Approve	Material	Drawing No.	Part No.				
				Item	63080-NA				

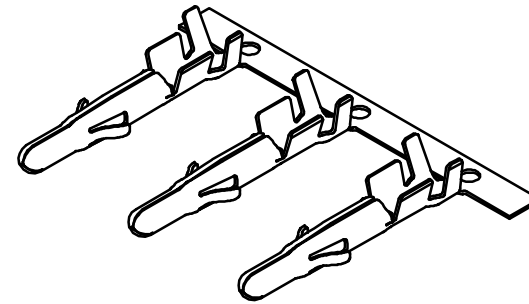
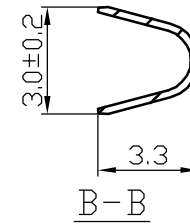
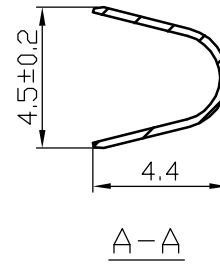
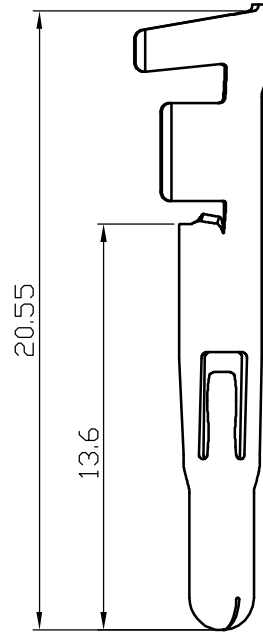
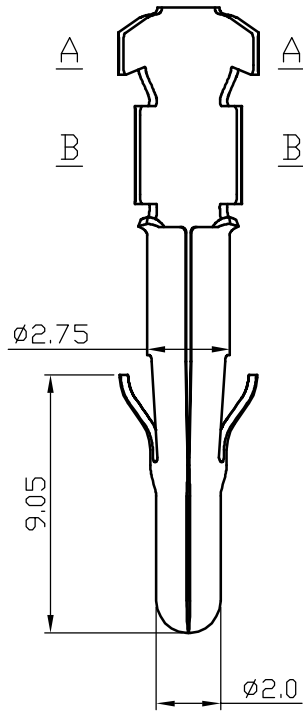
63080 Type Housing




Poles	Part No.		Dimensions	
			A	B
6	WW6352-H02x3	63080-3x2A	6.35	14
9	WW6352-H03x3	63080-3x3A	12.7	20.35
12	WW6352-H04x3	63080-3x4A	19.05	26.7
15	WW6352-H05x3	63080-3x5A	25.4	33.05

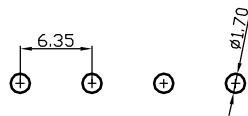
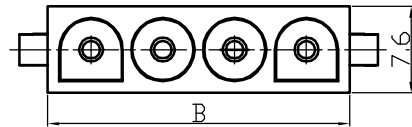
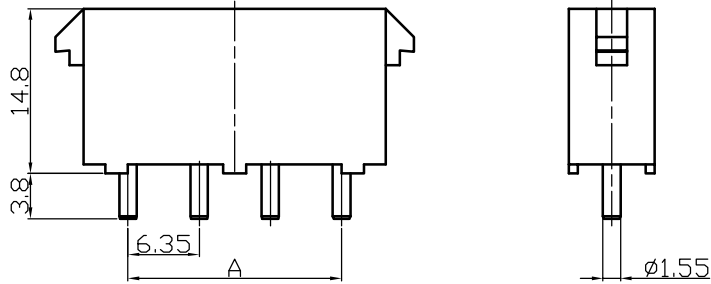
1	Housing	PA66(UL94V-0/V-2)	1	White					
No.	Item/Material No.	Material	QTY	Remark					
Unmarked Tolerance		 Yueqing Hegxing Electronics Co., Ltd							
X. ° ±3° X. X° ±0.5°									
>0-3	>3-18	>18-50	>50-120	Unit	Scale	Design Unit	Size	Part No.	 
±0.12	±0.15	±0.3	±0.5	mm	—	Metric	A4		
Draw	Review	Approve	Material	Drawing No.	Part No.				
				Item	63080-3xNA				

63080 Type Terminal






1	Terminal	Phosphor Bronze	1	
No.	Item/Material No.	Material	QTY	Remark
Unmarked Tolerance		 Yueqing Hegxing Electronics Co., Ltd		
X. ° ±3° X. X° ±0.5°				
>0-3	>3-18	>18-50	>50-120	
±0.12	±0.15	±0.3	±0.5	
Unit	Scale	Design Unit	Size	Part No.
mm	—	Metric	A4	
Draw	Review	Approve	Material	Drawing No.
				Part No.
			Item	63080-AT

63080 Type Wafer

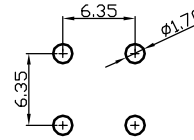
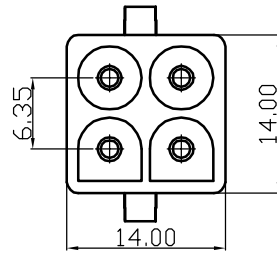
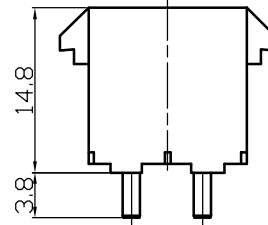
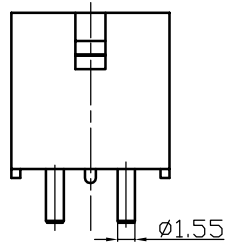


PCB Layout




Poles	Part No.		Dimensions	
			A	B
2	WW6351-PT02	63080-2A2	6.35	14
3	WW6351-PT03	63080-3A2	12.7	20.35
4	WW6351-PT04	63080-4A2	19.05	26.7
5	WW6351-PT05	63080-5A2	25.4	33.05

2	Pin	Tin Plated Brass	N						
1	Housing	PA9T (UL94V-0)	1						
No.	Item/Material No.	Material	QTY	Remark					
Unmarked Tolerance		 Yueqing Hegxing Electronics Co., Ltd							
X. ° ±3° X. X° ±0.5°									
>0-3	>3-18	>18-50	>50-120	Unit	Scale	Design Unit	Size	Part No.	 
±0.12	±0.15	±0.3	±0.5	mm	—	Metric	A4		
Draw	Review	Approve	Material	Drawing No.	Part No.				
			Item	63080-NA2-96					

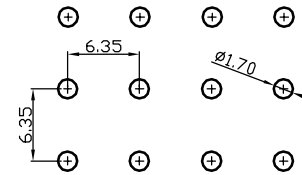
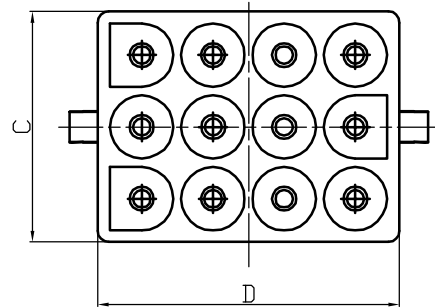
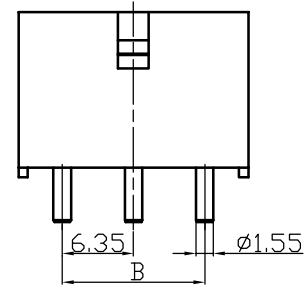
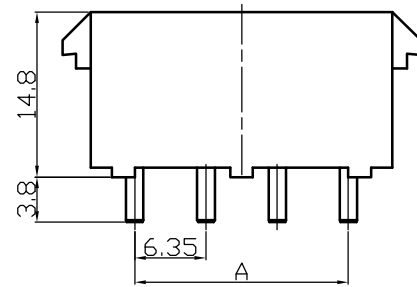
63080 Type Wafer



PCB Layout

2	Pin	Tin Plated Brass	N						
1	Housing	PA9T (UL94V-0)	1						
No.	Item/Material No.	Material	QTY	Remark					
Unmarked Tolerance		 Yueqing Hegxing Electronics Co., Ltd							
X. ° ±3° X. X° ±0.5°									
>0-3	>3-18	>18-50	>50-120	Unit	Scale	Design Unit	Size	Part No.	 
±0.12	±0.15	±0.3	±0.5	mm	—	Metric	A4		
Draw	Review	Approve	Material	Drawing No.			Part No.		
				Item	63080-2x2A2-96				

63080 Type Wafer

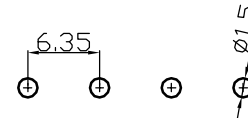
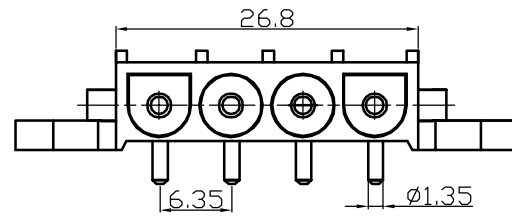
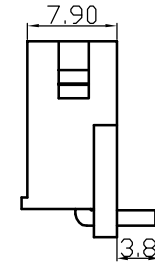
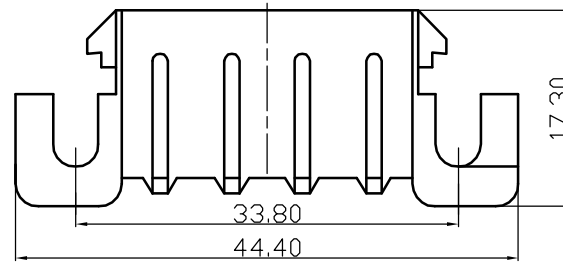


PCB Layout




Poles	Part No.		Dimensions			
			A	B	C	D
6	WW6351-PT02x3	63080-3x2A2	6.35	12.7	20.3	14
9	WW6351-PT03x3	63080-3x3A2	12.7	12.7	20.3	20.3
12	WW6351-PT04x3	63080-3x4A2	19.05	12.7	20.3	26.7
15	WW6351-PT05x3	63080-3x5A2	25.4	12.7	20.3	33

2	Pin	Tin Plated Brass	N						
1	Housing	PA9T (UL94V-0)	1						
No.	Item/Material No.	Material	QTY	Remark					
Unmarked Tolerance		Yueqing Hegxing Electronics Co., Ltd							
X. ° ±3° X. X ° ±0.5°									
>0-3	>3-18	>18-50	>50-120	Unit	Scale	Design Unit	Size	Part No.	
±0.12	±0.15	±0.3	±0.5	mm	—	Metric	A4		
Draw	Review	Approve	Material	Drawing No.	Part No.				
				Item	63080-3xNA2-96				

63080 Type Wafer



PCB Layout

2	Pin	Tin Plated Brass	4						
1	Housing	PA9T (UL94V-0)	1						
No.	Item/Material No.	Material	QTY	Remark					
Unmarked Tolerance		 Yueqing Hegxing Electronics Co., Ltd							
X. ° ±3° X. X° ±0.5°									
>0-3	>3-18	>18-50	>50-120	Unit	Scale	Design Unit	Size	Part No.	 
±0.12	±0.15	±0.3	±0.5	mm	—	Metric	A4		
Draw	Review	Approve	Material	Drawing No.	Part No.				
				Item	63080-4AWD-96				