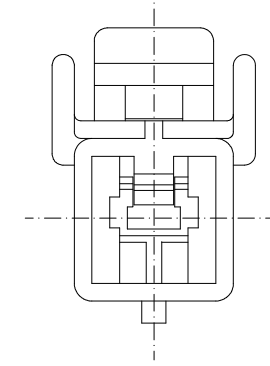
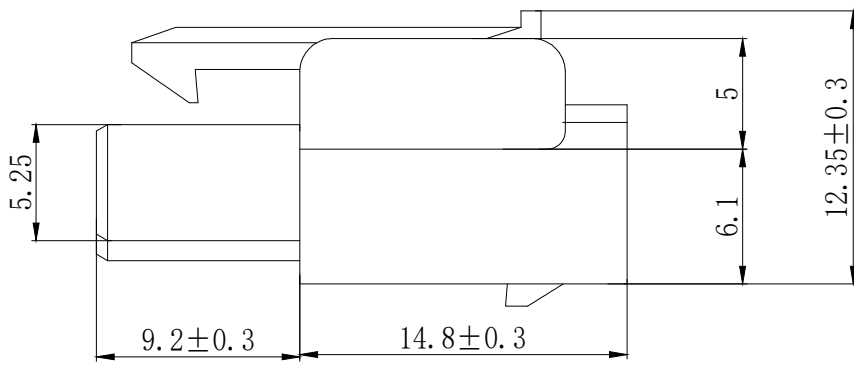
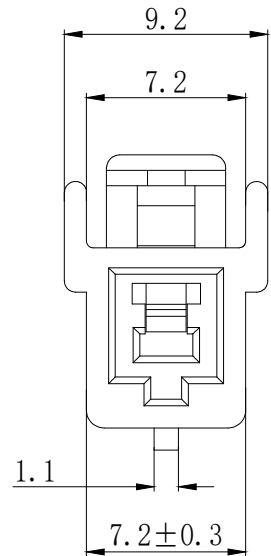
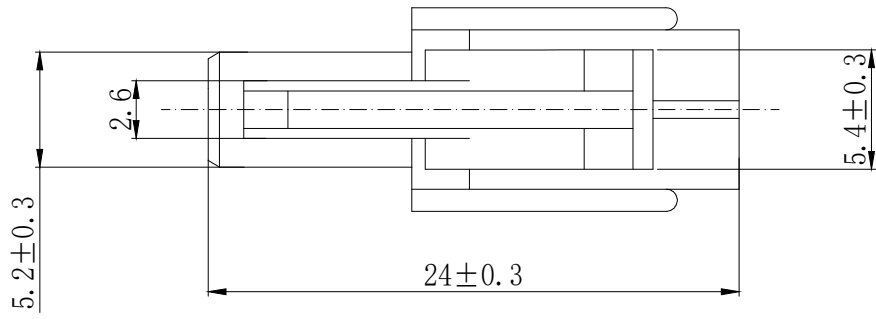


REVISIONS

P	LTR	DESCRIPTION	DATE	DWN	APVD



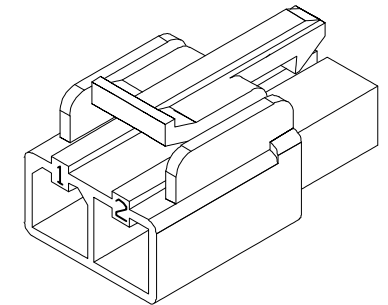
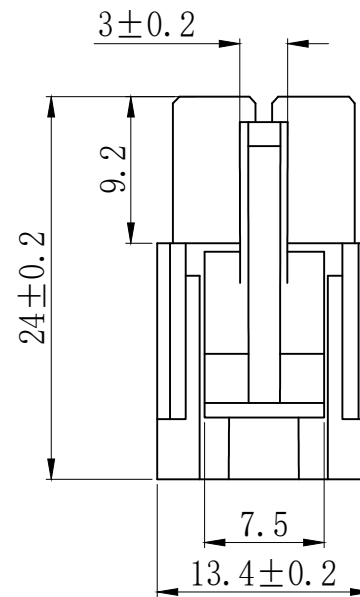
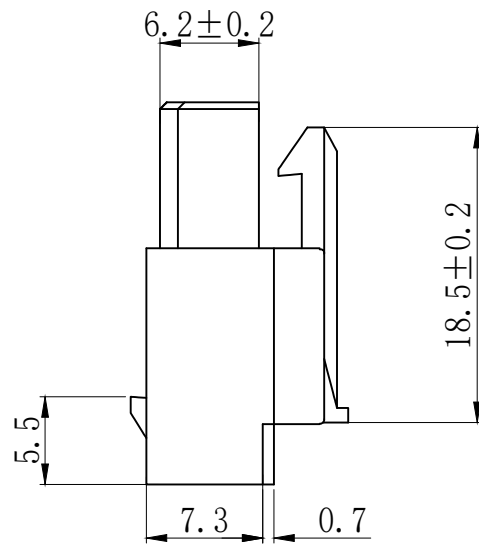
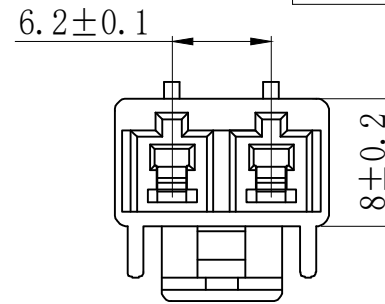
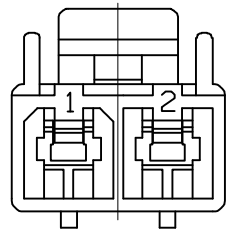
Specifications:

1. Materials: PBT UL94 V0
2. Colors: natural (white)
3. Applicable Terminal: 35746-0\*10

THIS DRAWING IS A CONTROLLED DOCUMENT.		Design 2018-02-08 WANLEFU	Yueqing Hegxing Electronic Co.,Ltd		
		Checked 2018-02-08 YUNJIAN LIN			
DIMENSIONS: mm		Approved 2018-02-08 WEIHUA LIN	NAME Connector		
TOLERANCES ACCORDING TO THE DRAWING SPECIFIED		PRODUCT SPEC			
		APPLICATION SPEC	SIZE A4	GAGE CODE	DRAWING NO 35151-0110
		WEIGHT	RESTRICTED TO		
CUSTOMER DRAWING			SCALE	SHEET 1 OF 1	REV

REVISIONS

P	LTR	DESCRIPTION	DATE	DWN	APVD



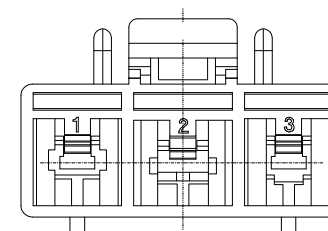
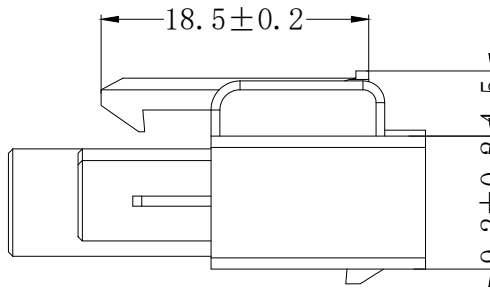
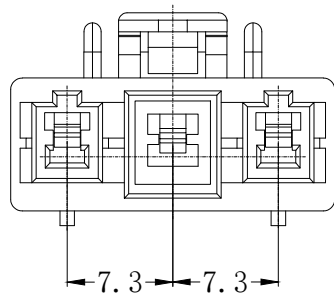
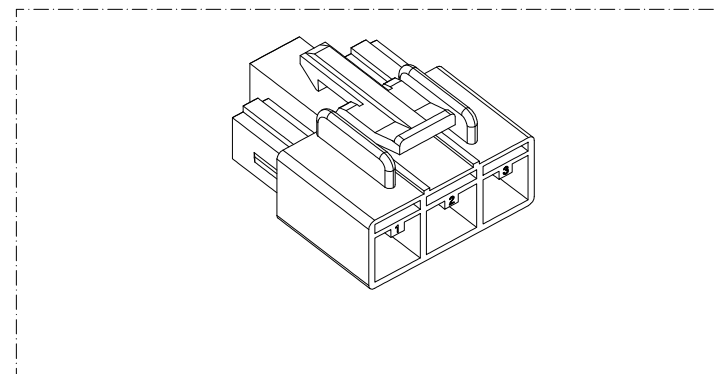
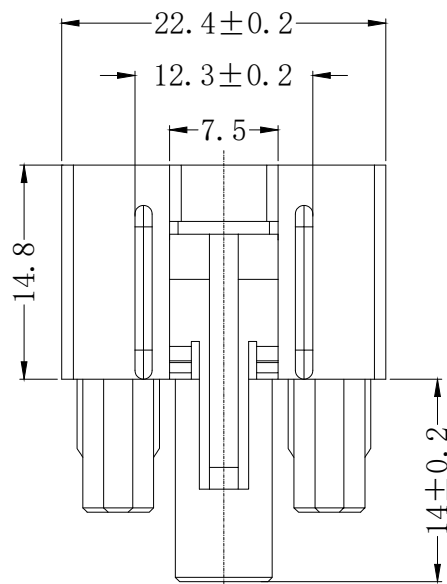
Specifications:

1. Materials: PA66 UL94 V0
2. Colors: natural (white)
3. Applicable Terminal: 35746-0210

THIS DRAWING IS A CONTROLLED DOCUMENT.		Design 2018-02-08 WANLEFU	Yueqing Hegxing Electronic Co.,Ltd		
		Checked 2018-02-08 YUNJIAN LIN			
DIMENSIONS: mm 		Approved 2018-02-08 WEIHUA LIN	NAME Connector		
		PRODUCT SPEC	APPLICATION SPEC	SIZE A4	GAGE CODE
		WEIGHT	RESTRICTED TO		
CUSTOMER DRAWING			SCALE	SHEET 1 OF 1	REV

REVISIONS

P	LTR	DESCRIPTION	DATE	DWN	APVD



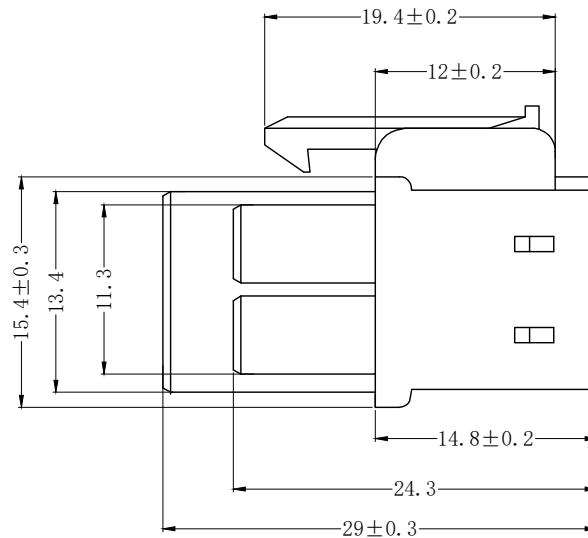
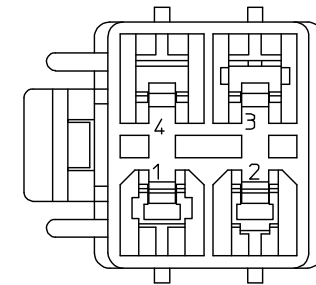
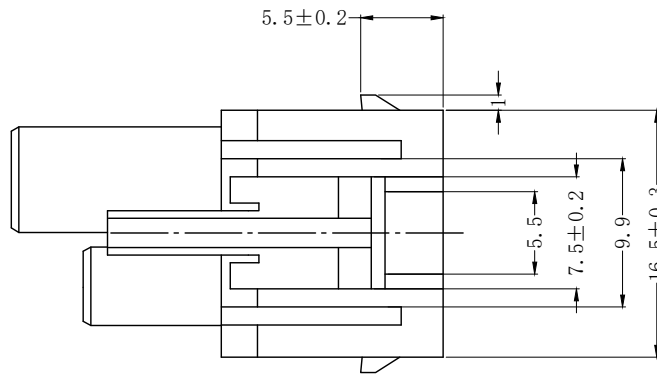
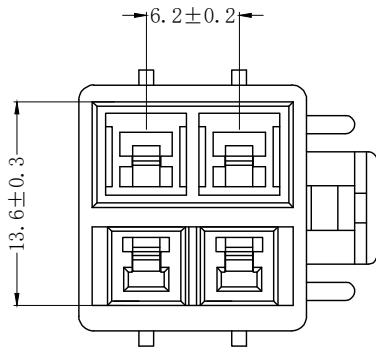
Specifications:

1. Materials: PA66 UL 94 V-0
2. Colors: natural, Red, yellow, Blue
3. Applicable Terminal: 1CKT: 35746-0\*10, 2CKT: 35745-0\*10, 3CKT: 35748-0\*10
4. Housing and 35150-031\* socket inserts cooperate: OK
5. Housing and 35150-039\* socket inserts cooperate: OK

THIS DRAWING IS A CONTROLLED DOCUMENT.		Design 2018-02-08 WANLEFU	Yueqing Hegxing Electronic Co., Ltd			
		Checked 2018-02-08 YUNJIAN LIN				
DIMENSIONS: mm 		Approved 2018-02-08 WEIHUA LIN	NAME  Connector			
		PRODUCT SPEC				
TOLERANCES ACCORDING TO THE DRAWING SPECIFIED		APPLICATION SPEC	SIZE	GAGE CODE	DRAWING NO	RESTRICTED TO
		WEIGHT	A4		35151-0310	
CUSTOMER DRAWING				SCALE	SHEET 1 OF 1	REV

REVISIONS

P	LTR	DESCRIPTION	DATE	DWN	APVD



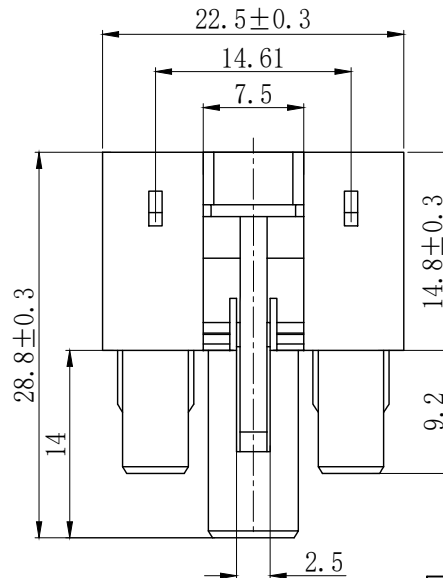
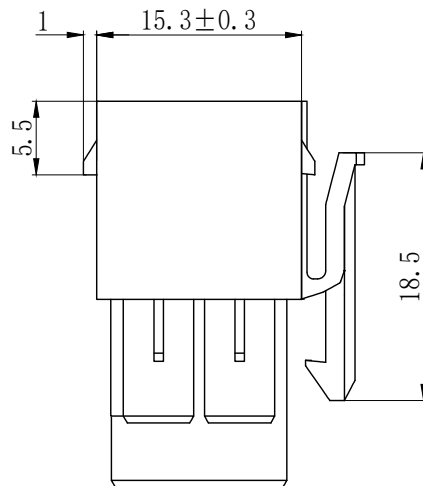
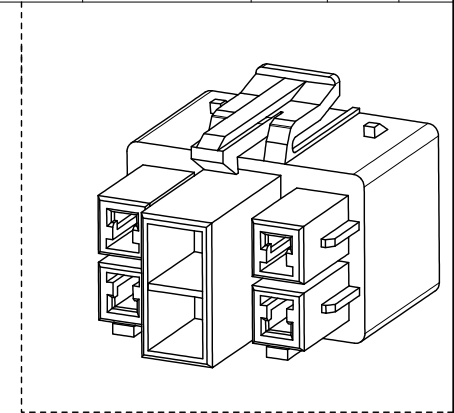
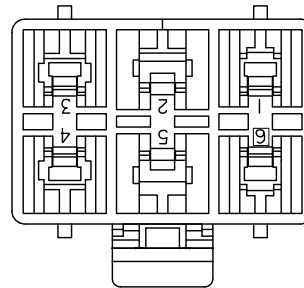
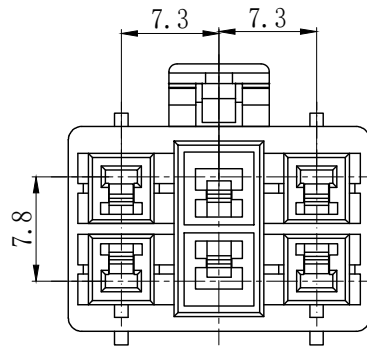
Specifications:

1. Materials: 35151-0419: PC/PET UL 94 V-0
2. Applicable Terminal: 1CKT: 35745-0\*10, 2CKT: 35747-0\*10  
3CKT: 35746-0\*10, 4CKT: 35748-0\*10
3. housing and 35151-041\* socket inserts cooperate: OK
4. housing and 35150-0290 inserts cooperate: OK

THIS DRAWING IS A CONTROLLED DOCUMENT.	DROWN 2007-12-08 ARONG PAN	Yueqing Hegxing Electronic Co.,ltd			
	Checked 2007-12-08 YUNJIAN LIN				
DIMENSIONS: mm	Aproved 2007-12-8 WEIHUA LIN	NAME <b>6.2 pitch connector 4RF</b>			
TOLERANCES ACCORDING TO THE DRAWING SPECIFIED	PRODUCT SPEC	SIZE	GAGE CODE	DRAWING NO	RESTRICTED TO
	APPLICATION SPEC	A4		35151-0410	
WEIGHT	CUSTOMER DRAWING				
UL-94 V0					

REVISIONS

P	LTR	DESCRIPTION	DATE	DWN	APVD



Specifications:

1. Materials: PPT UL94 V0
2. Colors: natural (white)
3. Applicable Terminal: 5556T

THIS DRAWING IS A CONTROLLED DOCUMENT.		Design	2018-02-08		Yueqing Hegxing Electronic Co., Ltd	
		Checked	2018-02-08			
DIMENSIONS: mm		Approved	2018-02-08		NAME <b>Connector</b>	
		Checked	2018-02-08			
TOLERANCES ACCORDING TO THE DRAWING SPECIFIED		PRODUCT SPEC		SIZE <b>A4</b>		
		APPLICATION SPEC				
		WEIGHT		DRAWING NO <b>35151-0610</b>		
		CUSTOMER DRAWING		RESTRICTED TO	SCALE	SHEET 1 OF 1