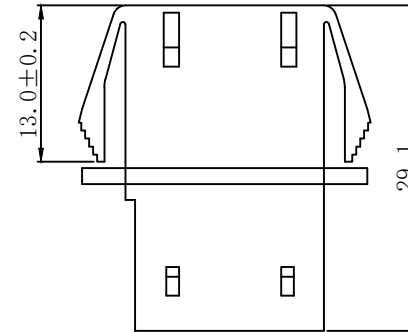
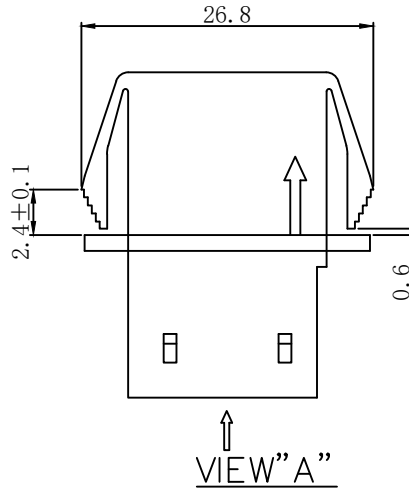
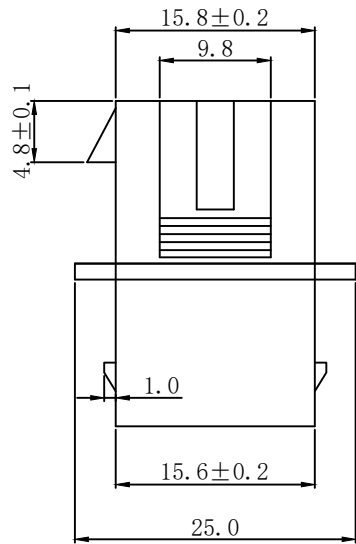
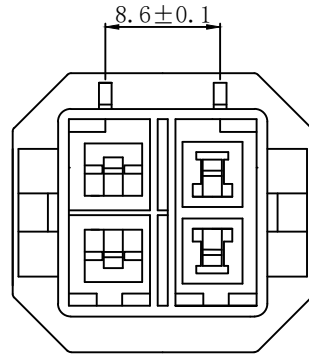
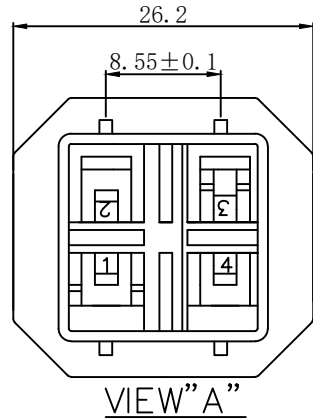


REVISIONS

P	LTR	DESCRIPTION	DATE	DWN	APVD



Specifications:

1. Materials: PC-PET UL 94 V0
2. Applicable Terminal: 1CKT: 35745-0\*10, 2CKT: 35747-0\*10  
3CKT: 35746-0\*10, 4CKT: 35748-0\*10
3. Housing: 35965-020\*, 35965-021\*
4. Housing: 35182-029\*

THIS DRAWING IS A CONTROLLED DOCUMENT.		Design 2018-02-08 WANLEFU	Yueqing Hegxing Electronic Co.,Ltd			
		Checked 2018-02-08 YUNJIAN LIN				
DIMENSIONS: mm	TOLERANCES ACCORDING TO THE DRAWING SPECIFIED	Aproved 2018-02-08 WEIHUA LIN	NAME <b>Connector</b>			
		PRODUCT SPEC	SIZE	GAGE CODE	DRAWING NO	RESTRICTED TO
		APPLICATION SPEC	<b>A4</b>		35180-0400	
		WEIGHT				
CUSTOMER DRAWING			SCALE	SHEET 1 OF 1	REV	