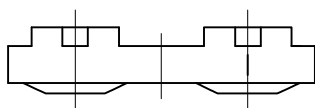
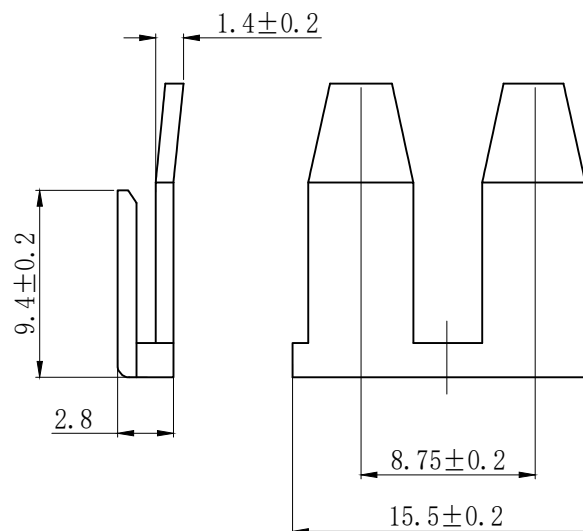
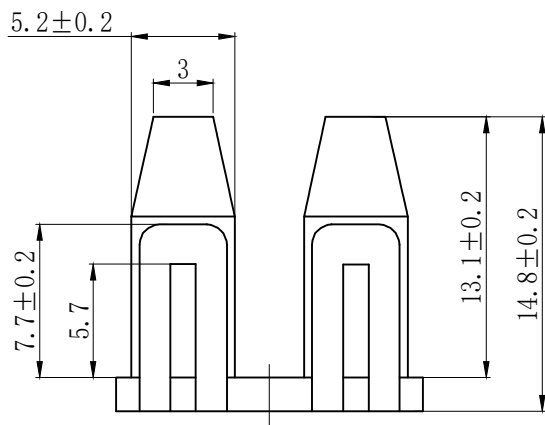
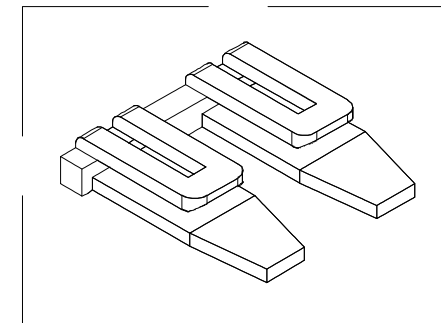
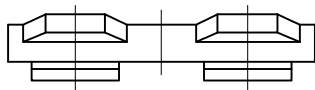


REVISIONS

P	LTR	DESCRIPTION	DATE	DWN	APVD



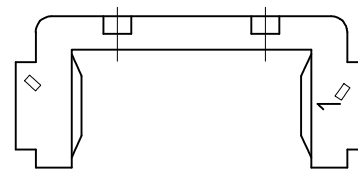
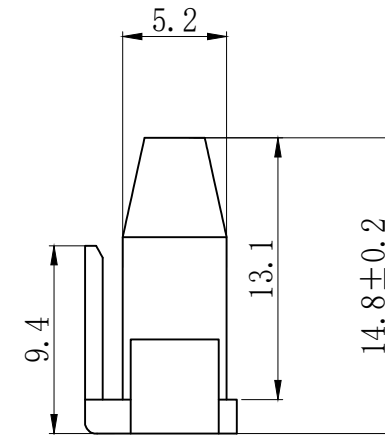
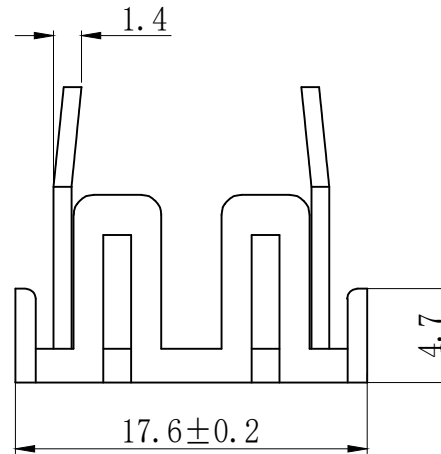
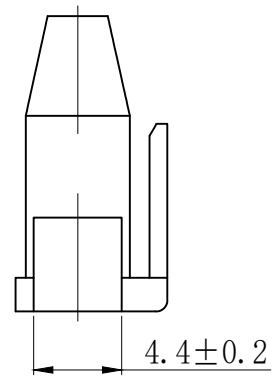
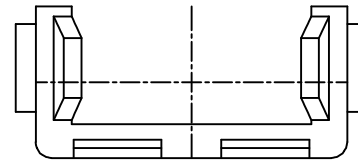
Specifications:

1. Materials: PA66 UL94 V0
2. Colors: natural (white)
3. Matching plastic parts: 35180-0400

THIS DRAWING IS A CONTROLLED DOCUMENT.		Design 2018-02-08 WANLEFU		Yueqing Hegxing Electronic Co., Ltd				
		Checked 2018-02-08 YUNJIAN LIN						
DIMENSIONS: mm		Approved 2018-02-08 WEIHUA LIN		NAME Connector				
		TOLERANCES ACCORDING TO THE DRAWING SPECIFIED						
		PRODUCT SPEC		APPLICATION SPEC	SIZE	GAGE CODE	DRAWING NO	RESTRICTED TO
		WEIGHT		A4		35182-0290		
CUSTOMER DRAWING				SCALE	SHEET 1 OF 1	REV		

REVISIONS

P	LTR	DESCRIPTION	DATE	DWN	APVD



Specifications:

1. Materials: NYLON66 UL94 V2

2. Colors: 35965-0290: Natural

35965-0292: Red

35965-0293: Yellow

35965-0294: Blue

3. Applicable Housing: 35965-0200/35965-0210/35965-0220

THIS DRAWING IS A CONTROLLED DOCUMENT.		Design 2018-02-08 WANLEFU	Yueqing Hegxing Electronic Co.,Ltd				
		Checked 2018-02-08 YUNJIAN LIN					
DIMENSIONS: mm		Aproved 2018-02-08 WEIHUA LIN	NAME Connector				
		PRODUCT SPEC					
	TOLERANCES ACCORDING TO THE DRAWING SPECIFIED	APPLICATION SPEC	SIZE	GAGE CODE	DRAWING NO	RESTRICTED TO	
		WEIGHT	A4		35965-029*		
CUSTOMER DRAWING					SCALE	SHEET 1 OF 1	REV