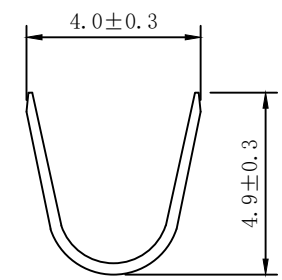
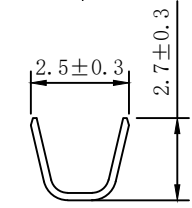
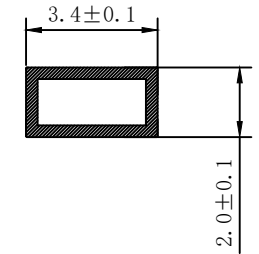
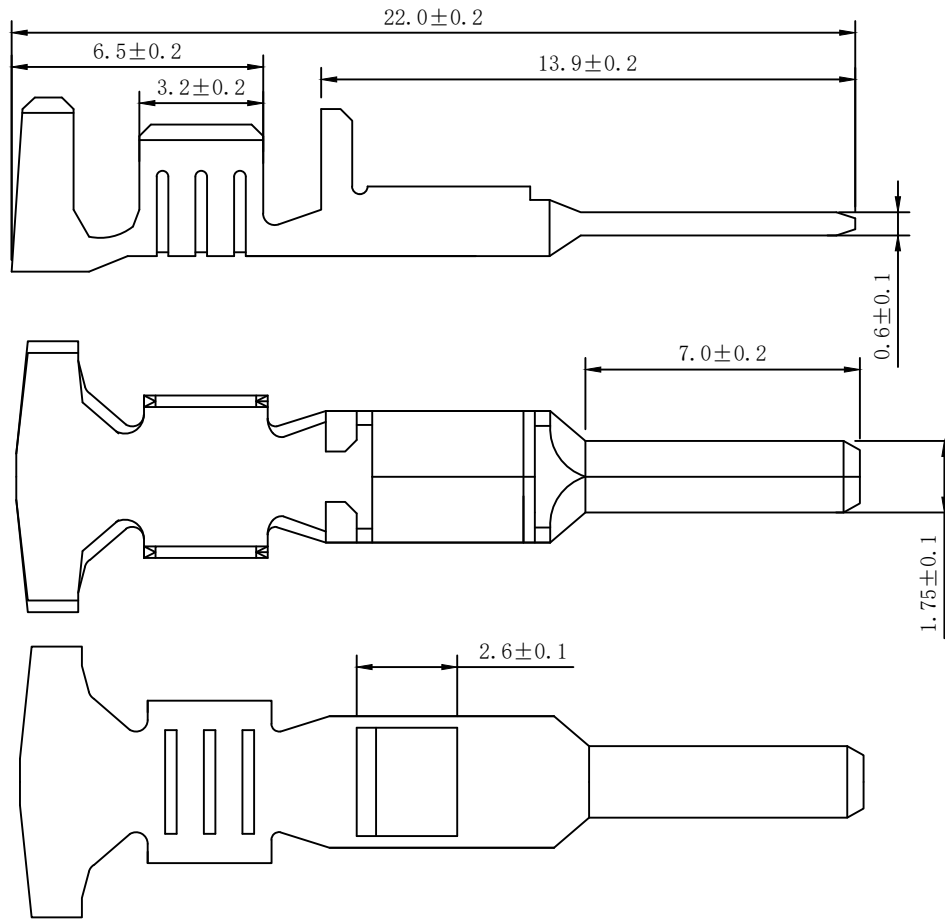


REVISIONS

P	LTR	DESCRIPTION	DATE	DWN	APVD



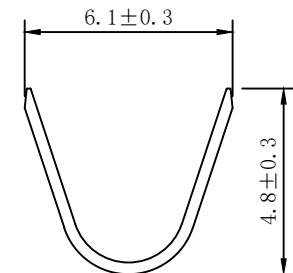
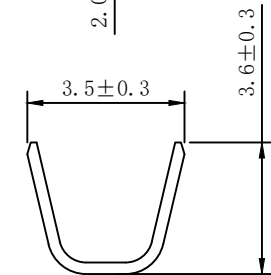
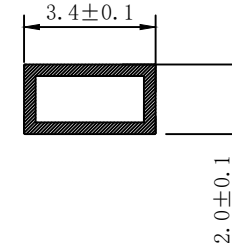
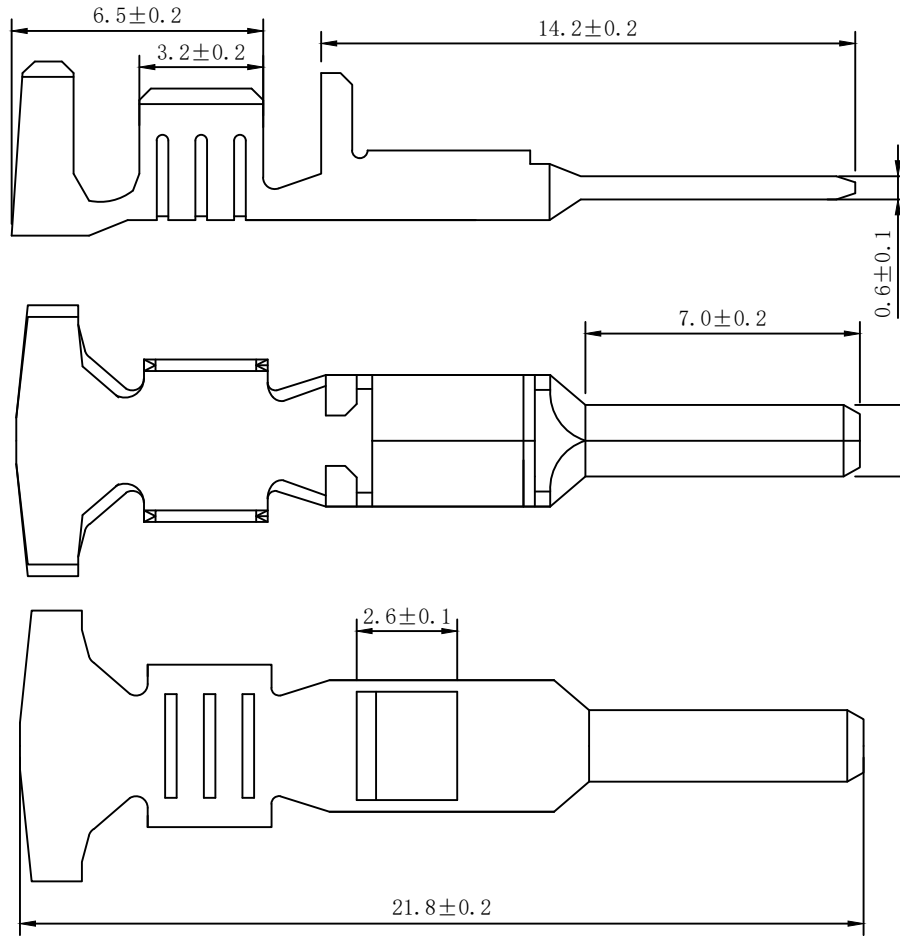
Specifications:

1. Applicable Wires: AWG18-14#
2. Material: 0.3mm Brass
3. Plating: Pre-plated Tin

THIS DRAWING IS A CONTROLLED DOCUMENT.		DROWN 21-02-2009 ARONG PAN	Yueqing Hegxing Electronic Co.,Ltd		
DIMENSIONS: MM		Checked 23-04-2009 YUNJIAN LIN	NAME		
TOLERANCES ACCORDING TO THE DRAWING SPECIFIED.		Approved 13-05-2009 DUQING LI	070 B TYPE MALE TERMINAL		
		PRODUCT SPEC	SIZE	GAGE CODE	DRAWING NO
Material: 0.30 mm BRASS		FINISH: TIN PLATED	A4		35747-0110
CUSTOMER DRAWING			RESTRICTED TO	SCALE	SHEET 1 OF 1
			REV		

REVISIONS

P	LTR	DESCRIPTION	DATE	DWN	APVD



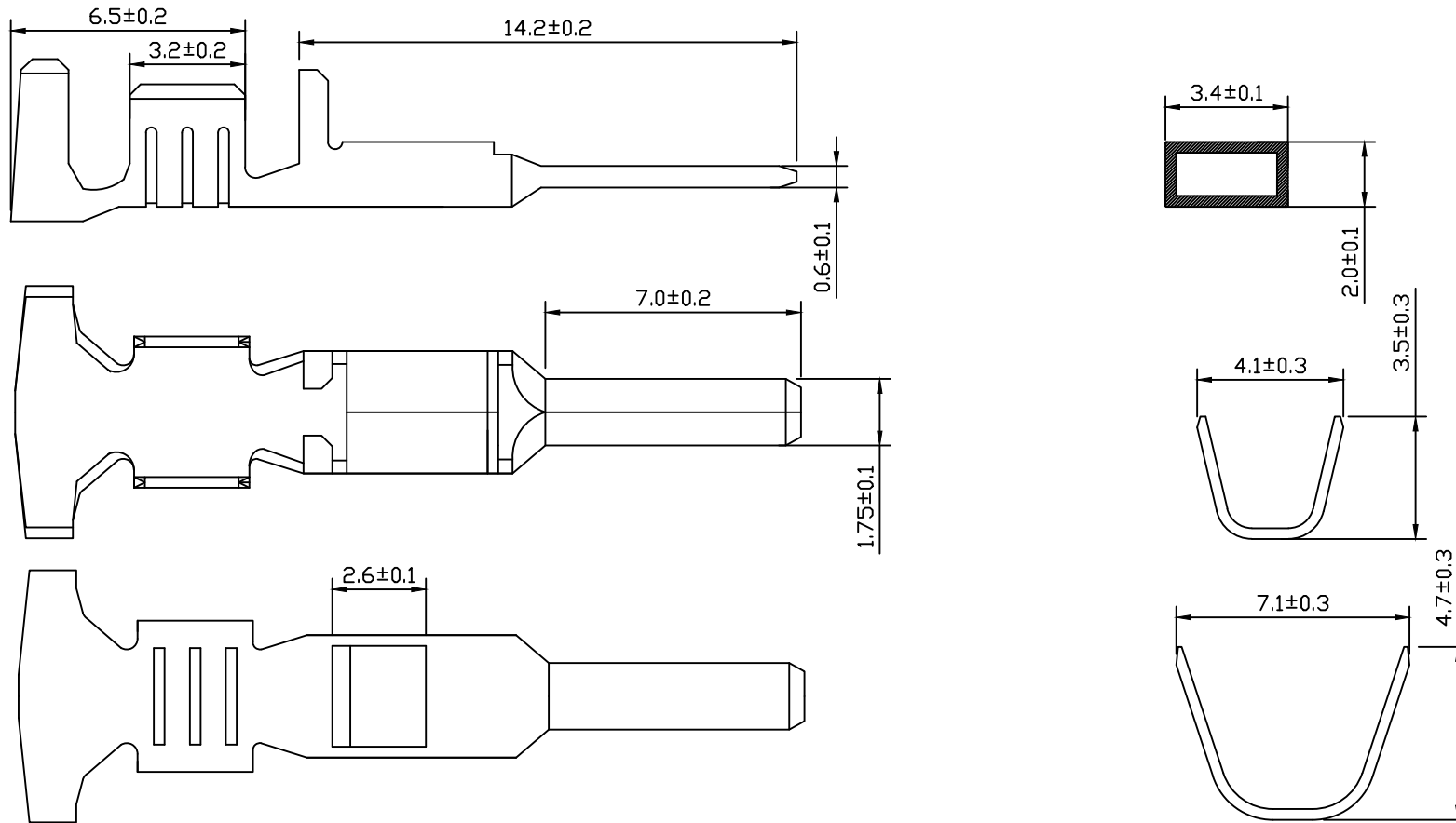
Specifications:

1. Applicable Wires: AWG18-14#
2. Material: 0.3mm Brass
3. Finish: Pre-plated Tin

THIS DRAWING IS A CONTROLLED DOCUMENT.		DROWN 21-02-2009 ARONG PAN	Yueqing Hegxing Electronic Co.,ltd		
DIMENSIONS: MM		Checked 23-04-2009 YUNJIAN LIN	NAME		
TOLERANCES ACCORDING TO THE DRAWING SPECIFIED.		Approved 13-05-2009 DUQING LI	070 B TYPE MALE TERMINAL		
		PRODUCT SPEC	SIZE	GAGE CODE	DRAWING NO
Material: 0.30 mm BRASS		FINISH: TIN PLATED	A4		35747-0210
CUSTOMER DRAWING			RESTRICTED TO	SCALE	SHEET 1 OF 1
			REV		

REVISIONS

P	LTR	DESCRIPTION	DATE	DWN	APVD



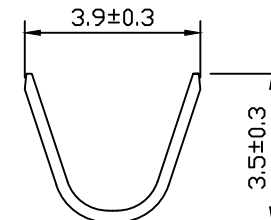
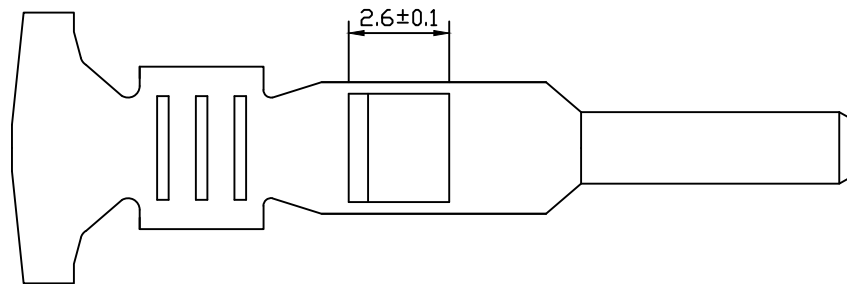
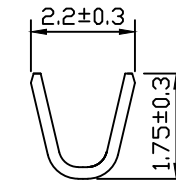
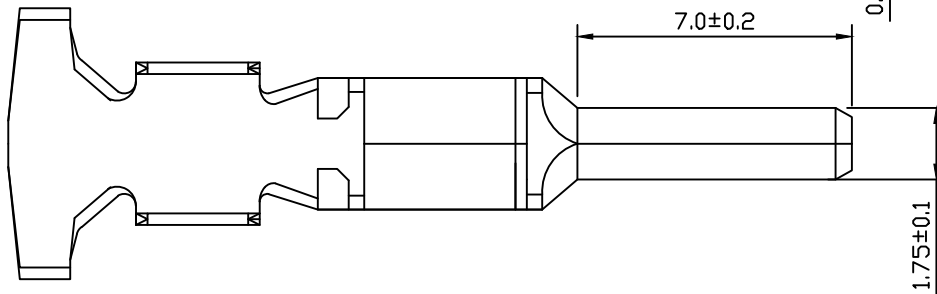
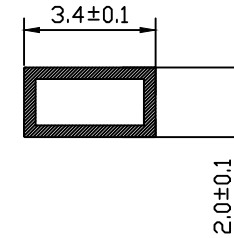
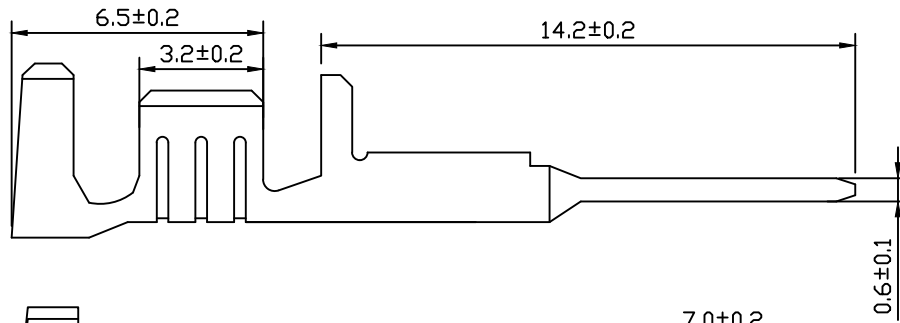
Specifications:

1. Applicable Wires:  
AWG20#+20# or AWG20#+18# or AWG18#+18#
2. Material: 0.3mm Brass
3. Finish: Pre-plated Tin

THIS DRAWING IS A CONTROLLED DOCUMENT.		DROWN 21-02-2009 ARONG PAN	Yueqing Hegxing Electronic Co.,ltd			
		Checked 23-04-2009 YUNJIAN LIN				
DIMENSIONS: MM	TOLERANCES ACCORDING TO THE DRAWING SPECIFIED.	Aproved 13-05-2009 DUQING LI	NAME			
		PRODUCT SPEC	070 B TYPE MALE TERMINAL			
Material: 0.30 mm BRASS	FINISH: TIN PLATED	APPLICATION SPEC	SIZE	GAGE CODE	DRAWING NO	RESTRICTED TO
		WEIGHT	A4		35747-0310	
CUSTOMER DRAWING			SCALE	SHEET 1 OF 1	REV	

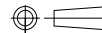
REVISIONS

P	LTR	DESCRIPTION	DATE	DWN	APVD



Specifications:

1. Applicable Wires: AWG24-22#
2. Material: 0.3mm PHOSPHOR BRONZE
3. Finish: Pre-plated Tin

THIS DRAWING IS A CONTROLLED DOCUMENT.		DROWN 21-02-2009 ARONG PAN	Yueqing Hegxing Electronic Co.,ltd		
DIMENSIONS: MM		Checked 23-04-2009 YUNJIAN LIN	NAME		
TOLERANCES ACCORDING TO THE DRAWING SPECIFIED.		Aproved 13-05-2009 DUQING LI	070 B TYPE MALE TERMINAL		
		PRODUCT SPEC	APPLICATION SPEC	SIZE	GAGE CODE
Material: 0.30 mm BRASS	FINISH: TIN PLATED	WEIGHT	A4	DRAWING NO. 1.8M-00PTB (35747-0410)	RESTRICTED TO
CUSTOMER DRAWING			SCALE	SHEET 1 OF 1	REV