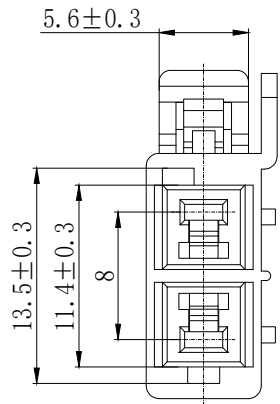
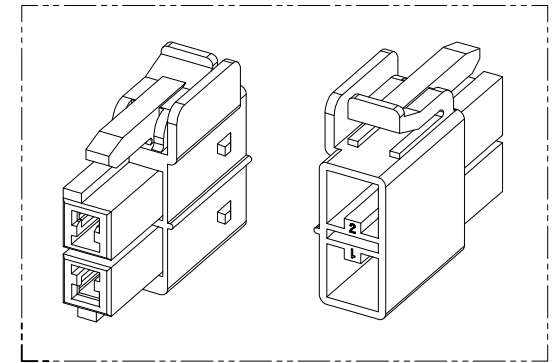
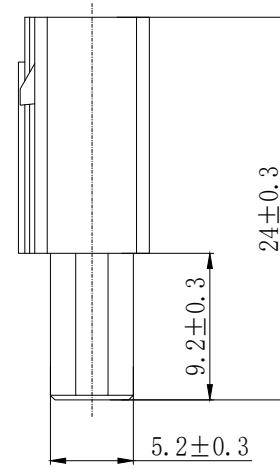
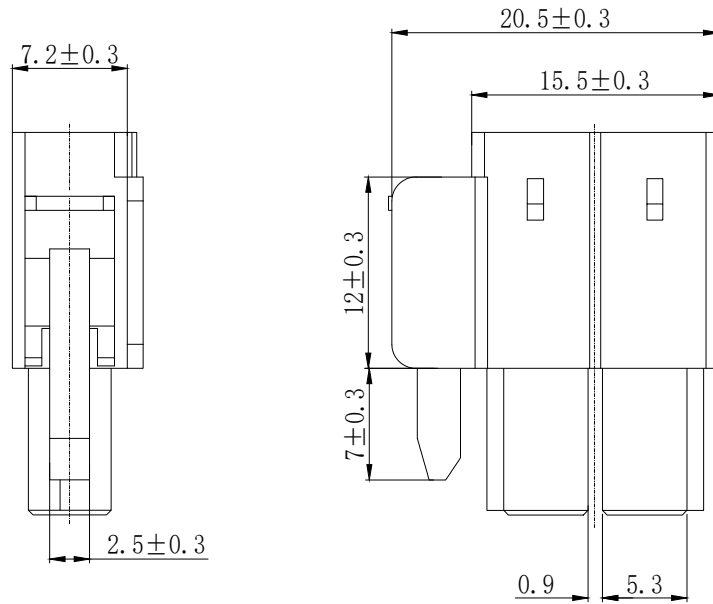


REVISIONS

P	LTR	DESCRIPTION	DATE	DWN	APVD



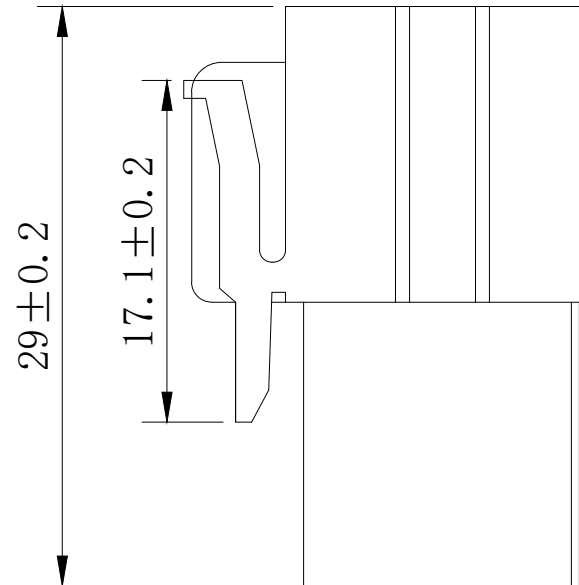
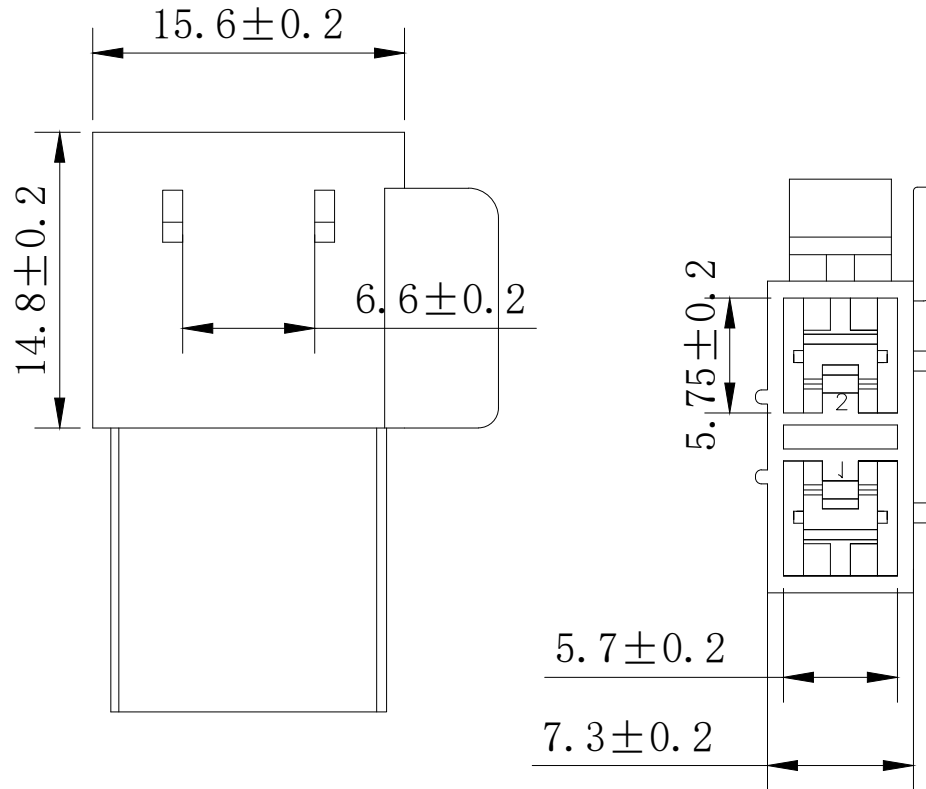
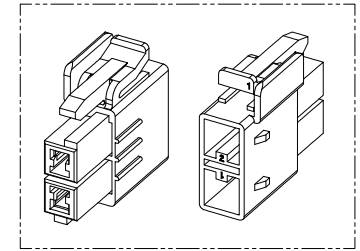
Specifications:

1. Materials: PC-PET UL94 V0
2. Colors: Natural
3. Applicable Terminal: 35746-0*10

THIS DRAWING IS A CONTROLLED DOCUMENT.		Design 2018-02-08 WANLEFU	Yueqing Hegxing Electronic Co.,Ltd			
		Checked 2018-02-08 YUNJIAN LIN				
DIMENSIONS: mm	TOLERANCES ACCORDING TO THE DRAWING SPECIFIED	Approved 2018-02-08 WEIHUA LIN	NAME Connector			
		PRODUCT SPEC	APPLICATION SPEC	SIZE	GAGE CODE	DRAWING NO
		WEIGHT	A4		35965-0200	
CUSTOMER DRAWING			SCALE	SHEET 1 OF 1	REV	

REVISIONS

P	LTR	DESCRIPTION	DATE	DWN	APVD



Specifications:

1. Materials: PA66 UL94 V0
2. Colors: natural (white)
3. Applicable Terminal: 35748-0110

THIS DRAWING IS A CONTROLLED DOCUMENT.		Design 2018-02-08 WANLEFU	Yueqing Hegxing Electronic Co., Ltd		
		Checked 2018-02-08 YUNJIAN LIN			
DIMENSIONS: mm		Approved 2018-02-08 WEIHUA LIN	NAME Connector		
TOLERANCES ACCORDING TO THE DRAWING SPECIFIED		PRODUCT SPEC			
		APPLICATION SPEC	SIZE A4	GAGE CODE	DRAWING NO 35965-0210
		WEIGHT	RESTRICTED TO		
CUSTOMER DRAWING			SCALE	SHEET 1 OF 1	REV