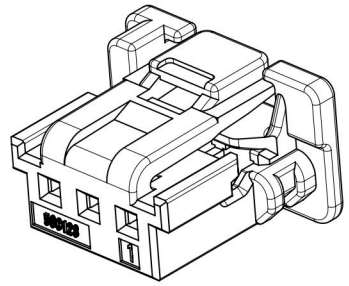
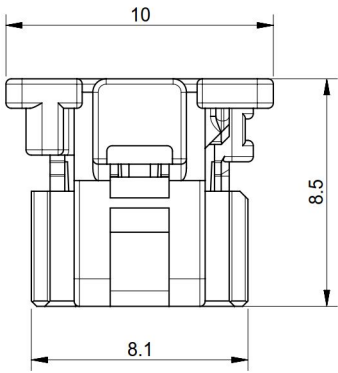
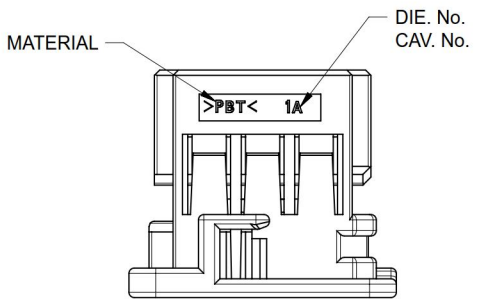
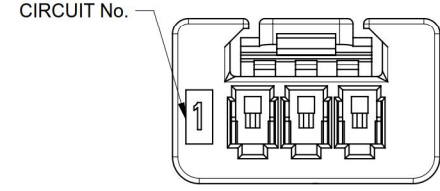
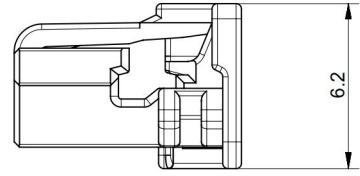
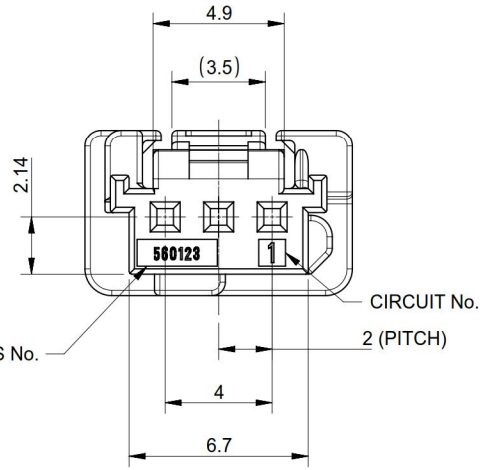


GENERAL TOLERANCE										USED ON
10 MAX	30 MAX	50 MAX	70 MAX	100 MAX	120 MAX	250 MAX	250 OVER	ANGLE	ECCENT	
±0.15	±0.20	±0.30	±0.40	±0.50	±0.75	±0.90	±1.4	±0.5°	0.1	



ISO VIEW



- NOTES:
1. MATERIALS : POLYESTER (PBT), GLASS UNFILLED, UL94 V-0
 2. MATE WITH : 502352, 560020 SERIES
 3. APPLICABLE TERMINAL : 560124 SERIES
 4. APPLICABLE ISL : 560125 SERIES
 5. GENERAL TOLERANCE : SEE TABLE
 6. EVL AND RoHS COMPLIANT
 7. PRODUCT SPECIFICATION : PS-560123-00*
 8. PACKING SPECIFICATION : PK-560123-001

MATERIAL NUMBER

ORDER NO.	MATERIAL NO.	COLOR
560123-0300	5601230300	WHITE
560123-0301	5601230301	BLACK
560123-0302	5601230302	RED
560123-0304	5601230304	BLUE

FUNCTIONAL SYMBOLS	THIS DRAWING CONTAINS INFORMATION THAT IS PROPRIETARY TO HGX ELECTRONIC TECHNOLOGIES, LLC AND SHOULD NOT BE USED WITHOUT WRITTEN PERMISSION	
	DIMENSION UNITS	SCALE
	mm	5:1
	GENERAL TOLERANCES (UNLESS SPECIFIED)	
DIVISIONAL SYMBOLS	ANGULAR TOL	± °
	4 PLACES	±
	3 PLACES	±
	2 PLACES	±
CURRENT REV DESC:		YUEQING HEGXING ELECTRONICS CO.,LTD
EC NO: 668822		NEW 2.0 PITCH W/B CONN. 0.5mm REC. 3WAY HSG DURACLK ISL SERIES
DRWN: SAKIM		PRODUCT CUSTOMER DRAWING
CHK'D: HIJIMA		DOCUMENT NUMBER
APPR: HIJIMA		SD-560123-003
INITIAL REVISION:		DOC TYPE
DRWN: YIBAEK		PSD
APPR: SRTAK		001
DRAFT WHERE APPLICABLE MUST REMAIN WITHIN DIMENSIONS		REVISION
THIRD ANGLE PROJECTION		C3
DRAWING		MATERIAL NUMBER
A3-SIZE		CUSTOMER
SERIES		GENERAL MARKET
560123		SHEET NUMBER
SEE TABLE		1 OF 1