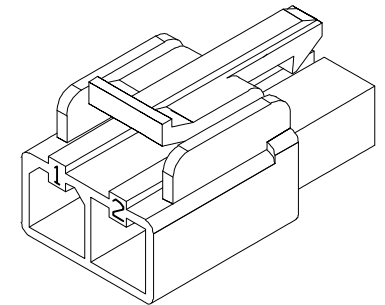
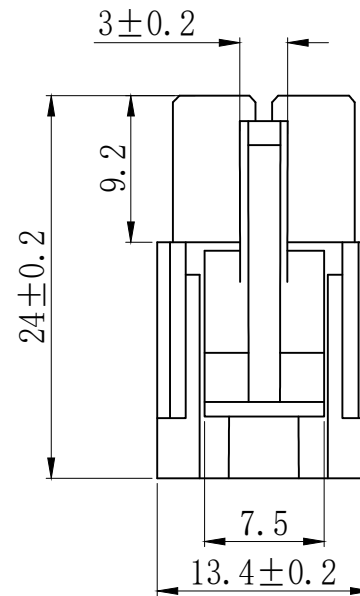
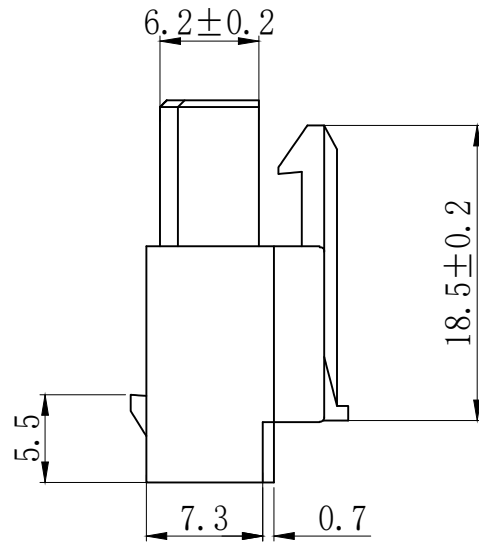
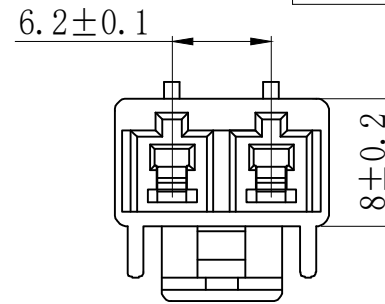
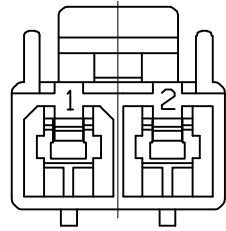


REVISIONS

| P | LTR | DESCRIPTION | DATE | DWN | APVD |
|---|-----|-------------|------|-----|------|
| | | | | | |



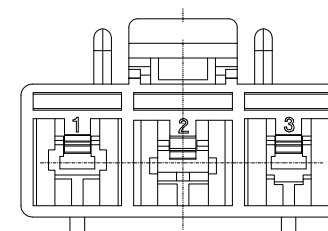
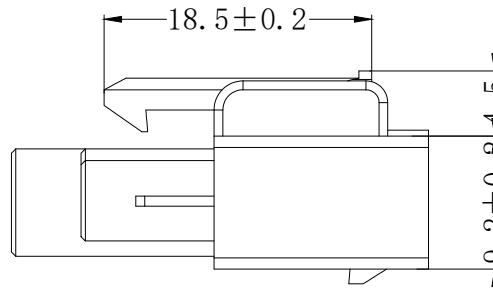
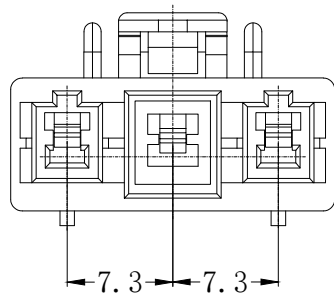
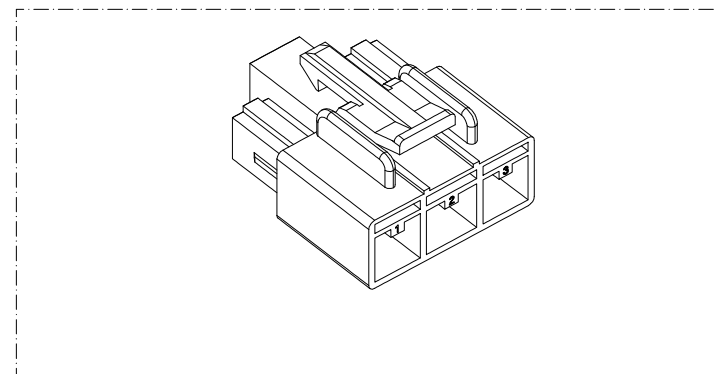
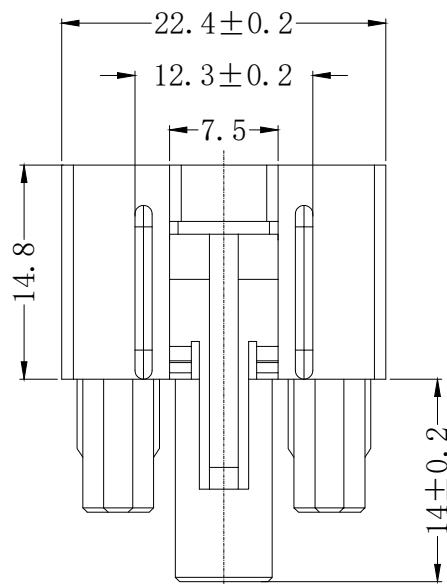
Specifications:

1. Materials: PA66 UL94 V0
2. Colors: natural (white)
3. Applicable Terminal: 35746-0210

| | | | | | |
|---|--|--------------------------------------|------------------------------------|-----------------|--------------------------|
| THIS DRAWING IS A CONTROLLED DOCUMENT. | | Design 2018-02-08 WANLEFU | Yueqing Hegxing Electronic Co.,Ltd | | |
| | | Checked 2018-02-08 YUNJIAN LIN | | | |
| DIMENSIONS: mm | | Approved 2018-02-08 WEIHUA LIN | NAME Connector | | |
| TOLERANCES ACCORDING TO THE DRAWING SPECIFIED | | PRODUCT SPEC | | | |
| | | APPLICATION SPEC | SIZE A4 | GAGE CODE | DRAWING NO 35151-0210 |
| | | WEIGHT | | | RESTRICTED TO |
| CUSTOMER DRAWING | | | SCALE | SHEET 1 OF 1 | REV |

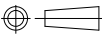
REVISIONS

| P | LTR | DESCRIPTION | DATE | DWN | APVD |
|---|-----|-------------|------|-----|------|
| | | | | | |



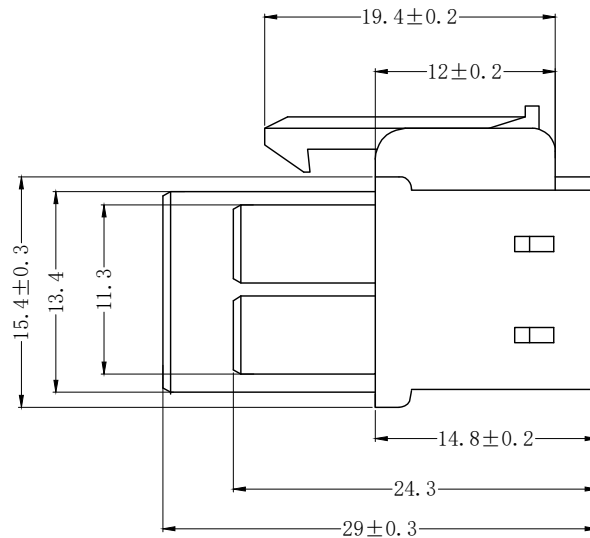
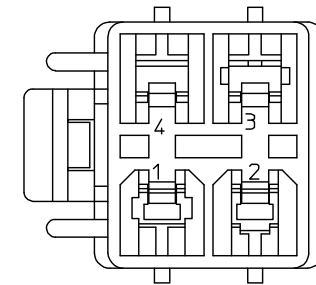
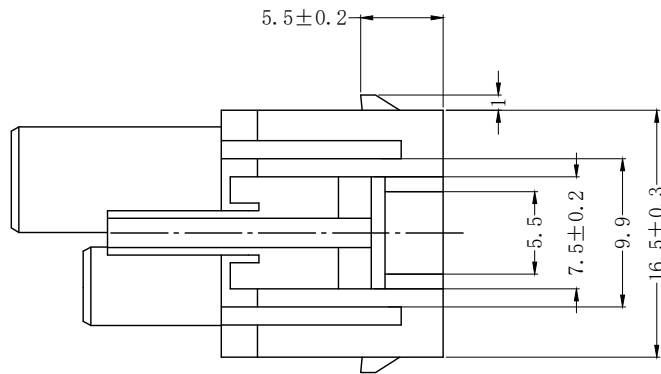
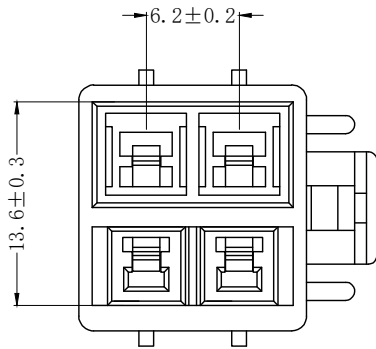
Specifications:

1. Materials: PA66 UL 94 V-0
2. Colors: natural, Red, yellow, Blue
3. Applicable Terminal: 1CKT: 35746-0*10, 2CKT: 35745-0*10, 3CKT: 35748-0*10
4. Housing and 35150-031* socket inserts cooperate: OK
5. Housing and 35150-039* socket inserts cooperate: OK

| | | | | | | |
|---|---|-----------------------------------|-------------------------------------|-----------|--------------|---------------|
| THIS DRAWING IS A CONTROLLED DOCUMENT. | | Design 2018-02-08 WANLEFU | Yueqing Hegxing Electronic Co., Ltd | | | |
| | | Checked 2018-02-08 YUNJIAN LIN | | | | |
| DIMENSIONS: mm | TOLERANCES ACCORDING TO THE DRAWING SPECIFIED | Approved 2018-02-08 WEIHUA LIN | NAME Connector | | | |
| | | PRODUCT SPEC | | | | |
|  | | APPLICATION SPEC | SIZE | GAGE CODE | DRAWING NO | RESTRICTED TO |
| | | WEIGHT | A4 | | 35151-0310 | |
| CUSTOMER DRAWING | | | | SCALE | SHEET 1 OF 1 | REV |


REVISIONS

| P | LTR | DESCRIPTION | DATE | DWN | APVD |
|---|-----|-------------|------|-----|------|
| | | | | | |



Specifications:

1. Materials: 35151-0419: PC/PET UL 94 V-0
2. Applicable Terminal: 1CKT: 35745-0*10, 2CKT: 35747-0*10
3CKT: 35746-0*10, 4CKT: 35748-0*10
3. housing and 35151-041* socket inserts cooperate: OK
4. housing and 35150-0290 inserts cooperate: OK

| | | | | | |
|--|-----------------------------------|--|-----------|---------------------------------|---------------|
| THIS DRAWING IS A CONTROLLED DOCUMENT. | DROWN 2007-12-08 ARONG PAN | Yueqing Hegxing Electronic Co.,ltd | | | |
| | Checked 2007-12-08 YUNJIAN LIN | | | | |
| DIMENSIONS: mm | Aproved 2007-12-8 WEIHUA LIN | NAME 6.2 pitch connector 4RF | | | |
|  TOLERANCES ACCORDING TO THE DRAWING SPECIFIED | PRODUCT SPEC | SIZE A4 | GAGE CODE | DRAWING NO 35151-0410 | RESTRICTED TO |
| | APPLICATION SPEC | | | | |
| UL-94 V0 | WEIGHT | CUSTOMER DRAWING | | SCALE | SHEET 1 OF 1 |
| | | | | | REV |