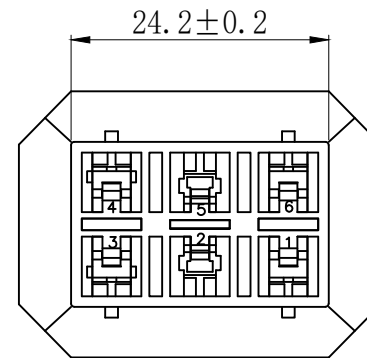
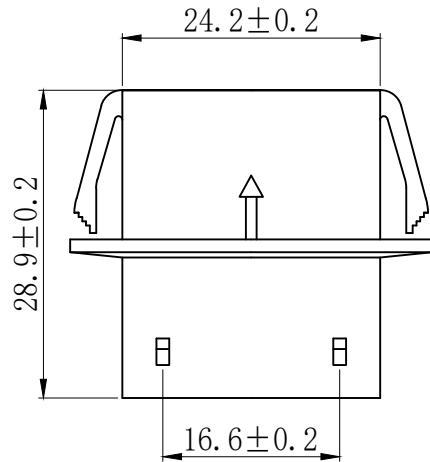
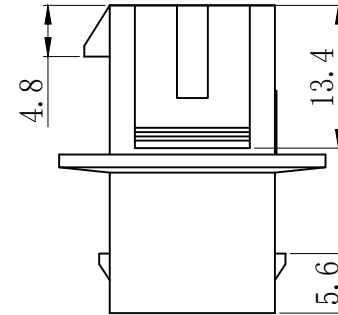
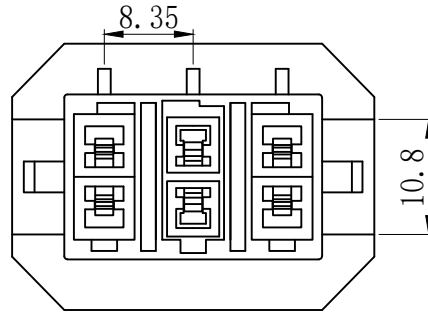
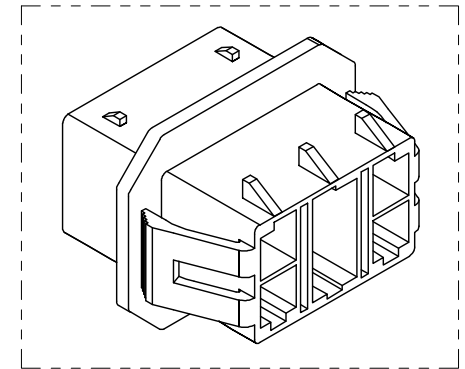


REVISIONS

P	LTR	DESCRIPTION	DATE	DWN	APVD



Specifications:

1. Materials: PET UL94 V0
2. Colors: natural (white)
3. Applicable Terminal: 35745-0*10 (3, 4 Poles)
 35746-0*10 (2, 5 Poles)
 35747-0*10 (1, 6 Poles)

THIS DRAWING IS A CONTROLLED DOCUMENT.		Design 2018-02-08 WANLEFU	Yueqing Hegxing Electronic Co.,Ltd		
		Checked 2018-02-08 YUNJIAN LIN			
DIMENSIONS: mm		Approved 2018-02-08 WEIHUA LIN	NAME Connector		
TOLERANCES ACCORDING TO THE DRAWING SPECIFIED		PRODUCT SPEC			
		APPLICATION SPEC	SIZE A4	GAGE CODE	DRAWING NO 35180-0609
		WEIGHT			RESTRICTED TO
CUSTOMER DRAWING			SCALE	SHEET 1 OF 1	REV