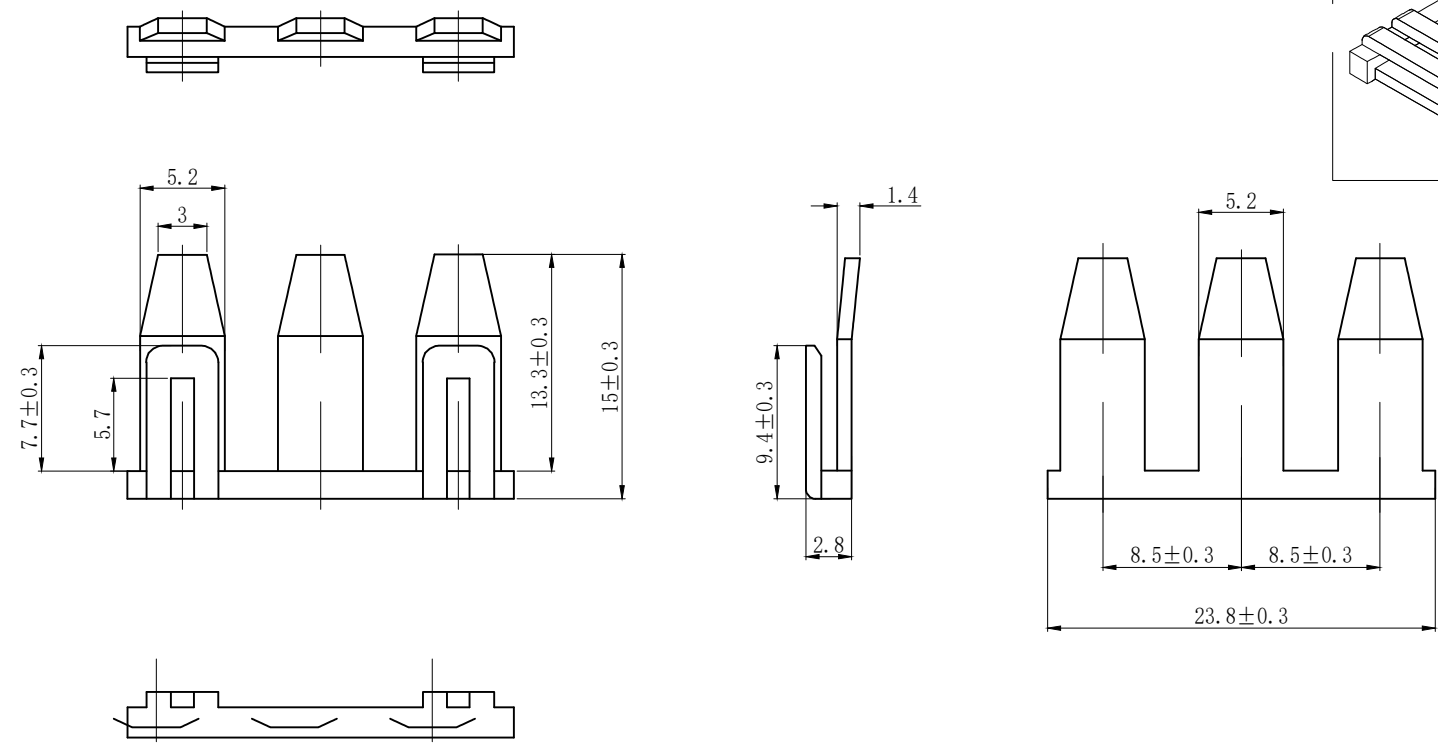
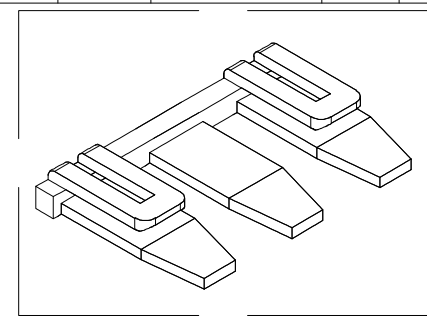


REVISIONS

P	LTR	DESCRIPTION	DATE	DWN	APVD



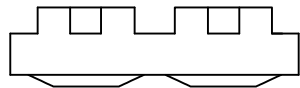
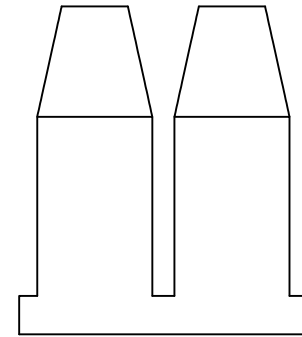
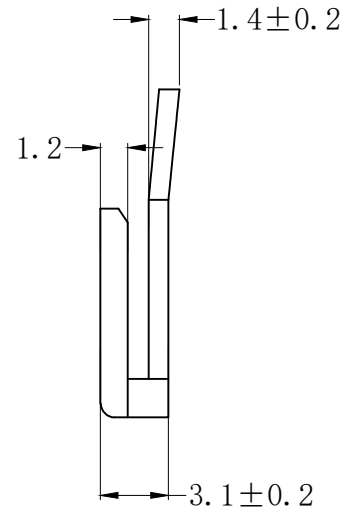
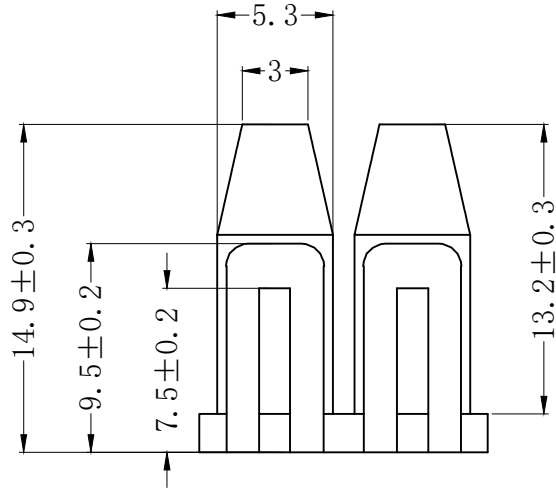
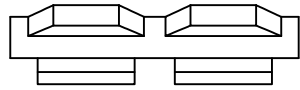
Specifications:

- Materials: PA66 UL94 V2
- Colors: 35182-0390: Natural
35182-0392: Red
35182-0393: Yellow
35182-0394: Blue
- Applicable Housing: 35180-06**

THIS DRAWING IS A CONTROLLED DOCUMENT.	Design 2018-02-08 WANLEFU	Yueqing Hegxing Electronic Co.,ltd				
	Checked 2018-02-08 YUNJIAN LIN					
DIMENSIONS: mm	Approved 2018-02-08 WEIHUA LIN	NAME Connector				
	TOLERANCES ACCORDING TO THE DRAWING SPECIFIED	PRODUCT SPEC	SIZE A4	GAGE CODE	DRAWING NO 35182-039*	RESTRICTED TO
	APPLICATION SPEC	WEIGHT	SCALE		SHEET 1 OF 1	REV
CUSTOMER DRAWING			SCALE		SHEET 1 OF 1	REV

REVISIONS

P	LTR	DESCRIPTION	DATE	DWN	APVD



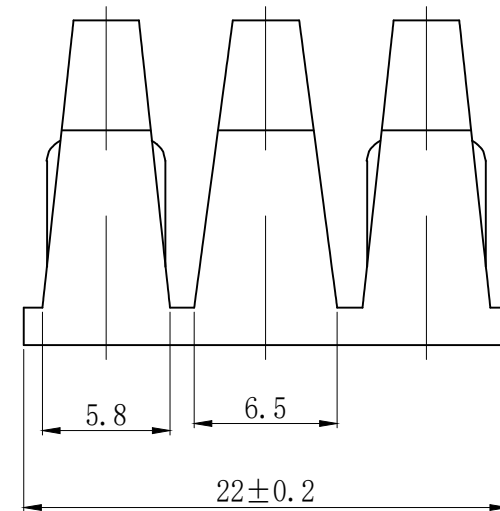
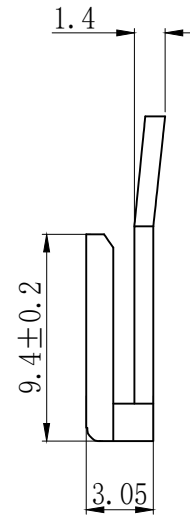
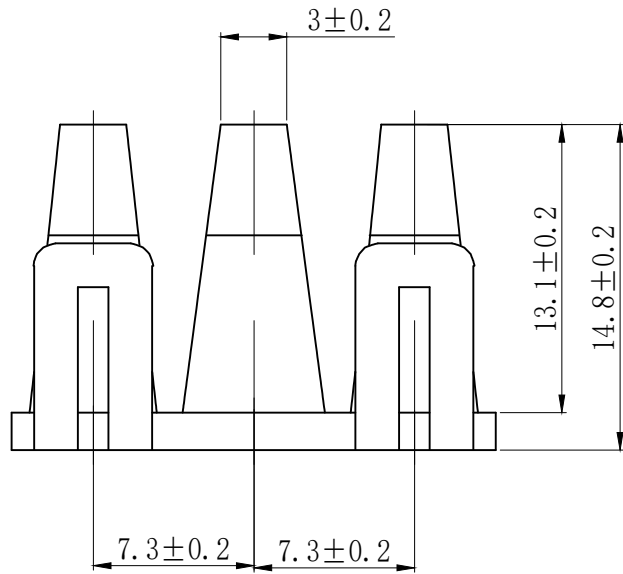
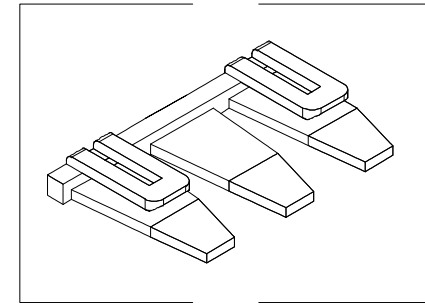
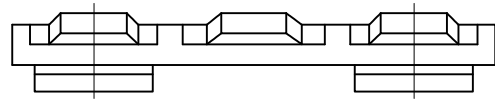
Specifications:

1. Materials: a. PA66 UL 94 V2
2. Colors: 0290 :natural ,0292:Red ,0293: yellow,0294:Blue
3. Housin inserts cooperate: OK

THIS DRAWING IS A CONTROLLED DOCUMENT.		DROWN 2006-12-08 ARONG PAN	Yueqing Hegxing Electronic Co.,ltd			
DIMENSIONS: mm		Checked 2006-12-08 YUNJIAN LIN	NAME 6.2 pitch connector T.P.A			
TOLERANCES ACCORDING TO THE DRAWING SPECIFIED		Approved 2006-12-8 WEIHUA LIN	PRODUCT SPEC			
		APPLICATION SPEC	SIZE	GAGE CODE	DRAWING NO	RESTRICTED TO
UL-94 V2		WEIGHT	A4		35150-029*	
CUSTOMER DRAWING					SCALE	SHEET 1 OF 1
					REV	

REVISIONS

P	LTR	DESCRIPTION	DATE	DWN	APVD



Specifications:

- Materials: a. PA66 UL 94 V2
- Colors: Natural: 35150-0390, Red: 35150-0392
Yellow, 35150-0393, Blue: 35150-0394
- Housin inserts cooperate: OK

THIS DRAWING IS A CONTROLLED DOCUMENT.		DROWN 2006-12-08 ARONG PAN	Yueqing Hegxing Electronic Co.,ltd			
		Checked 2006-12-08 YUNJIAN LIN				
DIMENSIONS: mm	TOLERANCES ACCORDING TO THE DRAWING SPECIFIED	Aproved 2006-12-8 WEIHUA LIN	NAME connector T.P.A			
		PRODUCT SPEC	SIZE	GAGE CODE	DRAWING NO	RESTRICTED TO
	UL-94 V2	APPLICATION SPEC	A4	35150-039*	1 OF 1	REV
		WEIGHT				