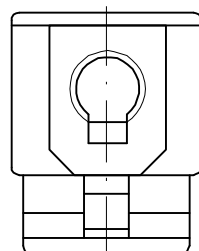
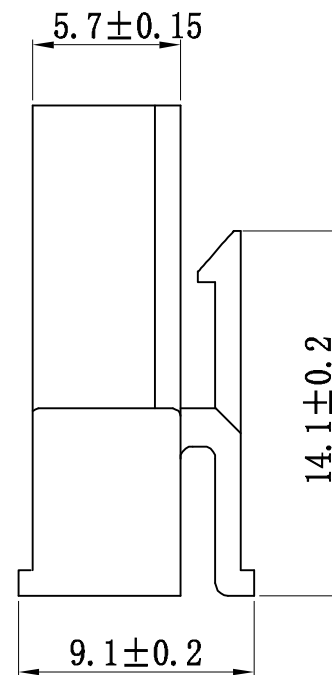
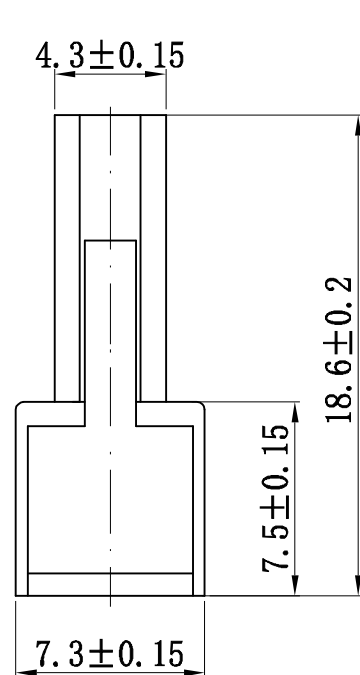


REVISIONS

P	LTR	DESCRIPTION	DATE	DWN	AP

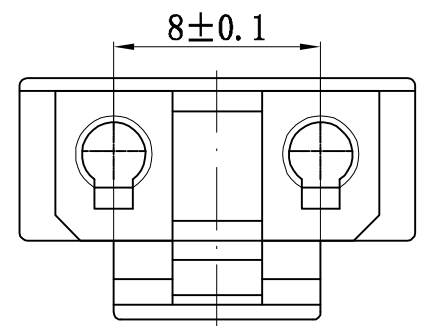
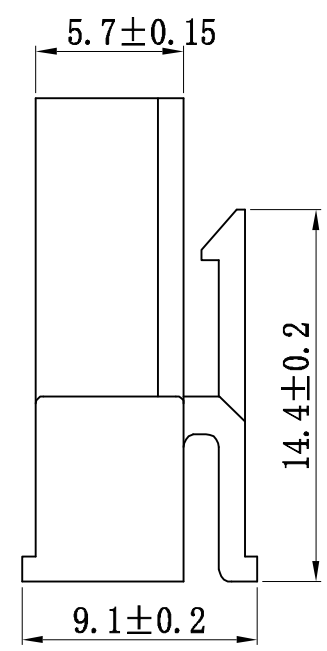
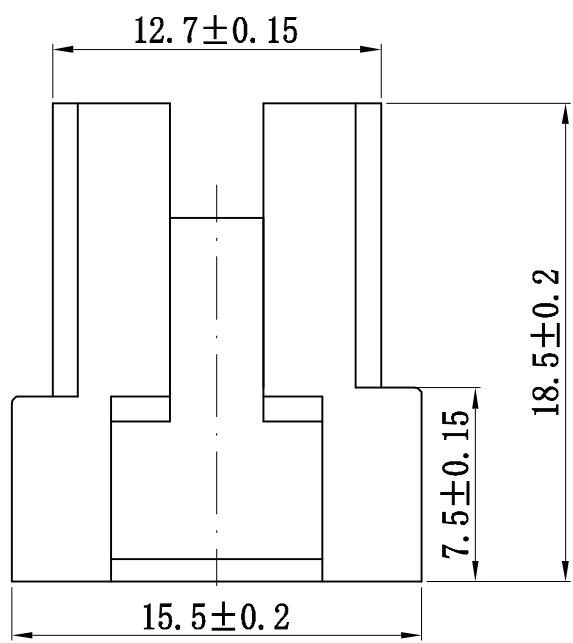


Specifications:

1. Materials: PA66 UL94 V0
2. Colors: natural (white)
3. Applicable Terminal: CY-X201- $\varnothing$ 2.1

THIS DRAWING IS A CONTROLLED DOCUMENT.		Design 2018-02-08 WANLEFU	Yueqing Hegxing Electronic Co.,Ltd			
		Checked 2018-02-08 YUNJIAN LIN				
DIMENSIONS: mm	TOLERANCES ACCORDING TO THE DRAWING SPECIFIED	Approved 2018-02-08 WEIHUA LIN	NAME  Connector			
		PRODUCT SPEC				
		APPLICATION SPEC	SIZE	GAGE CODE	DRAWING NO	RESTRICT TO
		WEIGHT	A4		CY-X201-1Y (82001-1Y)	
CUSTOMER DRAWING			SCALE	SHEET 1 OF 1	RE	

REVISIONS					
P	LTR	DESCRIPTION	DATE	DWN	APV

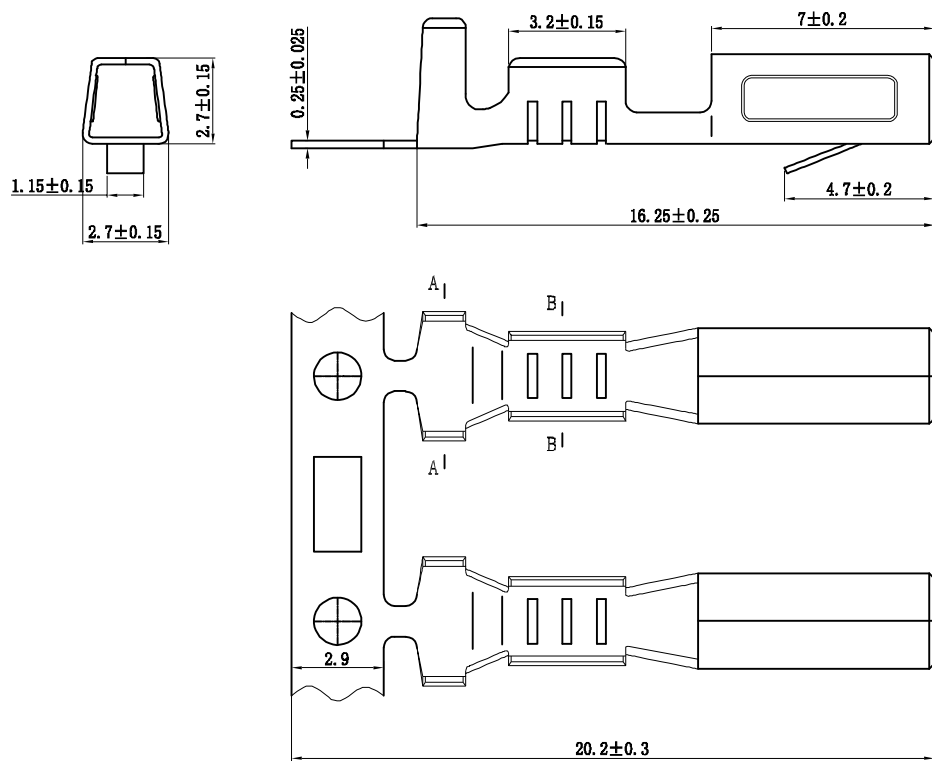


**Specifications:**

1. Materials: PA66 UL94 V0
2. Colors: natural (white)
3. Applicable Terminal: CY-X201- $\varnothing$ 2.1

THIS DRAWING IS A CONTROLLED DOCUMENT.	Design 2018-02-08 WANLEFU	Yueqing Hegxing Electronic Co.,Ltd				
	Checked 2018-02-08 YUNJIAN LIN					
DIMENSIONS: mm	Approved 2018-02-08 WEIHUA LIN	NAME Connector				
	TOLERANCES ACCORDING TO THE DRAWING SPECIFIED	PRODUCT SPEC	SIZE	GAGE CODE	DRAWING NO	RESTRICT TO
	APPLICATION SPEC	A4		CY-X201-2Y (82001-2Y)		
	WEIGHT	CUSTOMER DRAWING		SCALE	SHEET 1 OF 1	RE

REVISIONS					
P	LTR	DESCRIPTION	DATE	DWN	AP



**Specifications:**

1. Applicable wire: AWG 24-18
2. Material thickness: 0.25mm Phosphor bronze
3. Plating: Tin plated

THIS DRAWING IS A CONTROLLED DOCUMENT.	Design	2018-02-08	Yueqing Hegxing Electronic Co.,Ltd				
	Checked	2018-02-08					
DIMENSIONS: mm	Approved	2018-02-08	NAME <b>TERMINAL</b>				
	Checked	2018-02-08					
	TOLERANCES ACCORDING TO THE DRAWING SPECIFIED		PRODUCT SPEC	SIZE	GAGE CODE	DRAWING NO	RESTRICT TO
	APPLICATION SPEC	WEIGHT	A4		CY-X201-Ø2.1		
CUSTOMER DRAWING			SCALE	SHEET 1 OF 1	RE		