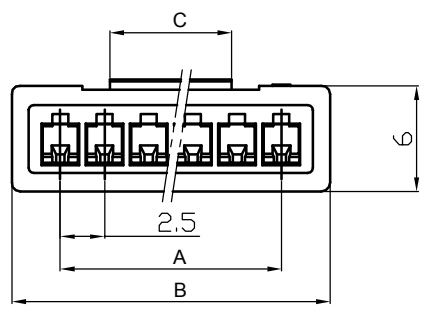
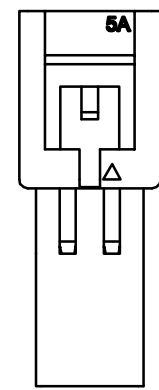
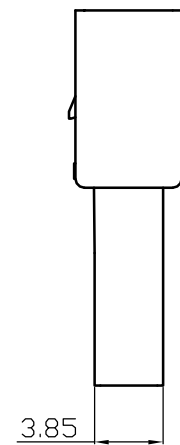
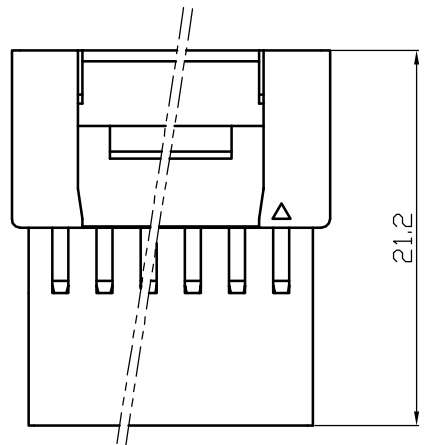





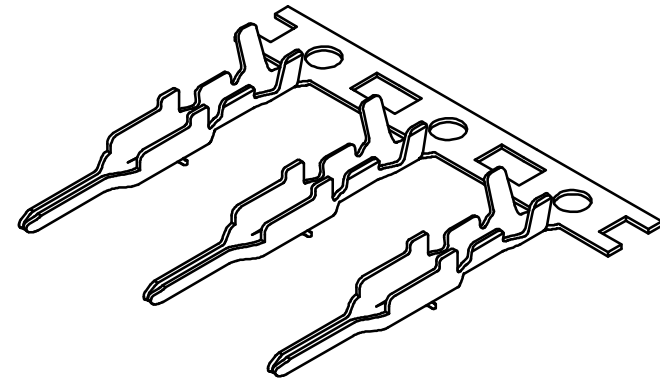
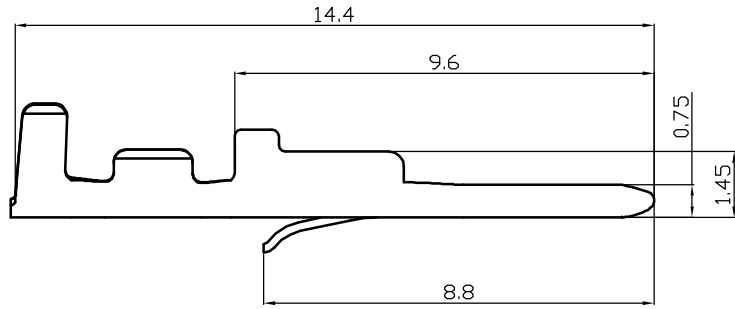
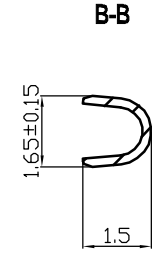
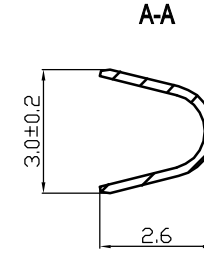
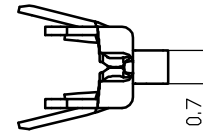
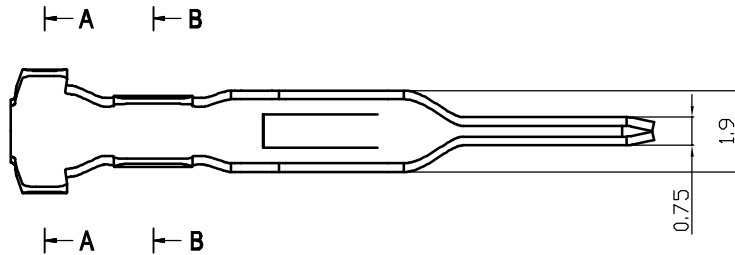
SMP250 Type Housing






Poles	Part No.		Dimensions		
			A	B	C
2	WW2507-H02	SMP250-2A	2.5	8	1
3	WW2507-H03	SMP250-3A	5	10.5	1
4	WW2507-H04	SMP250-4A	7.5	13	1.9
5	WW2507-H05	SMP250-5A	10	15.5	1.9
6	WW2507-H06	SMP250-6A	12.5	18	6.9
7	WW2507-H07	SMP250-7A	15	20.5	9.4
8	WW2507-H08	SMP250-8A	17.5	23	11.9
9	WW2507-H09	SMP250-9A	20	25.5	11.4
10	WW2507-H10	SMP250-10A	22.5	28	16.9
11	WW2507-H11	SMP250-11A	25	30.5	19.4
12	WW2507-H12	SMP250-12A	27.5	33	21.9
13	WW2507-H13	SMP250-13A	30	35.5	24.4
14	WW2507-H14	SMP250-14A	32.5	38	26.9
15	WW2507-H15	SMP250-15A	35	40.5	29.4

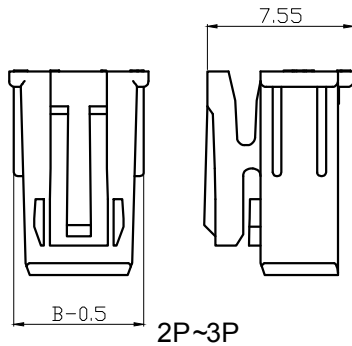
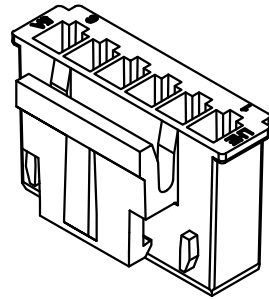
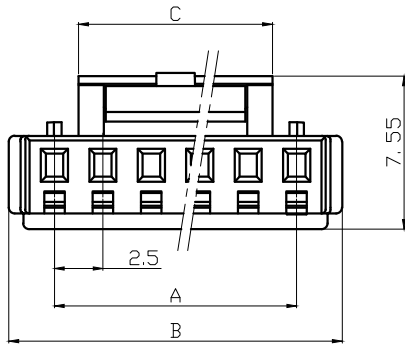
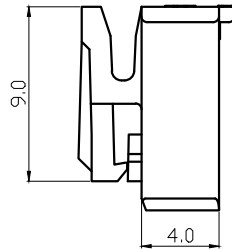
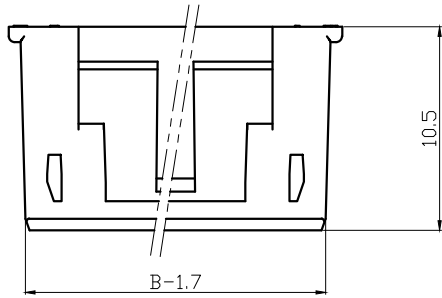
1	Housing	PA66(UL94V-0/V-2)	1	White					
No.	Item/Material No.	Material	QTY	Remark					
Unmarked Tolerance		 Yueqing Hegxing Electronics Co., Ltd							
X. ° ±3° X. X° ±0.5°									
>0-3	>3-18	>18-50	>50-120	Unit	Scale	Design Unit	Size	Part No.	 
±0.12	±0.15	±0.3	±0.5	mm	—	Metric	A4		
Draw	Review	Approve	Material	Drawing No.	Part No.				
				Item	SMP250-NA				

SMT025 Type Terminal

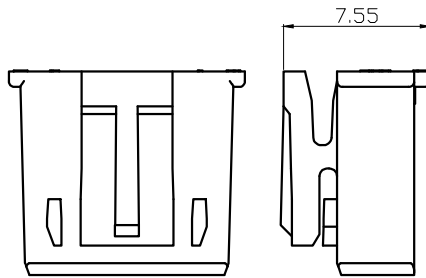


1	Terminal	Phospher Bronze	1						
No.	Item/Material No.	Material	QTY	Remark					
Unmarked Tolerance		 Yueqing Hegxing Electronics Co., Ltd							
X. ° ±3° X. X° ±0.5°									
>0-3	>3-18	>18-50	>50-120	Unit	Scale	Design Unit	Size	Part No.	 
±0.12	±0.15	±0.3	±0.5	mm	—	Metric	A4		
Draw	Review	Approve	Material	Drawing No.			Part No.		
				Item	SMT025				

SMH250 Type Housing


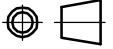


2P~3P

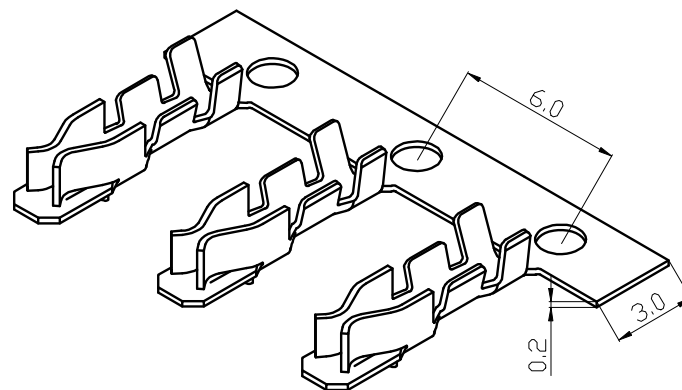
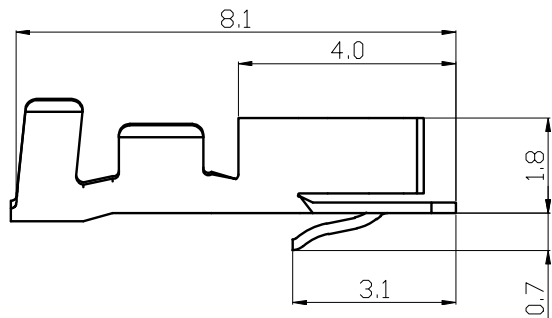
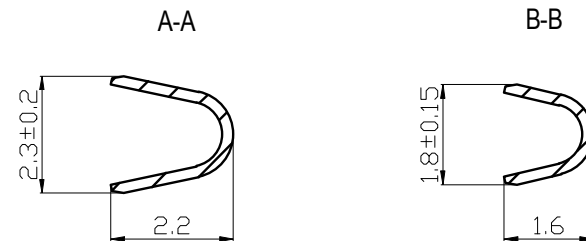
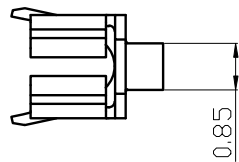
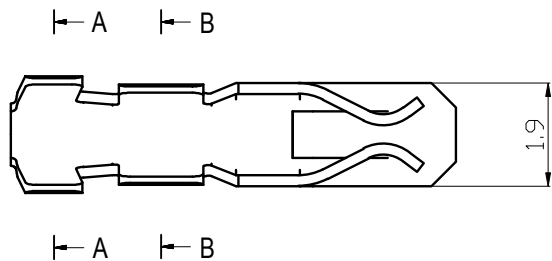





4P~5P

Poles	Part No.		Dimensions		
			A	B	C
2	WW2508-H02	SMH250-2Y	2.5	7.2	3
3	WW2508-H03	SMH250-3Y	5	9.7	3
4	WW2508-H04	SMH250-4Y	7.5	12.2	4.8
5	WW2508-H05	SMH250-5Y	10	14.7	4.8
6	WW2508-H06	SMH250-6Y	12.5	17.2	10
7	WW2508-H08	SMH250-7Y	15	19.7	10
8	WW2508-H08	SMH250-8Y	17.5	22.2	12.5
9	WW2508-H09	SMH250-9Y	20	24.7	12.5
10	WW2508-H10	SMH250-10Y	22.5	27.2	15
11	WW2508-H11	SMH250-11Y	25	29.7	15
12	WW2508-H12	SMH250-12Y	27.5	32.2	17.5
13	WW2508-H13	SMH250-13Y	30	34.7	17.5
14	WW2508-H14	SMH250-14Y	32.5	37.2	17.5
15	WW2508-H15	SMH250-15Y	35	39.7	17.5

1	Housing	PA66(UL94V-0/V-2)	1	White					
No.	Item/Material No.	Material	QTY	Remark					
Unmarked Tolerance		 Yueqing Hegxing Electronics Co., Ltd							
X. ° ±3° X. X° ±0.5°									
>0-3	>3-18	>18-50	>50-120	Unit	Scale	Design Unit	Size	Part No.	
±0.12	±0.15	±0.3	±0.5	mm	—	Metric	A4		
Draw	Review	Approve	Material	Drawing No.	Part No.				
				Item	SMH250-NY				

YST025 Type Terminal



1	Terminal	Phospher Bronze	1						
No.	Item/Material No.	Material	QTY	Remark					
Unmarked Tolerance		 Yueqing Hegxing Electronics Co., Ltd							
X. ° ±3°	X. X° ±0.5°								
>0-3	>3-18	>18-50	>50-120	Unit	Scale	Design Unit	Size	Part No.	 
±0.12	±0.15	±0.3	±0.5	mm	—	Metric	A4		
Draw	Review	Approve	Material	Drawing No.			Part No.		
				Item	YST025				